

REVISION HISTORY						
ECN	SHT	ZONE	REV	DESCRIPTION	DATE	APPROVED
72539			NC	RELEASED	9/21/18	L. Lonski

This print and associated documents and the contained information are the confidential property of CarlisleIT. Disclosure of, and/or reproduction of, all or part thereof or manufacture of any part from information contained on this print not specifically permitted by CarlisleIT in writing is forbidden.

**** EXPORT CONTROLLED DOCUMENT - EAR ****
 The information in this document is subject to the Export Controls in Accordance with the Export Administration Regulations. Diversion Contrary to U.S. Law is prohibited.

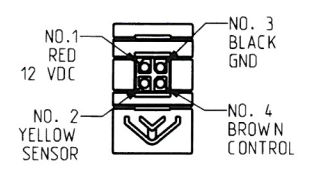
NOTES: UNLESS OTHERWISE SPECIFIED

GENERAL NOTES:

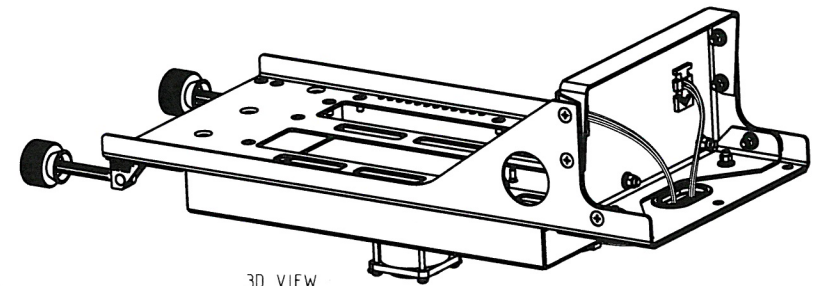
- DIMENSIONS AND TOLERANCES PER ASME Y14.5M-1994.
- DESIGNED TO MEET THE APPLICABLE REQUIREMENTS OF THE FOLLOWING:
 - RTCA/DO-160G ENVIRONMENTAL TEST CONDITIONS:
 - TEMPERATURE: CAT F2
 - ALTITUDE: CAT F2
 - TEMP VARIATION: CAT B
 - HUMIDITY: CAT B
 - OPERATIONAL SHOCK: CAT B
 - CRASH SAFETY: CAT B
FIXED WING TRANSPORT A/C. RANDOM ORIENTATION
 - VIBRATION: CAT S, CURVES C, L, M AND Y
 - EXPLOSION PROOFNESS: CAT E
 - WATERPROOFNESS: CAT Y
 - FLUIDS SUSCEPTIBILITY: CAT X
 - SAND AND DUST: CAT D
 - FUNGUS: CAT F
 - MAGNETIC EFFECTS: CAT Z
 - POWER INPUT: CAT Z(I)
(WITH CAT A, 200ms INTERRUPT)
 - VOLTAGE SPIKE: CAT A
 - AUDIO SUSCEPTIBILITY: CAT Z
 - INDUCED SIGNAL SUSCEPTIBILITY: CAT ZC
 - RADIO FREQUENCY SUSCEPTIBILITY: CAT RR
 - RF EMISSION: CAT M
 - LIGHTNING-INDUCED SUSCEPTIBILITY: CAT A1XXXX
 - LIGHTNING DIRECT EFFECTS: CAT X
 - ICING: CAT X
 - ESD: CAT A
 - FLAMMABILITY: CAT C
- TRAY AND CONNECTOR PLATE FINISH: CLEAR CHEM FILM PER MIL-DTL-5541, TYPE II, CLASS 3.
- APPROXIMATE LOCATION OF CENTER OF GRAVITY SHOWN A ⊕.

INSTALLATION NOTES:

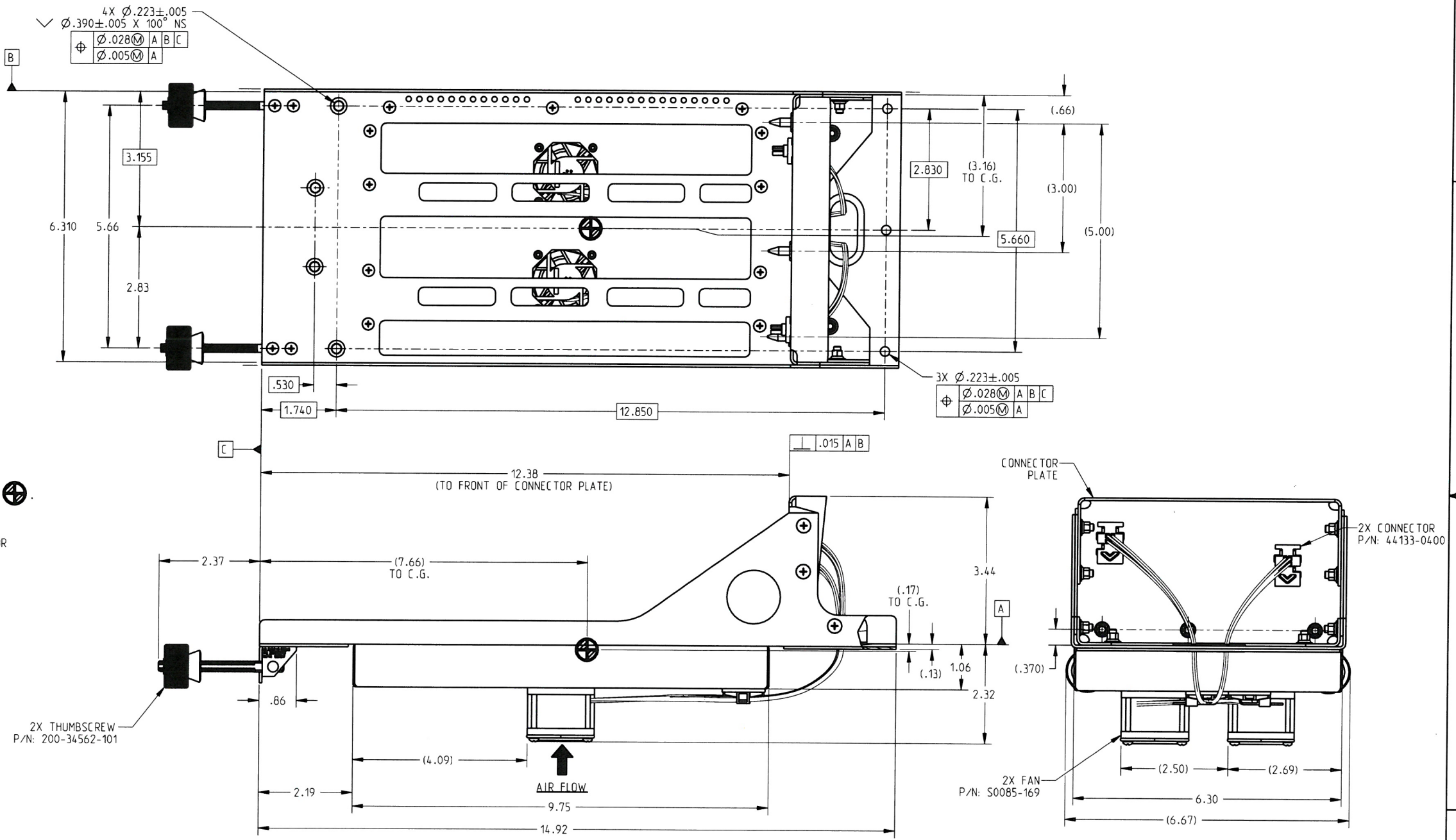
- FOR PRESSURIZED APPLICATION ONLY. NOT RECOMMENDED FOR INSTALLATION IN UNPRESSURIZED AREAS.
- ELECTRICAL SPECIFICATIONS (FAN):
 - 12 VDC
 - 0.31 AMPS (OPERATING)



FRONT VIEW
 FAN CONNECTOR WIRING
 P/N: 44133-0400
 SCALE 3/2



3D VIEW
 REF. ONLY
 SCALE 1/2



CarlisleIT PART NO.: 200-104624-101

PRODUCT SPECIFICATION DRAWING

THIRD ANGLE PROJECTION		WEIGHTS		UNLESS OTHERWISE SPECIFIED, DIMENSIONS ARE IN INCHES. DO NOT SCALE DRAWING. TOLERANCES ARE:		SIMILAR TO	
		-		FRACTIONS DECIMALS ANGULAR ± .01 ± 0.1 ± 3.0° .XX ± 0.03 .XXX ± 0.010 .XXXX ± 0.0020		DRAWN S SHAFFER 28-Aug-18 CHECKED B. W. 9/21/18 DESIGNED D. LONSKI 28-Aug-18 MANUFACTURING	
CAD GENERATED DOCUMENT ANY CHANGES TO THIS DOCUMENT MUST BE SUBMITTED TO THE DESIGN/DRAFTING DEPARTMENT FOR PROPER UPDATE		FINAL 184555		PRODUCTION		Carlisle Interconnect Technologies Franklin W.I. 53132 (414) 421-5300	
QTY REQ'D		FINAL / NEXT DRAWING		PROJECT NO.		TITLE TRAY ASSEMBLY, 5 MCU SPECIAL W/PINS & BOTTOM DC FANS	
APPLICATION		ADDITIONAL APPROVALS		DATE		SIZE D SCALE 3/4 LEVEL C DWG NO. 900-104969 SHEET 1 OF 2	

NAME: DANIEL LONSKI OBJECT: 900-104969_1 DATE: 21-Sep-18 14:39:49

8

7

6

5

4

3

DWG NO. 900-104969

SH 2 REV NC

1

This print and associated documents and the contained information are the confidential property of CarlisleIT. Disclosure of, and/or reproduction of, all or part thereof or manufacture of any part from information contained on this print not specifically permitted by CarlisleIT in writing is forbidden.

**** EAR CONTROLLED ****

REVISION HISTORY				
ZONE	REV.	DESCRIPTION	DATE	APPROVED
NC		SEE SHEET 1		

D

D

C

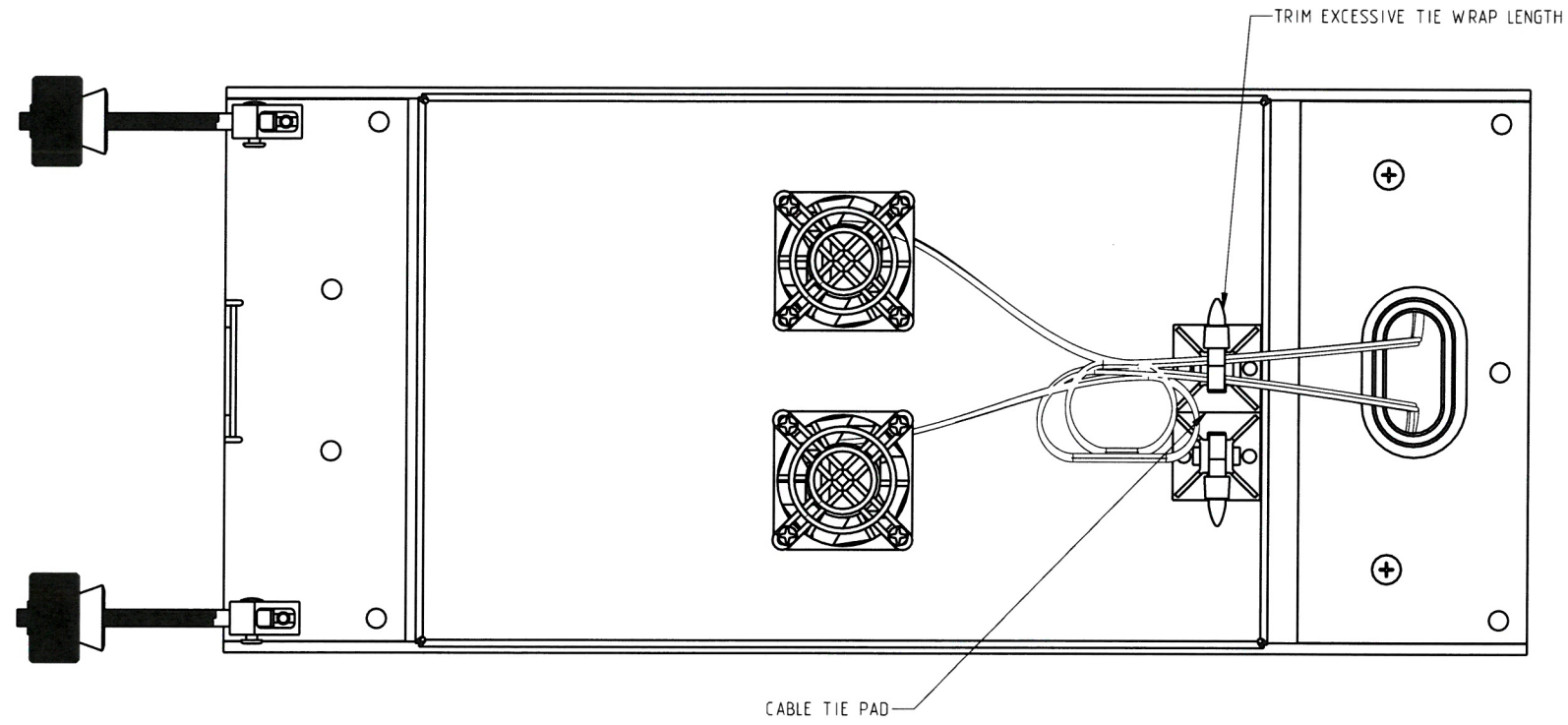
C

B

B

A

A



NAME: DANIEL LONSKI OBJECT: 900-104969_2 DATE: 21-Sep-18 14:44:37

8

7

6

5

4

3

2

1

CAD GENERATED DOCUMENT ANY CHANGES TO THIS DOCUMENT MUST BE SUBMITTED TO THE DESIGN/DRAFTING DEPARTMENT FOR PROPER UPDATE

CARLISLE Technologies
 Carlisle Interconnect Technologies
 Franklin WI, 53132
 (414) 421-5300

SIZE	CASE CODE	LEVEL	DWG NO.
D	66197	C	900-104969
SCALE	EFFECTIVITY	SHEET 2 OF 2	
3/4	-		