

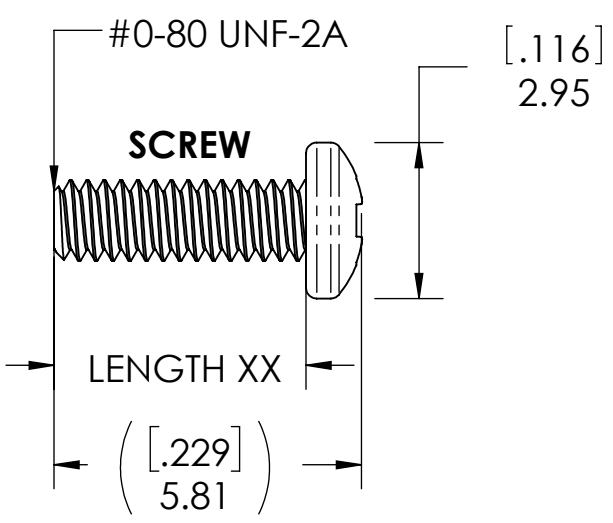
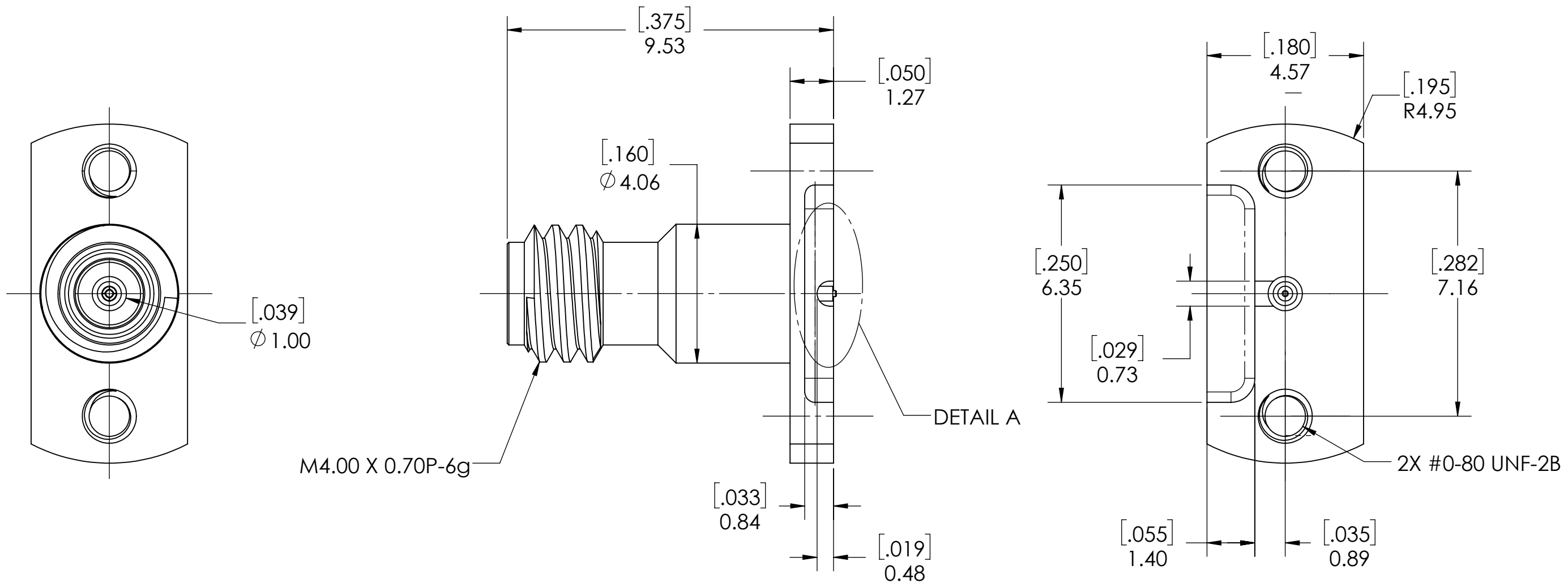
4

3

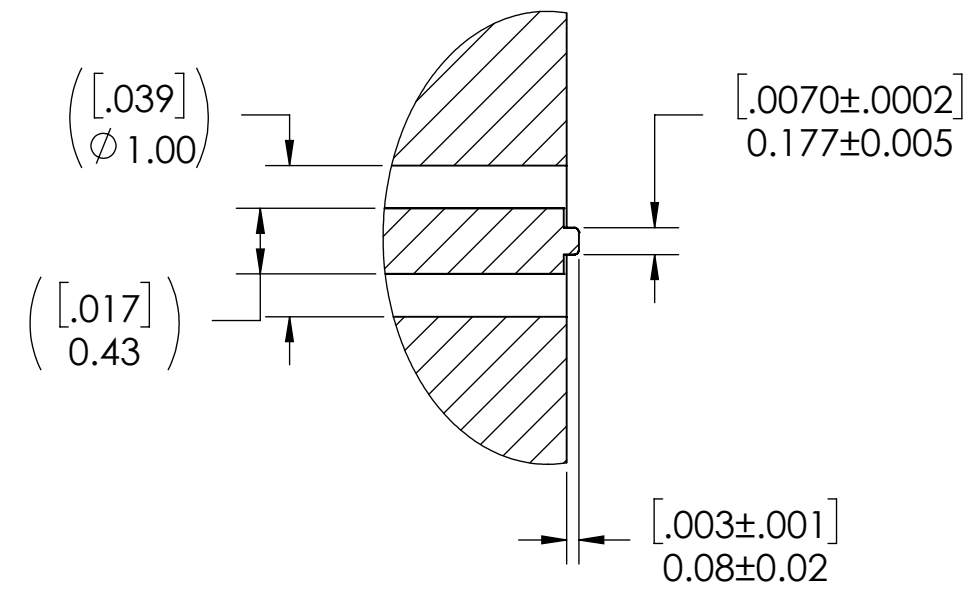
2

1

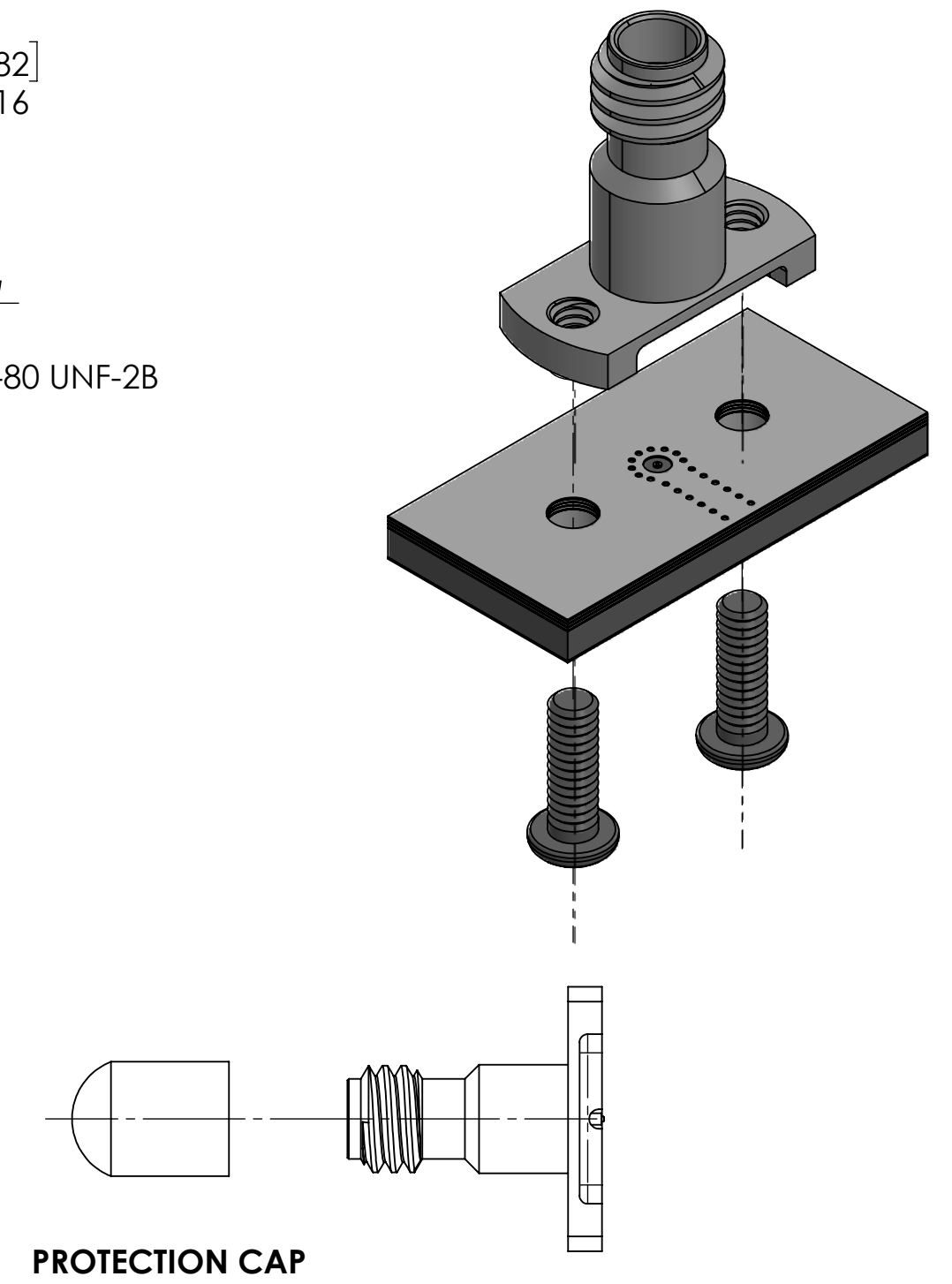
REVISIONS			
REV.	DESCRIPTION	DATE	DWN
-	INITIAL RELEASE	12.12.19	PV
1	ADD SCREW CONFIGS , P/N REVISED	8.27.20	FY
2	UPDATED TO 2 SPACER DESIGN	8.09.21	FY
3	ADD MOUNTING SCREWS INFO TO TABLE	9.15.21	JZ



PART NUMBER	SCREW LENGTH XX
TMB-V1F2-3LC-00	4.76mm
TMB-V1F2-3LC-01	6.35mm
TMB-V1F2-3LC-02	11.13mm



DETAIL A
SCALE 20:1



PROTECTION CAP

- NOTE(S):
1. These characteristics are typical and for reference.
 3. DYH: 55-2X003-44050A
 4. See sheet 2 for PCB interface definition (TBD).

MATERIAL(S):	ELECTRICAL(S):	MECHANICAL(S):	ENVIRONMENTAL(S):
Body: Stainless Steel Center Conductor: Beryllium Copper Insulator: PCTFE, white RoHS Compliant Protective Cap: Soft PVC Color: Green Mounting Screws: Stainless Steel	Impedance: 50 Ohms Nominal VSWR: 1.5:1 max at 110 GHz IL: 1.26dB max AT 110GHz Working Voltage: 400 Vrms max @ Sea Level Dielectric Withstand Voltage: 500 Vrms max. Insulation Resistance: 1000 Megaohms min. Contact Resistance: Center Contact: 4.0 Milliohms max Outer Contact: 0.2 Milliohms max	Mating Characteristics: Interface per MIL-STD-348 Force to Engage & Disengage: Torque: 2 inch-pounds max Longitudinal Force: NA Connector Durability: 500 Cycles min. Permeability: Less than 2.0 mu. Center Contact Retention: Axial Force: 6 pounds min. Radial Force: NA	Temperature Range: -55 °C to +85 °C Moisture Resistance: MIL-STD-202, Method 103, Test Condition B Corrosion: MIL-STD-202, Method 101, Test Condition B Vibration: MIL-STD-202, Method 204, Test Condition A Shock: MIL-STD-202, Method 213, Test Condition 1

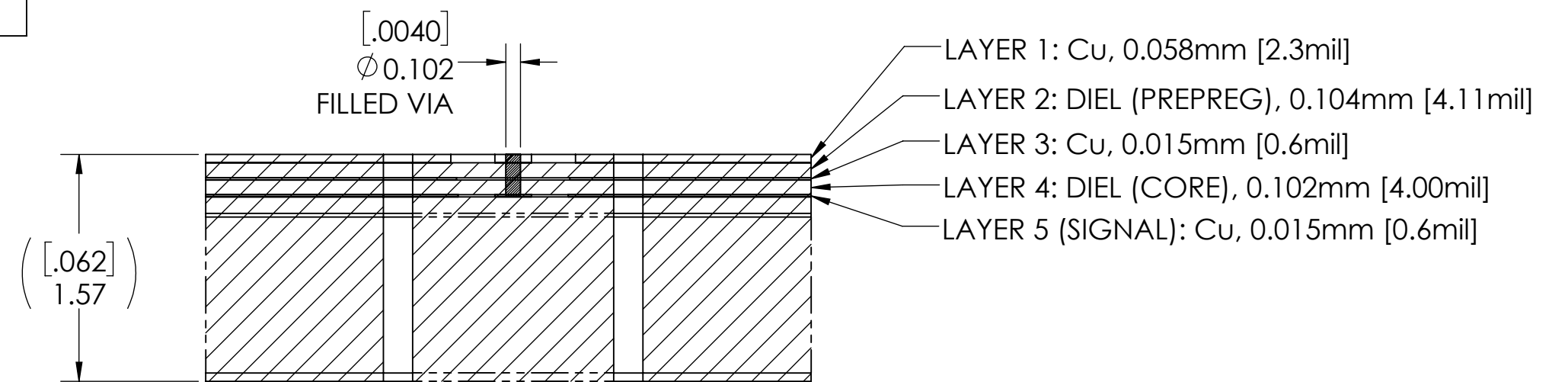
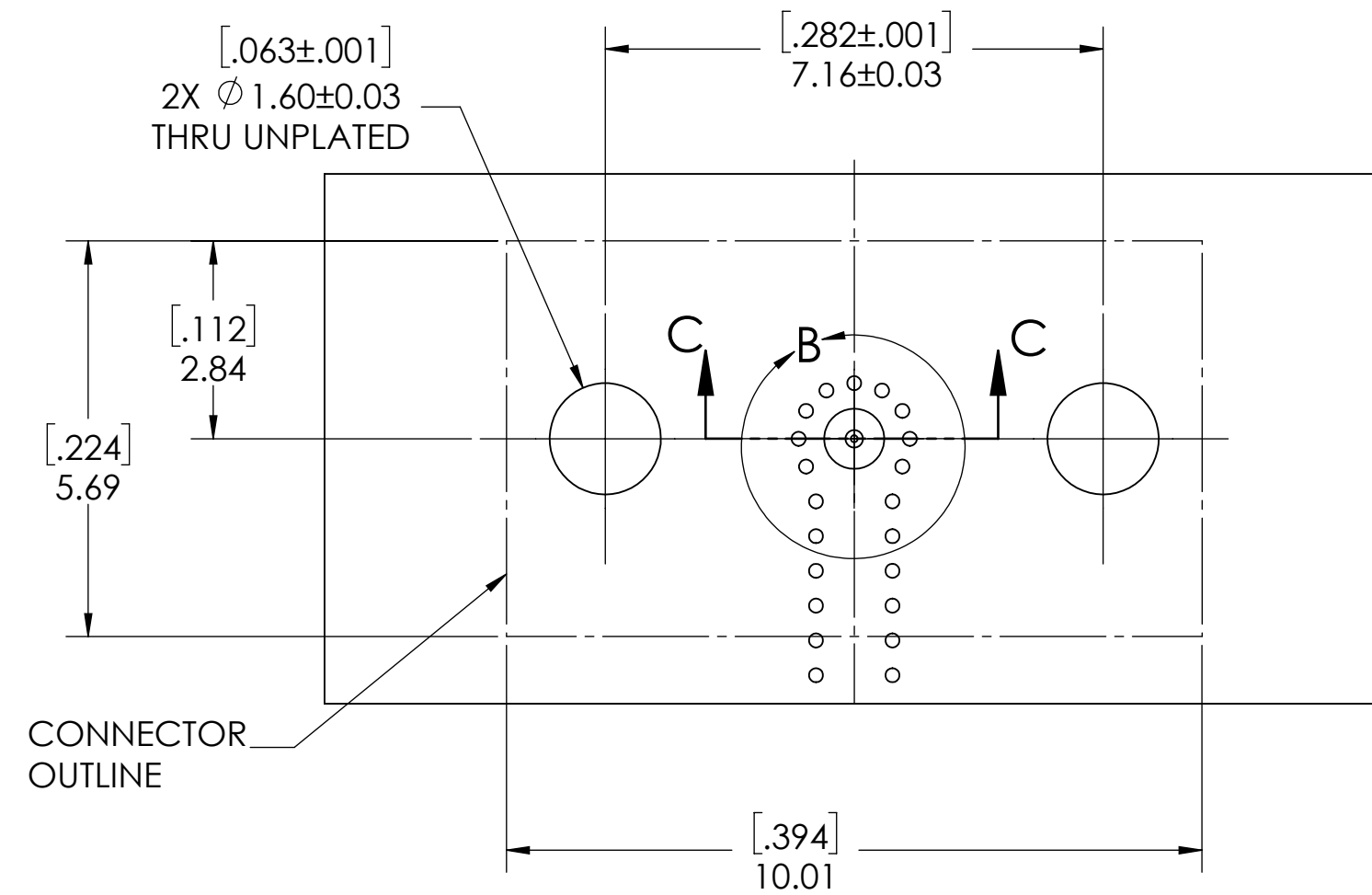
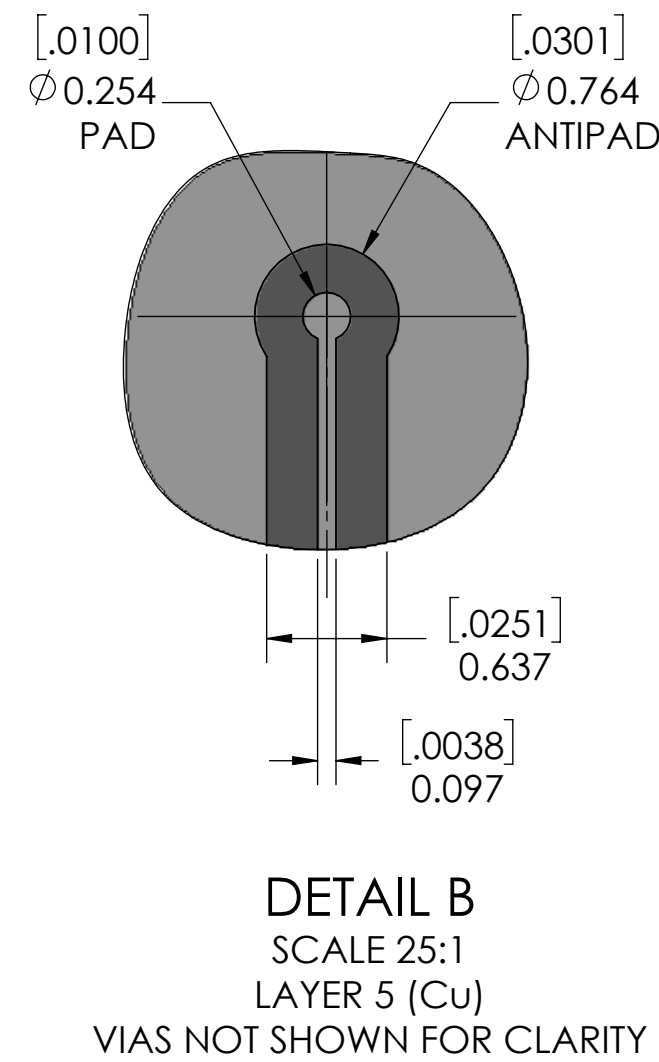
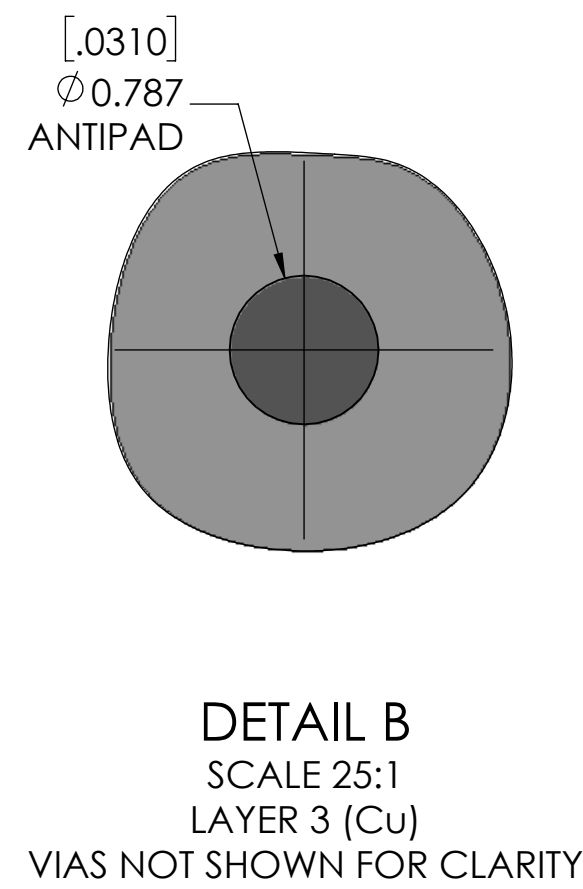
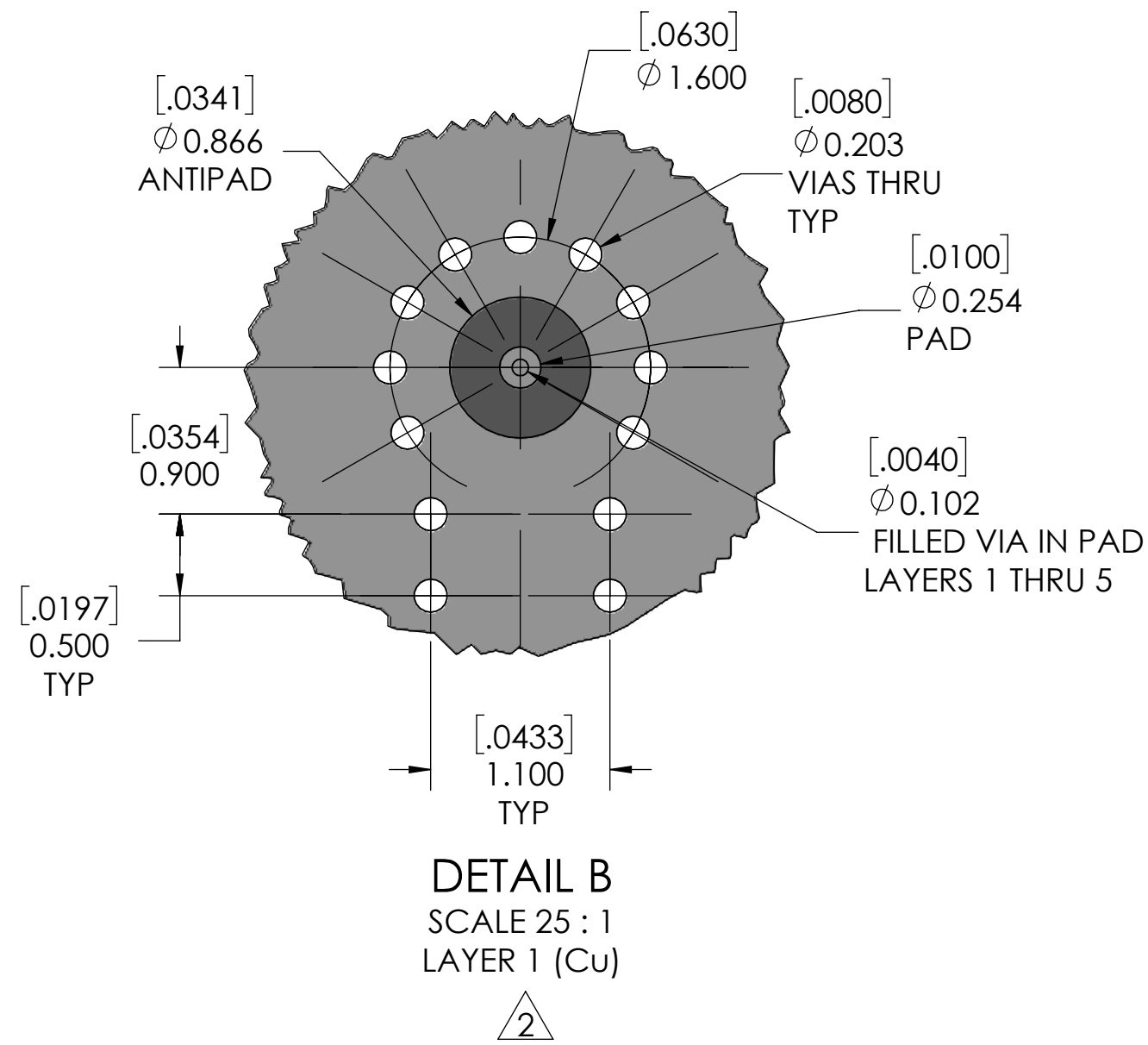
FINISH(ES):	APPLICABLE CARLISLE IT DOCUMENTS	TOLERANCES AND NOTES	APPROVAL	INITIALS	DATE																		
Body: Passivated Center Conductor: Gold Plating Mounting Screws: Passivated	<table border="1"> <thead> <tr> <th>WORK STANDARD</th> <th>PROD INSTRUC</th> <th>ASSY INSTRUC</th> </tr> </thead> <tbody> <tr> <td>NA</td> <td>NA</td> <td>NA</td> </tr> </tbody> </table>	WORK STANDARD	PROD INSTRUC	ASSY INSTRUC	NA	NA	NA	EXCEPT AS NOTED THIRD ANGLE PROJECTION SCALE 8:1 DIMENSIONS ARE IN [INCHES] MM ANGLES ±2° .XX DECIMALS ±.063 .XXX DECIMALS ±.01	<table border="1"> <tr> <td>DRAWN BY</td> <td>PV</td> <td>12.12.19</td> </tr> <tr> <td>CHECKED BY</td> <td></td> <td></td> </tr> <tr> <td>DESIGN ENG</td> <td></td> <td></td> </tr> <tr> <td>APPR BY</td> <td></td> <td></td> </tr> </table>	DRAWN BY	PV	12.12.19	CHECKED BY			DESIGN ENG			APPR BY				
WORK STANDARD	PROD INSTRUC	ASSY INSTRUC																					
NA	NA	NA																					
DRAWN BY	PV	12.12.19																					
CHECKED BY																							
DESIGN ENG																							
APPR BY																							
<table border="1"> <tr> <td colspan="2" rowspan="2"> Dongguan City, Guangdong P.R. China 523533 </td> <td colspan="2">TITLE</td> </tr> <tr> <td colspan="2">1.00mm, FEMALE, 2 HOLE FLANGE, POST CONTACT, CPW</td> </tr> <tr> <td>SCALE</td> <td>SUB-DIRECTORY/</td> <td rowspan="2">SHEET 1 OF 1</td> <td rowspan="2">REV. 3</td> </tr> <tr> <td>8:1</td> <td>OUTLINE/</td> </tr> <tr> <td>SIZE</td> <td>DRAWING NO.</td> <td colspan="2">TMB-V1F2-3LC-0X</td> </tr> </table>						 Dongguan City, Guangdong P.R. China 523533		TITLE		1.00mm, FEMALE, 2 HOLE FLANGE, POST CONTACT, CPW		SCALE	SUB-DIRECTORY/	SHEET 1 OF 1	REV. 3	8:1	OUTLINE/	SIZE	DRAWING NO.	TMB-V1F2-3LC-0X			
 Dongguan City, Guangdong P.R. China 523533		TITLE																					
		1.00mm, FEMALE, 2 HOLE FLANGE, POST CONTACT, CPW																					
SCALE	SUB-DIRECTORY/	SHEET 1 OF 1	REV. 3																				
8:1	OUTLINE/																						
SIZE	DRAWING NO.	TMB-V1F2-3LC-0X																					

4

3

2

1



PCB LAYOUT
(FOR REFERENCE ONLY)

SECTION C-C
SCALE 25 : 1
PCB LAYER DEFINITION

SCALE	SUB-DIRECTORY/		SHEET 2 OF 2
10:1			
SIZE	CAGE CODE	DRAWING NO.	REV.
C		TMB-V1F2-3LC-0X	3