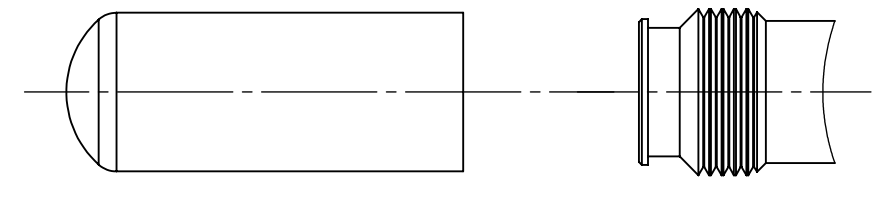
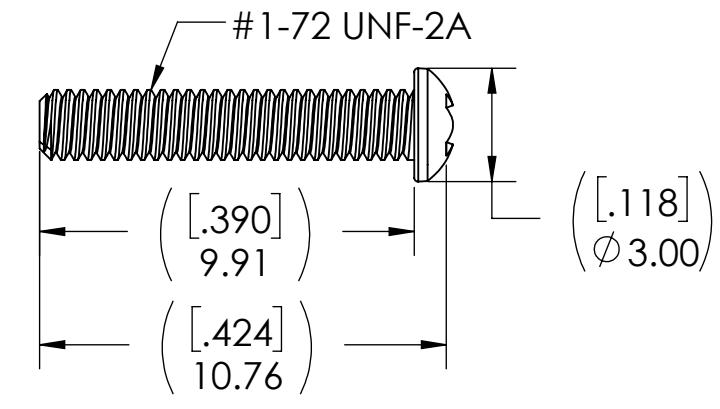
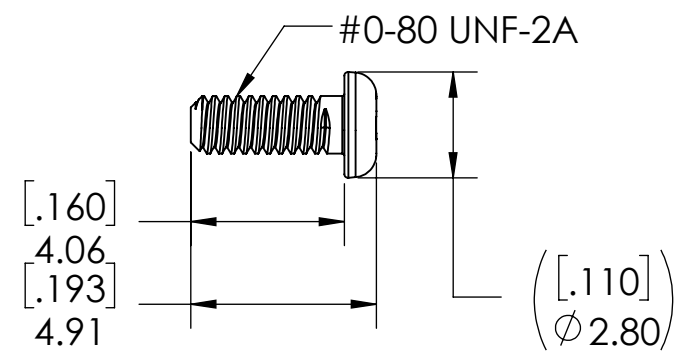
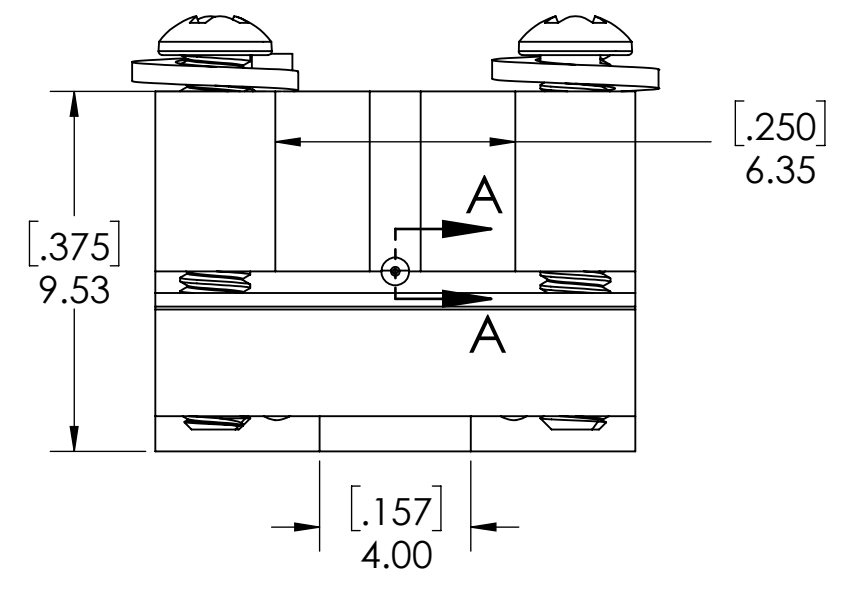
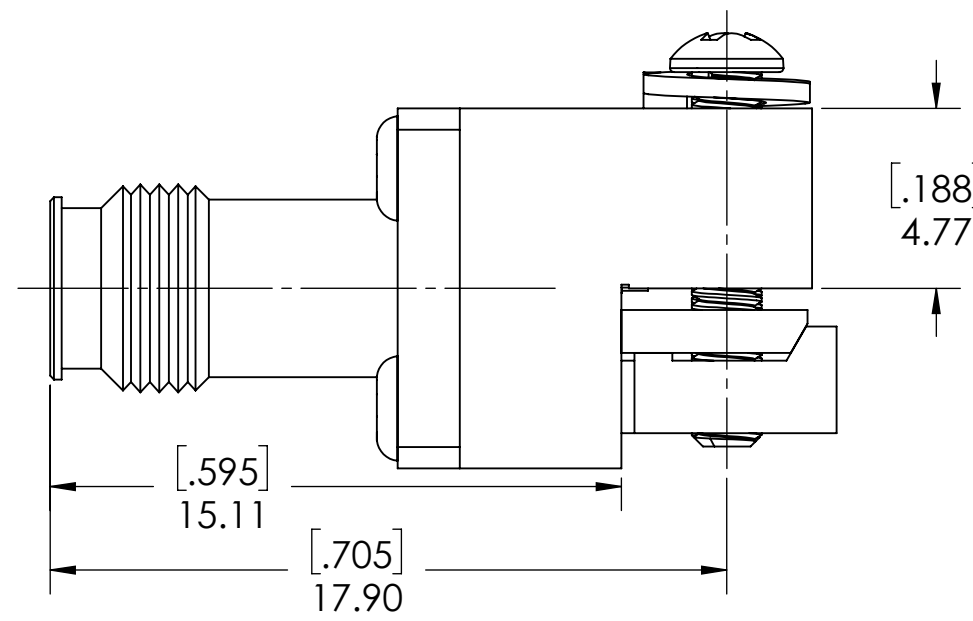
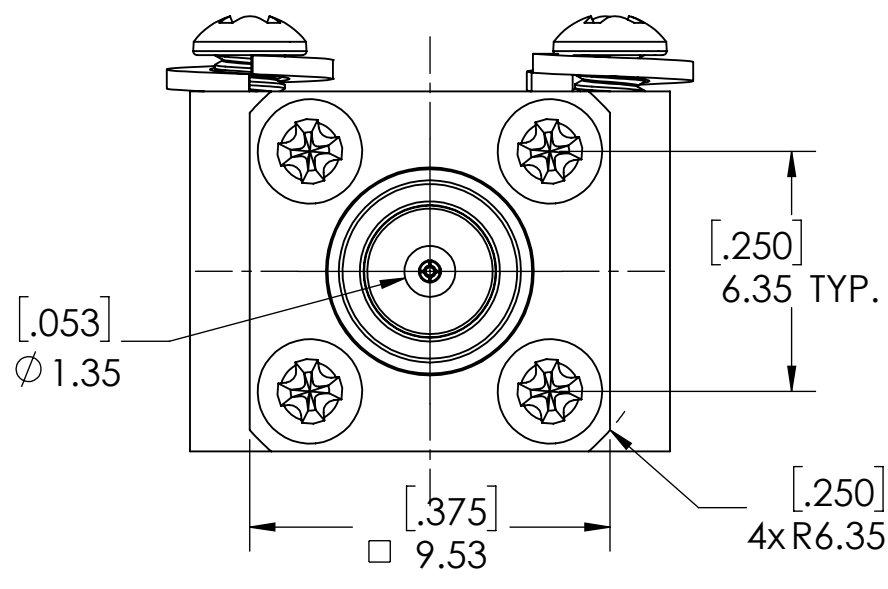
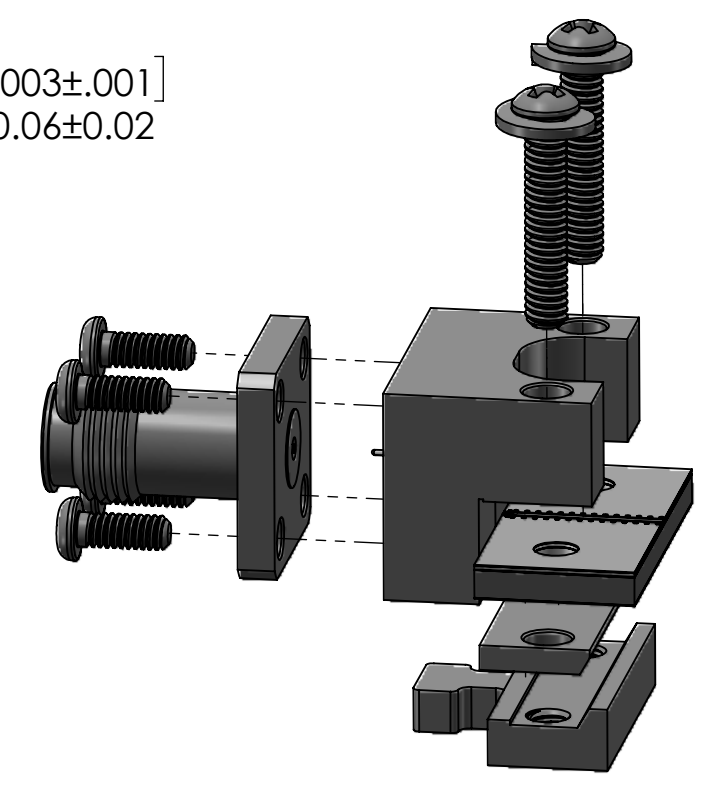
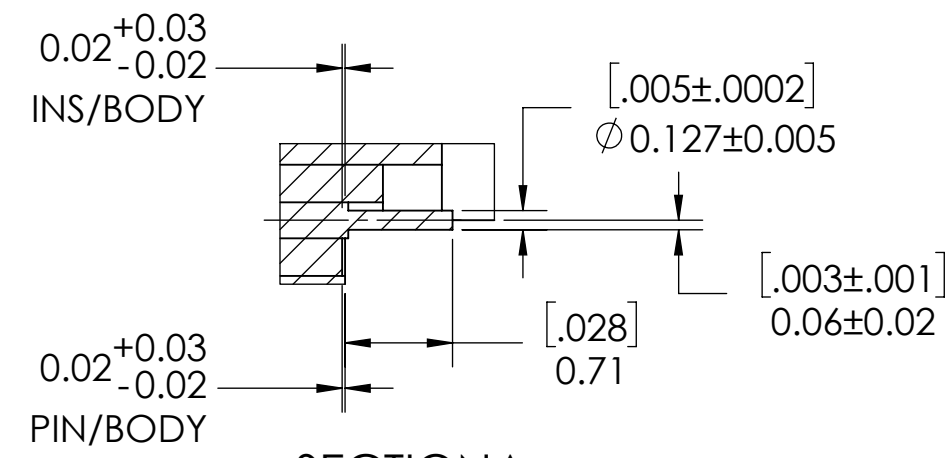
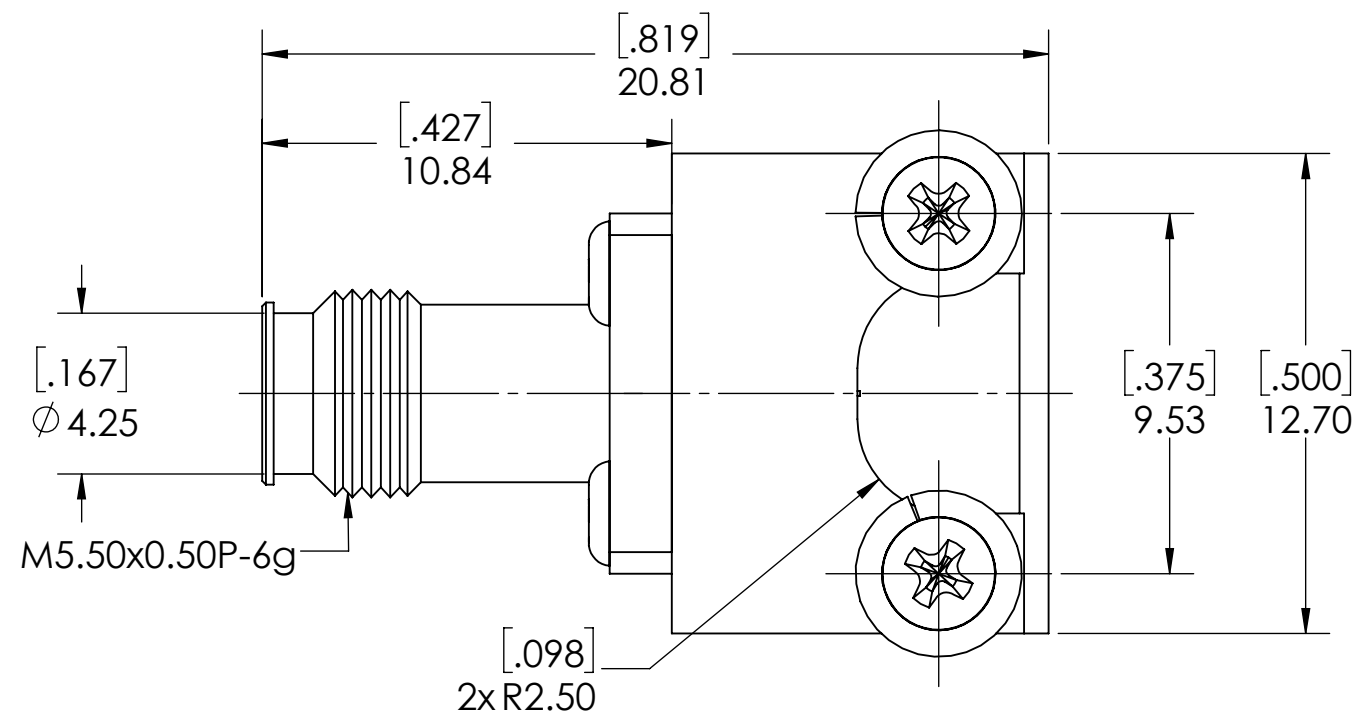




REVISIONS			
REV.	DESCRIPTION	DATE	DWN
A	RELIMINARY RELEASED	24.Jun.21	James
B	ADD DIMENSION 0.06	3.Sep.21	James
C	REVISED TOLERANCE IN SECTION A	8.Sep.21	James
D	ADD MOUNTING SCREWS INFO TO TABLE	16.Sep.21	James



NOTE(S):
 1. These characteristics are typical and for reference.
 2. See sheet 2 for PCB definition.

MATERIAL(S):	ELECTRICAL(S):	MECHANICAL(S):	ENVIRONMENTAL(S):
Body: Stainless Steel Center Conductor: Beryllium Copper Insulator: Insulator 1: PCTFE, white Insulator 2: PTFE, white RoHS Compliant Protective Cap: Soft PVC Color: PINK Mounting Screws: Stainless Steel	Impedance: 50 Ohms Nominal Frequency Range: DC to 90 GHz VSWR: 1.3:1 max at 90 GHz IL: 0.57dB max AT 90GHz Working Voltage: 400 Vrms max @ Sea Level Dielectric Withstand Voltage: 500 Vrms max. Insulation Resistance: 1000 Megaohms min. Contact Resistance: Center Contact: 4.0 Milliohms max Outer Contact: 0.2 Milliohms max	Mating Characteristics: Interface per MIL-STD-348 Force to Engage & Disengage: Torque: 2 inch-pounds max Longitudinal Force: NA Connector Durability: 500 Cycles min. Permeability: Less than 2.0 mu. Center Contact Retention: Axial Force: 6 pounds min. Radial Force: NA	Temperature Range: -55°C to +165°C Moisture Resistance: MIL-STD-202, Method 103, Test Condition B Corrosion: MIL-STD-202, Method 101, Test Condition B Vibration: MIL-STD-202, Method 204, Test Condition A Shock: MIL-STD-202, Method 213, Test Condition 1

FINISH(ES):	APPLICABLE CARLISLE IT DOCUMENTS			TOLERANCES AND NOTES EXCEPT AS NOTED	APPROVAL	INITIALS	DATE	CARLISLE INTERCONNECT TECHNOLOGIES Dongguan City, Guangdong P.R. China 523533
	WORK STANDARD	PROD INSTRUC	ASSY INSTRUC					
Body: Passivated Center Conductor: Gold Plating Mounting Screws: Passivated	NA	NA	NA	THIRD ANGLE PROJECTION SCALE 5:1 DIMENSIONS ARE IN [INCHES] MM ANGLES ±2° .XX DECIMALS ±.063 .XXX DECIMALS ±.01	DRAWN BY: James CHECKED BY: DESIGN ENG: APPR BY:	James	24.Jun.21	TITLE: Edge Launch, JACK 4-HOLE FLANGE, Solderless, 1.35mm, Connector SCALE 5:1 SUB-DIRECTORY/_OUTLINE/ SHEET 1 OF 1 DRAWING NO. TMB-E3F4-1L1-01 REV. D

