

CONNECTOR PARTS

CENTER CONTACT	CuBe	gold plated
OUTER CONTACT PCB SIDE	CuBe or equiv.	gold plated
OUTER CONTACT RPC-1.85 SIDE	CuBe or equiv.	gold plated
DIELECTRIC	PEEK / PTFE	

ELECTRICAL DATA

IMPEDANCE	50Ω
FREQUENCY	DC TO 34 GHz
RETURN LOSS	≥ 21 dB, DC TO 26.5 GHz ≥ 19 dB, 26.5 TO 34GHz

INSERTION LOSS	≤ 0.04 X SQR RT f(GHz) dB
INSULATION RESISTANCE	≥ 5 GΩ
TEST VOLTAGE	750 V rms
WORKING VOLTAGE	250 V rms

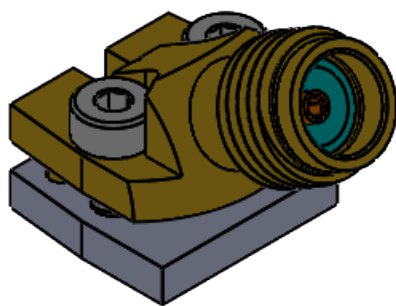
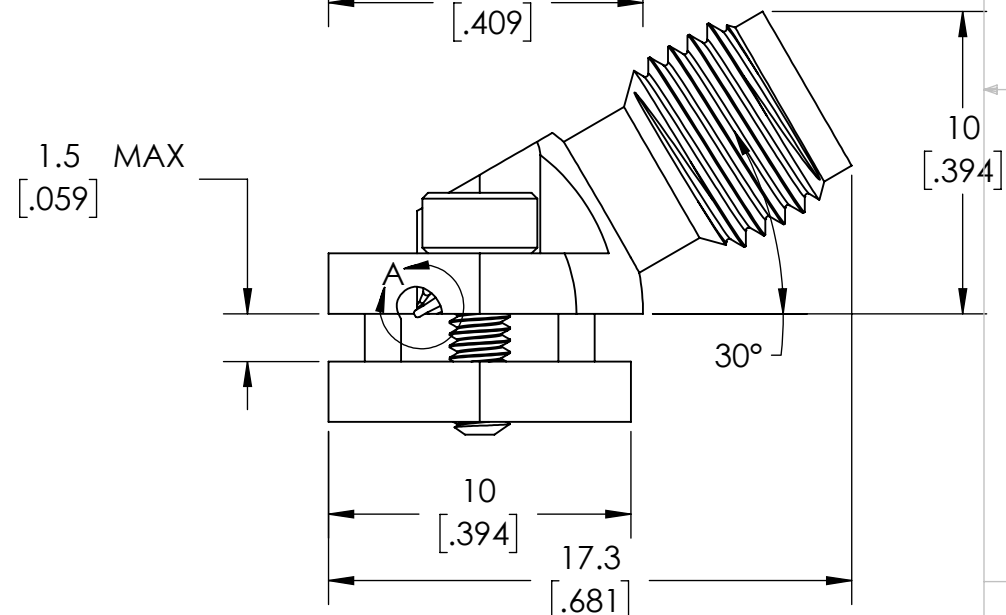
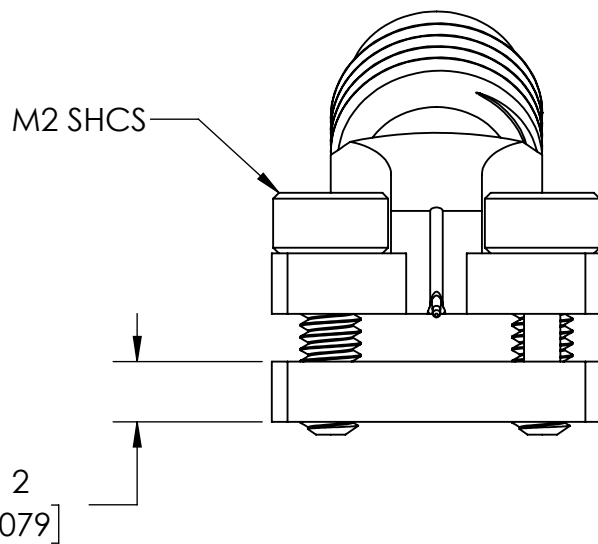
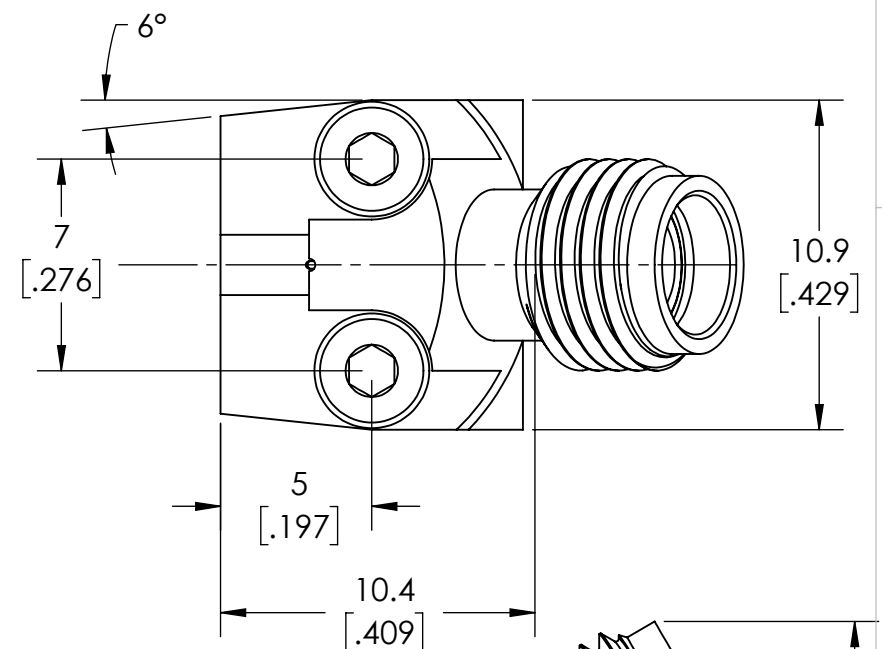
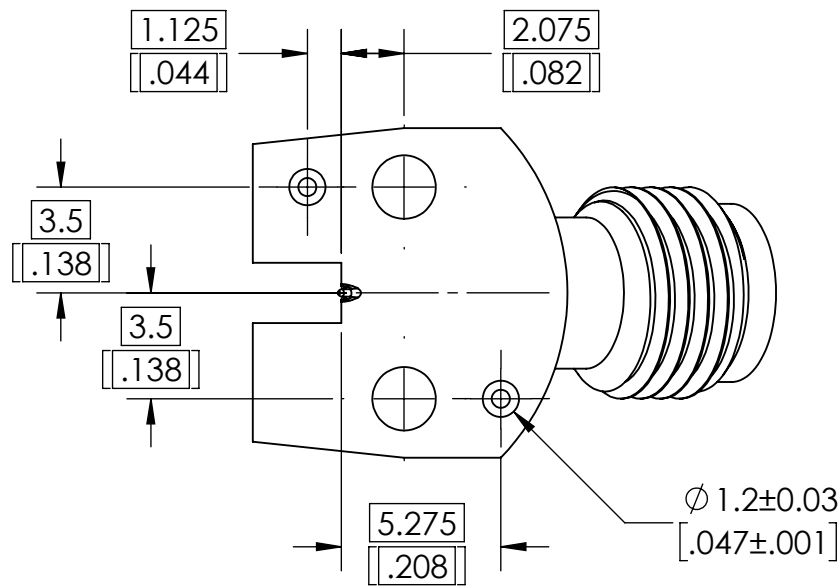
MECHANICAL DATA

MATING CYCLES PCB SIDE	≥300
MATING CYCLES RPC-1.85 SIDE	≥500
COUPLING TEST RPC-1.85	1.65 Nm
RECOMMENDED TORQUE ALLEN SCREW 1.5	0.20 Nm TO 0.30 Nm
PCB THICKNESS MAX.	1.5 mm TYPICAL; DIMENSION EXPANDABLE WITH LONGER SCREWS

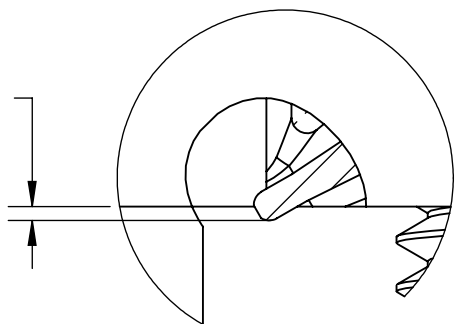
ENVIRONMENTAL DATA

TEMPERATURE RANGE	-40° C TO +85° C
THERMAL SHOCK	IEC 61169-1, SUBCLAUSE 9.4.4
CORROSION	IEC 61169-1, SUBCLAUSE 9.4.6
VIBRATION	IEC 61169-1, SUBCLAUSE 9.3.3
SHOCK	IEC 61169-1, SUBCLAUSE 9.3.14
MOISTURE RESISTANCE	IEC 61169-1, SUBCLAUSE 9.4.3
MAX SOLDERING TEMP	N/A (CONNECTOR IS ONLY SCREWED DOWN)
RoHS	COMPLIANT

REVISION HISTORY					
ECO	REV.	DESCRIPTION	DRAWN BY	APPROVAL	DATE
	00	INITIAL RELEASE	R BEDIENT	E SOUBH	11/17/2020



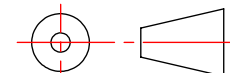
0.1⁰_{-0.06}
[.004⁺⁰_{-.002}]



DETAIL A
SCALE 16:1

DIMENSIONS ARE IN INCHES/MILLIMETERS ± TOLERANCES UNLESS OTHERWISE NOTED			
.XXX	.XXXX	ANGLE	FRACTIONS
0.003"	0.0005"	0.5	
[.076mm]	[.013mm]		
NEXT ASSY.		USED ON	
APPLICATION			

THIRD ANGLE PROJECTION



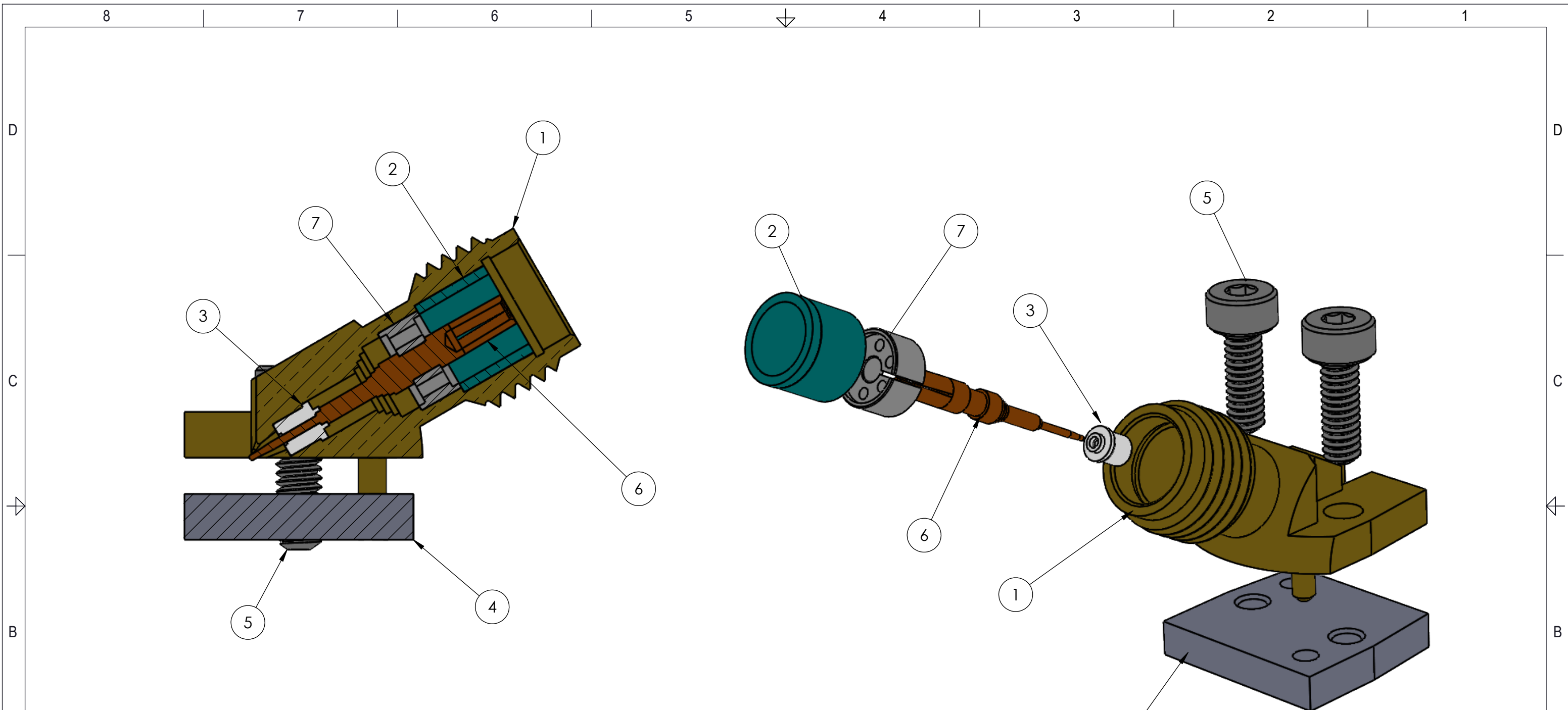
DESIGN ENGR:	R BEDIENT	11/17/2020
DESIGNED BY:	R BEDIENT	11/17/2020
PRODUCT:		
QUALITY:		
MFG:		



TITLE			
3.50 ANGLED CONNECTOR, JACK			
SIZE	CAGE CODE	CARLISLE NUMBER	REV
B	7M294	TM14-0142-00	00
SCALE: 4:1		DO NOT SCALE DRAWING	
		1 OF 4	

THE INFORMATION CONTAINED HEREIN IS PROPRIETARY TO CARLISLE, INC. AND SHALL IN NO WAY BE REPRODUCED OR DISCLOSED IN WHOLE OR IN PART OR USED FOR ANY DESIGN OR MANUFACTURE EXCEPT WHEN SUCH USER POSSESSES DIRECT, WRITTEN AUTHORIZATION FROM CARLISLE, INC.





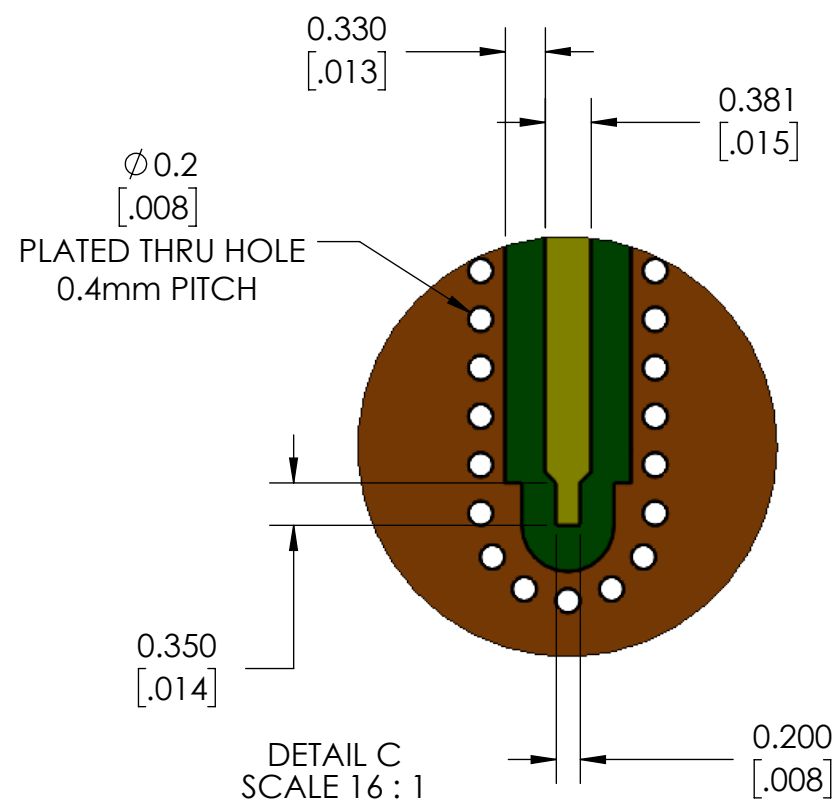
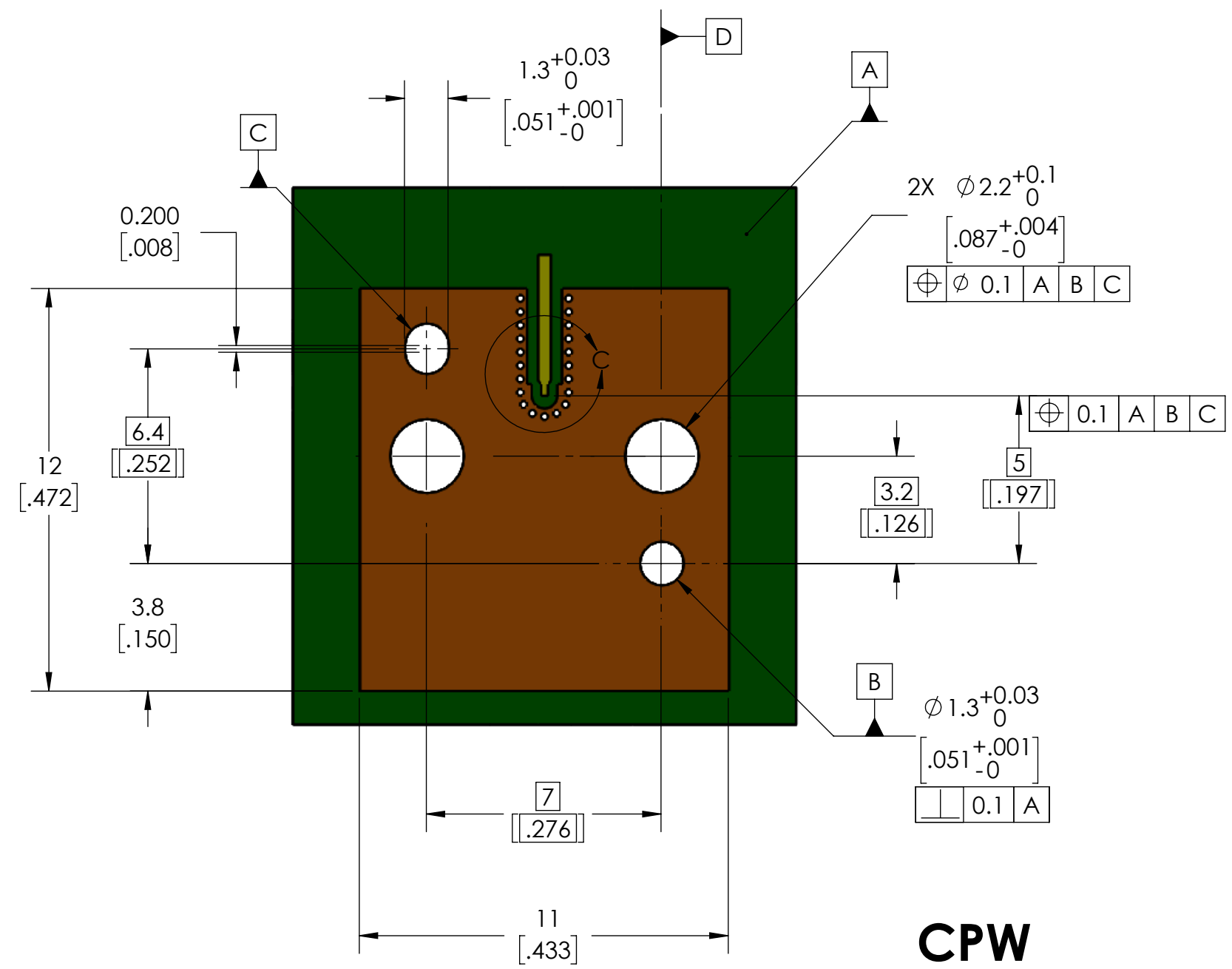
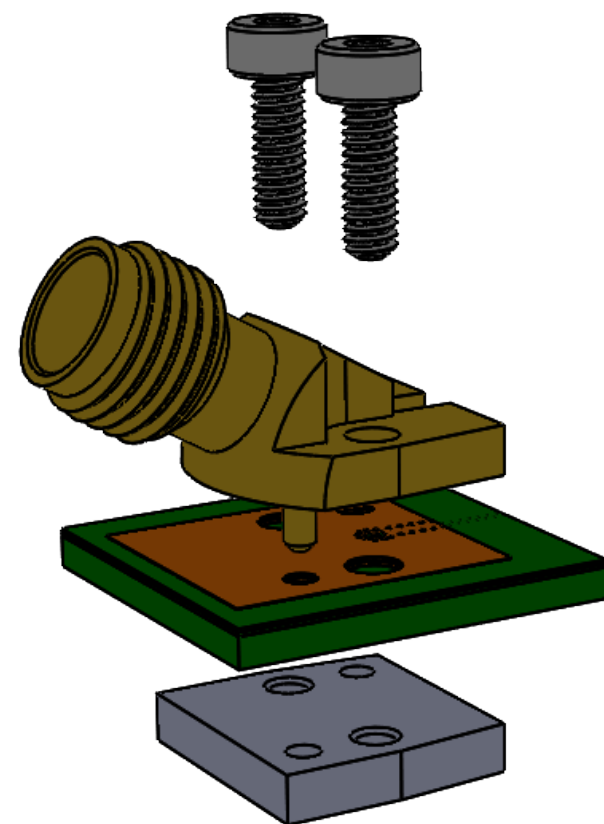
7	TM11-0570-00	INSULATOR, PTFE, ANGLED CONN. 3.50	1
6	TM11-0572-00	CENTER SOCKET, 3.50 ANGLED CONN.	1
5	92290A013	M2x0.4 x 6mm SHCS	2
4	TM11-0355-00	ANGLED CONN, CLAMP PLATE	1
3	TM11-0352-00	1.85 ANGLED CONN, INSULATOR, PEEK	1
2	TM11-0567-00	INSERT, INSULATOR RETAINER 3.50	1
1	TM11-0563-00	ANGLED CONN BODY, 3.50	1
ITEM NO.	PartNo	DESCRIPTION	QTY.



3.50 ANGLED CONNECTOR, JACK

SIZE	CAGE CODE	DRAWING NUMBER	REV
B	7M294	TM14-0142-00	00
SCALE: 6:1		PART NUMBER: TM14-0142-00	2 OF 4

THERE IS A WIDE VARIETY OF TRANSMISSIONLINE TOPOLOGIES AND PCB-PARAMETERS LIKE PERMITTIVITY, SUBSTRATE THICKNESS AND ALSO THE BOARD-STACKUP APPLIED BY CUSTOMERS. THESE PARAMETERS HAVE A STRONG IMPACT ON THE HIGH FREQUENCY PERFORMANCE OF THE MOUNTED CONNECTOR. PLEASE NOTE, THAT THE GIVEN LAYOUT IS NOT OPTIMISED TO FIT ALL OF THE POSSIBLE BOARD CONFIGURATIONS REGARDING RF-PERFORMANCE. IN ORDER TO ASSURE OPTIMUM HIGH FREQUENCY PERFORMANCE OF THE CONNECTOR, AN RF-ANALYSIS OF THE CONNECTOR TO BOARD TRANSITION IS RECOMMENDED.



CPW



3.50 ANGLED CONNECTOR, JACK

SIZE	CAGE CODE	DRAWING NUMBER	REV
B	7M294	TM14-0142-00	00
SCALE: 6:1		PART NUMBER: TM14-0142-00	3 OF 4

