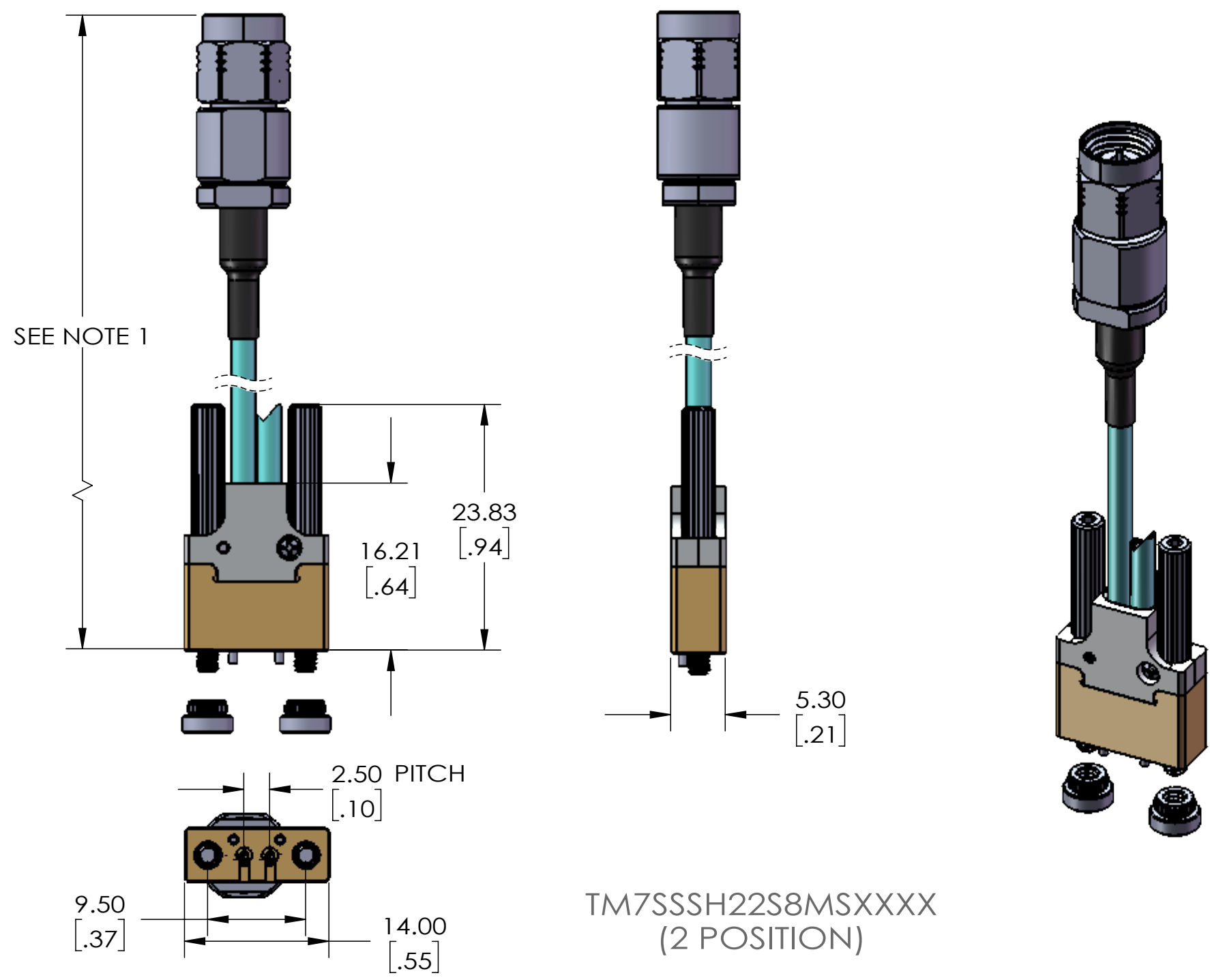


CONFIGURATION	ASSEMBLY PN, ref ①	CABLE ASSY PN, ref ①	PHASE MATCHING (pS)	PART NUMBER WITH CABLE LENGTH ORDERING INFORMATION
2 POSITION	TM7SSSH22S8MSXXX	TM7SX-H2S-8MS-XXX	±2	SEE SHEET 3
	TM7SSSH22S8MSXXXE	TM7SX-H2S-8MS-XXXE	±0.5	
	TM7SSSH22S8MSXXXD	TM7SX-H2S-8MS-XXXD	±1	
4 POSITION	TM7SSSH24S8MSXXX	TM7SX-H2S-8MS-XXX	±2	SEE SHEET 3
	TM7SSSH24S8MSXXXE	TM7SX-H2S-8MS-XXXE	±0.5	
	TM7SSSH24S8MSXXXD	TM7SX-H2S-8MS-XXXD	±1	
6 POSITION	TM7SSSH24S8MSXXX	TM7SX-H2S-8MS-XXX	±2	SEE SHEET 3
	TM7SSSH26S8MSXXXE	TM7SX-H2S-8MS-XXXE	±0.5	
	TM7SSSH26S8MSXXXD	TM7SX-H2S-8MS-XXXD	±1	
8 POSITION	TM7SSSH28S8MSXXX	TM7SX-H2S-8MS-XXX	±2	SEE SHEET 3
	TM7SSSH28S8MSXXXE	TM7SX-H2S-8MS-XXXE	±0.5	
	TM7SSSH28S8MSXXXD	TM7SX-H2S-8MS-XXXD	±1	
10 POSITION	TM7SSSH210S8MSXXX	TM7SX-H2S-8MS-XXX	±2	SEE SHEET 3
	TM7SSSH210S8MSXXXE	TM7SX-H2S-8MS-XXXE	±0.5	
	TM7SSSH210S8MSXXXD	TM7SX-H2S-8MS-XXXD	±1	

REVISIONS			
REV.	DESCRIPTION	DATE	BY
A	PRELIMINARY RELEASE	07.21.20	HT



- NOTE(S):
- ① "XXX" IN PART NO SPECIFIES CABLE LENGTH. SEE SHEET 3 FOR STANDARD LENGTHS.
 - CABLES ASSEMBLED IN PHASE MATCHED PAIRS, AS SHOWN.
 - CONFIGURATION 4, 6, 8 AND 10 POSITION SHOWN ON SHEET 2.
 - NUTS TO BE PACKED AND SHIPPED UN-ASSEMBLED
 - RECOMMENDED FOOTPRINT: SEE REFERENCE DRAWING "CHC2S-VERT-PCB"

MATERIAL(S):	ELECTRICAL(S):	MECHANICAL(S):	ENVIRONMENTAL(S):
<p>1.85mm connector: See 59-10005-44460 specification sheet.</p> <p>Core HC connector: Front Body, Rear Body: BeCu Alloy per ASTM B-196 Spring Pin: BeCu Alloy/Brass Alloy C3604B/ Phosphor Bronze Ground Slider & Nut: Brass Alloy C3604B Insulator: PTFE Dielectric: Ultem/ TPX Spring: Music Wire</p> <p>Housing body: Brass Alloy, UNS No. C36000 PER ASTM B-16, Clamp Shell: 6061-T651 Aluminum Alloy Dowel Pin, Screw & Clip: Stainless Steel.</p> <p>Cable: TM20-7S</p>	<p>Impedance: 50 Ohms Nominal Frequency Range: DC to 65 GHz VSWR: 1.25:1 DC to 26 GHz 1.40:1 26 to 40 GHz 1.60:1 40 to 65 GHz</p> <p>Insertion Loss: See table Working Voltage: 335 Vrms max @ Sea Level Test Voltage: 500 Vrms Insulation Resistance: 5000 MegOhms min. Contact Current: 1A DC max. Contact Resistance: Center Contact: 100 m Ω Phase: See Configurations Matched Pairs</p>	<p>Mating Characteristics: 1.85mm Interface per CarlisleIT CORE HC2 Interface per CarlisleIT</p> <p>Force to Engage: 1.85mm: 2 In-lbs max CoreHC2 (Individual): .85 Lbs Typ.</p> <p>Connector Durability: 1.85mm: 500 Cycles @ 12 cycles/min. max CoreHC2: 10,000 Cycles @ 12 cycles/min. max</p> <p>Permeability: Less than 2.0 mu. Coupling Proof Torque: 1.85mm: 15 in-lb</p>	<p>Temperature Range: -65°C to +125°C Thermal Shock: MIL-STD-202, Method 107, Test Condition F Moisture Resistance: MIL-STD-202, Method 106, Insulation resistance at least 200 MegaOhms within 5 minutes after removal from humidity. Corrosion: MIL-STD-202, Method 101, Test Condition C Vibration: MIL-STD-202, Method 204, Test Condition A, except 5g Peak Shock: MIL-STD-202, Method 213, Test Condition I, except 10g Peak</p>

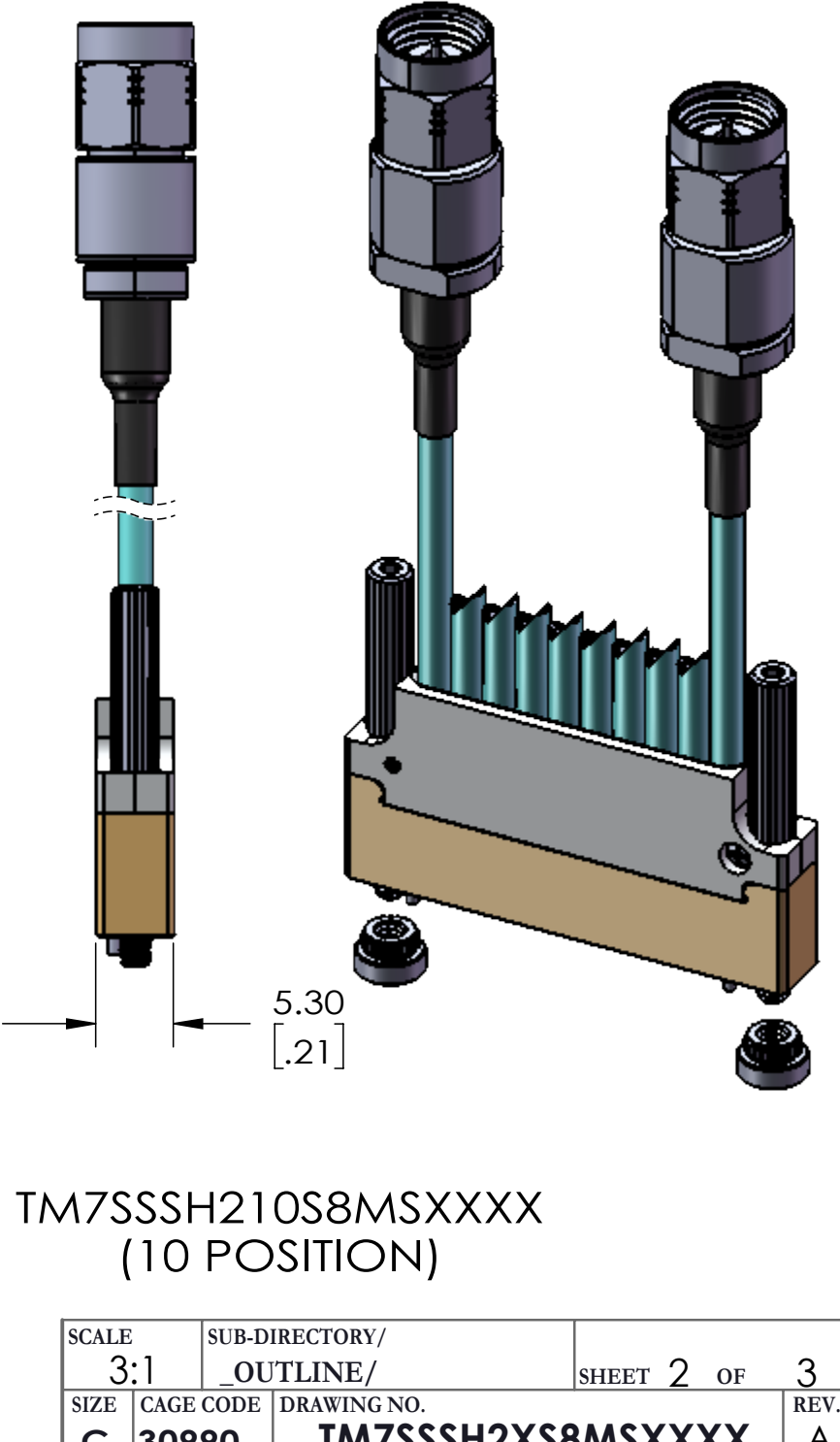
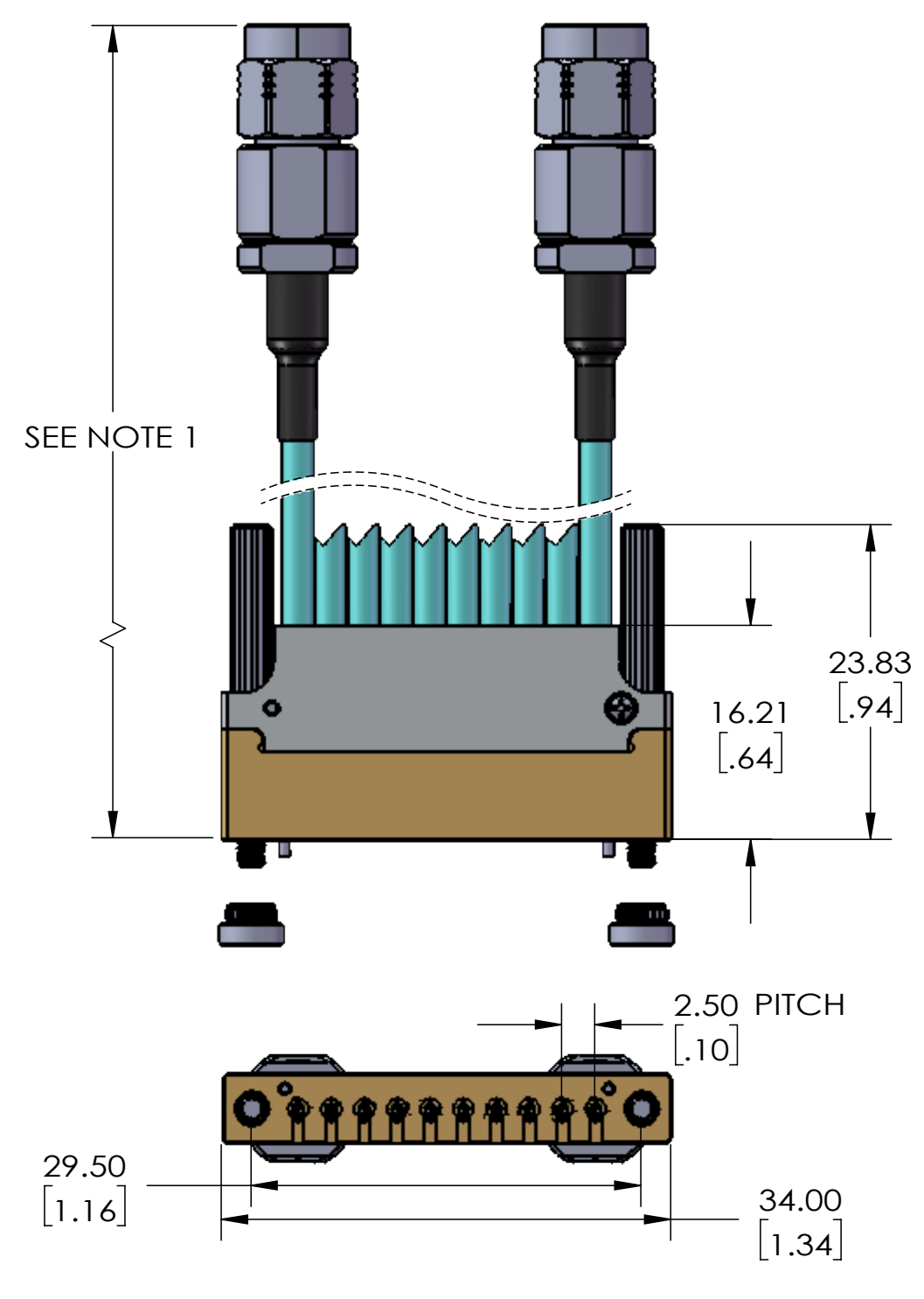
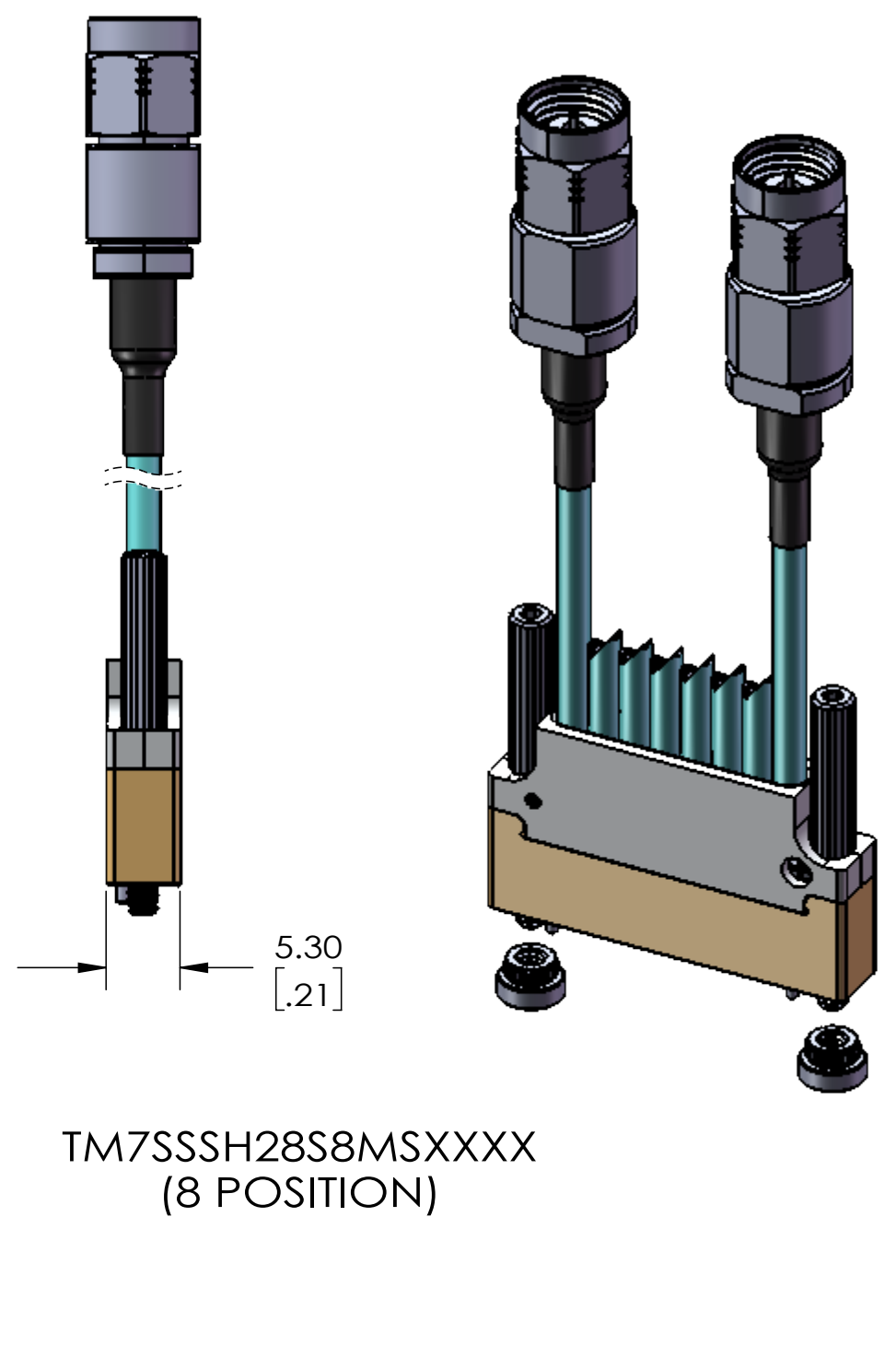
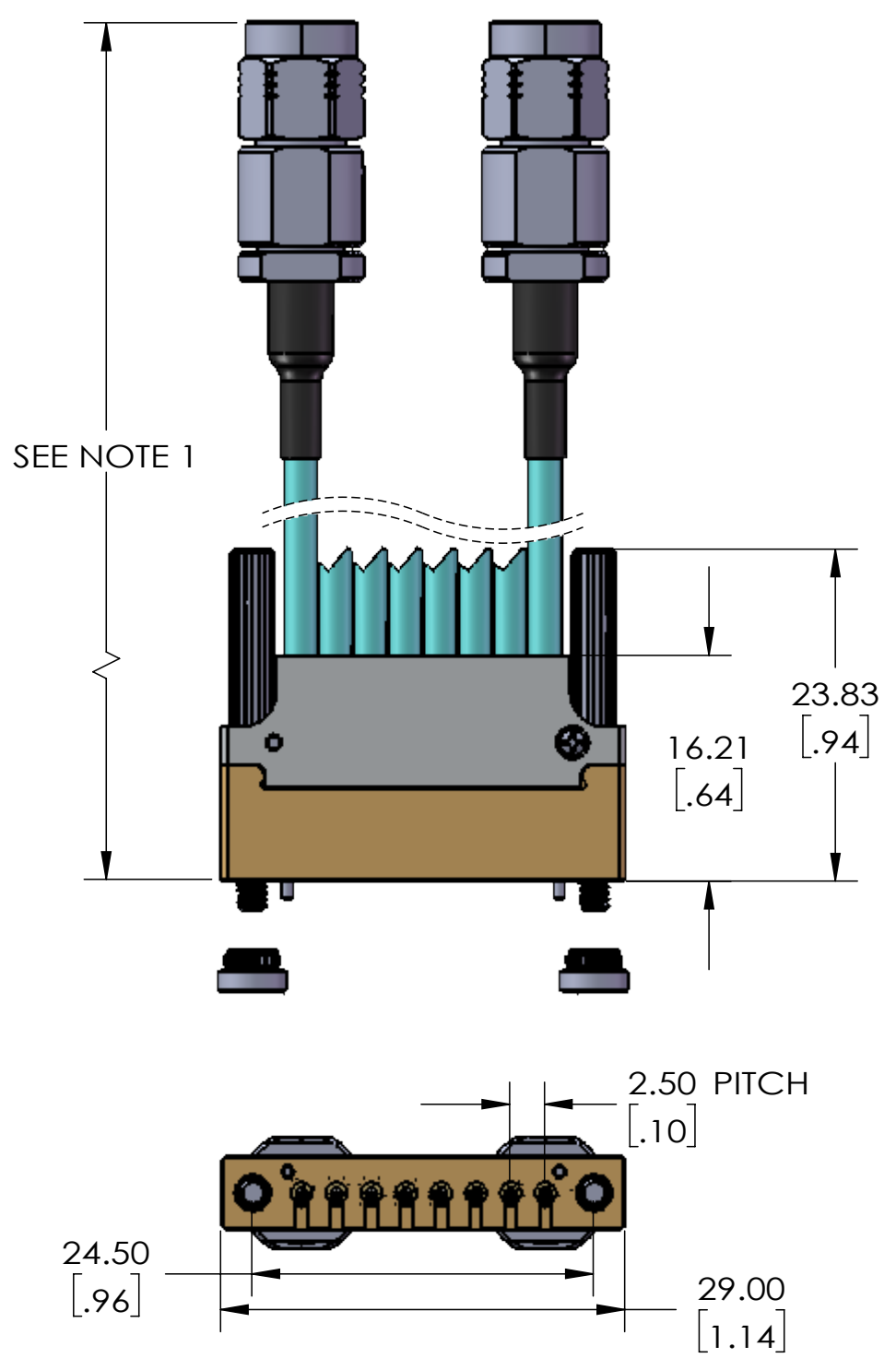
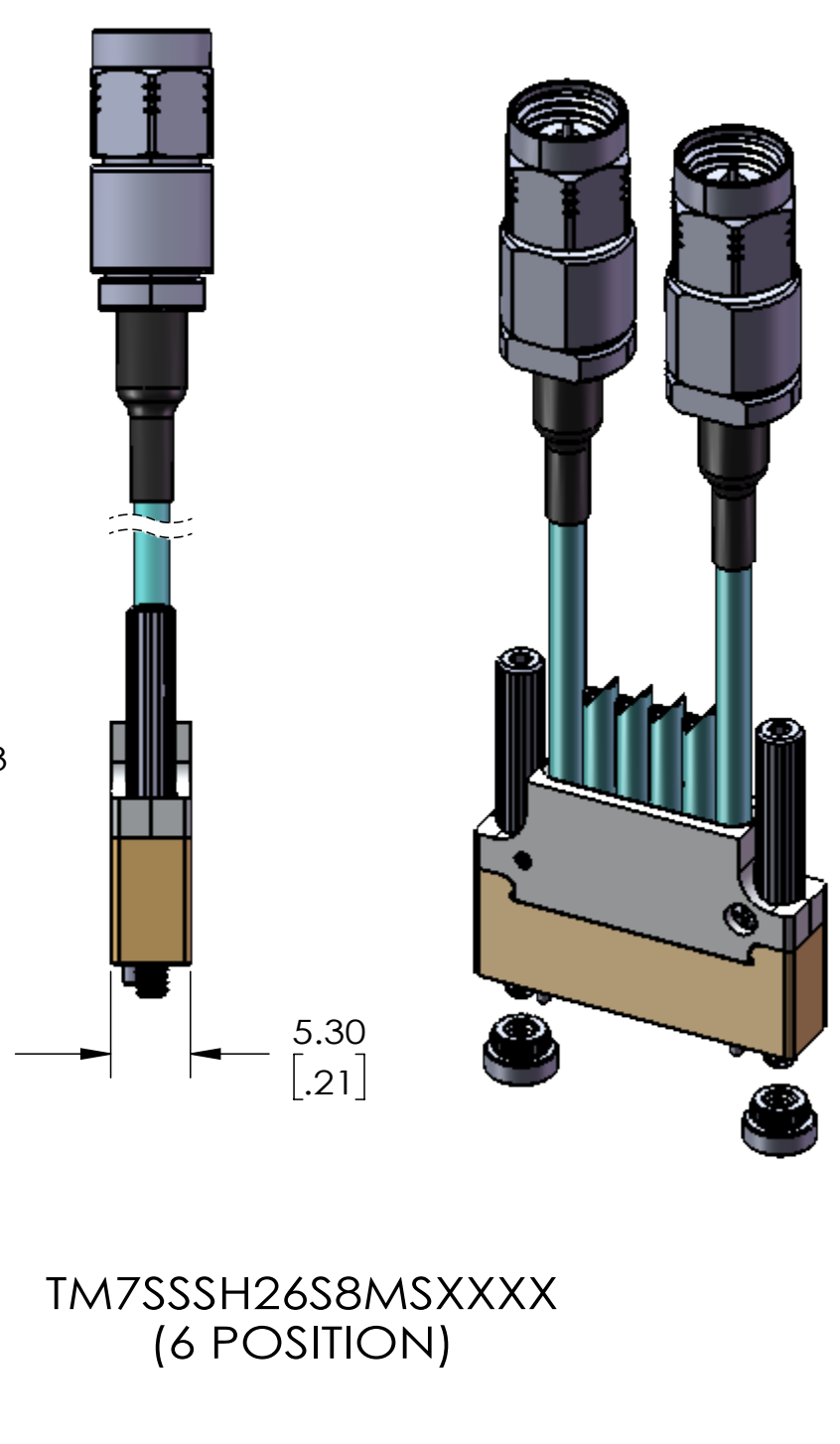
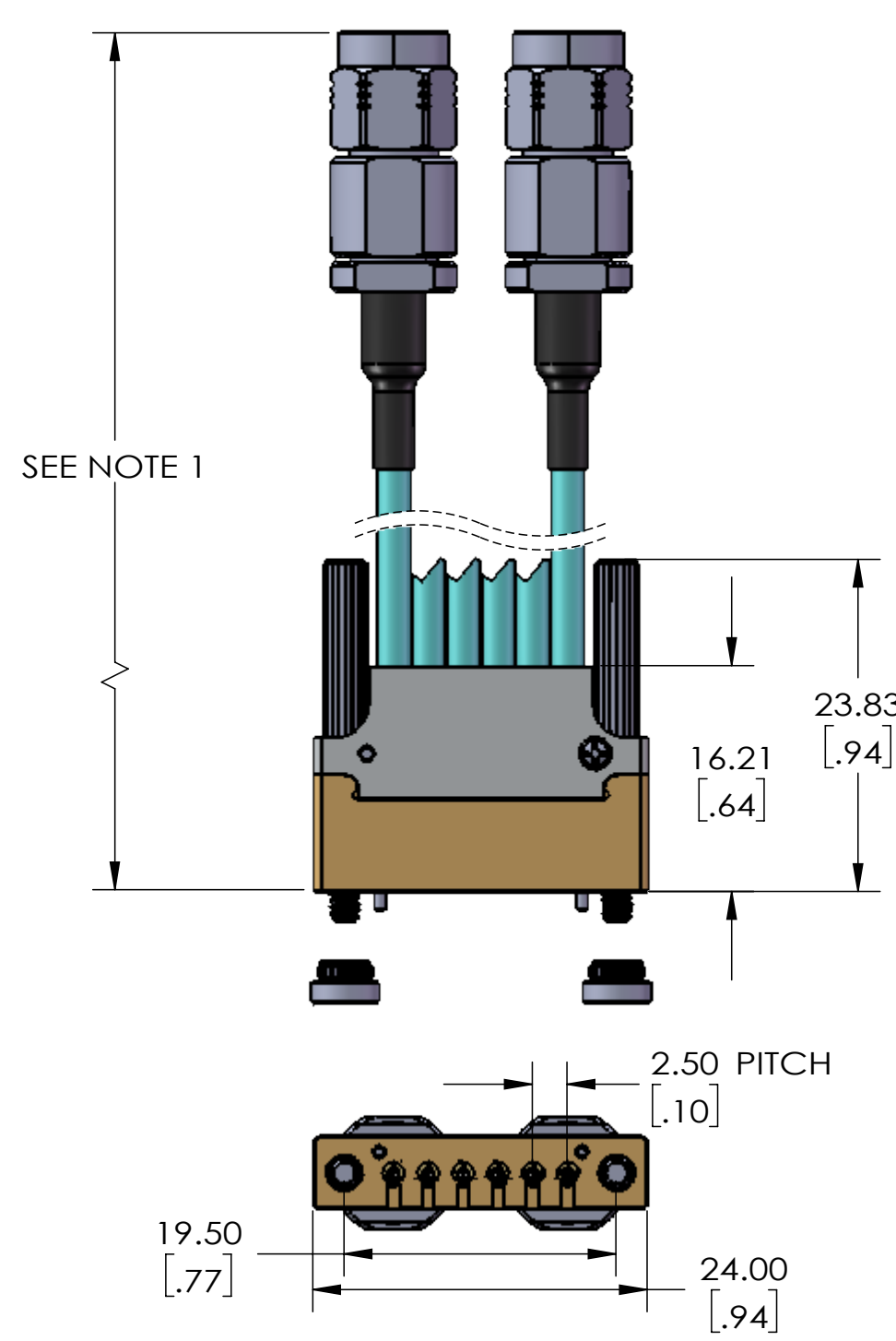
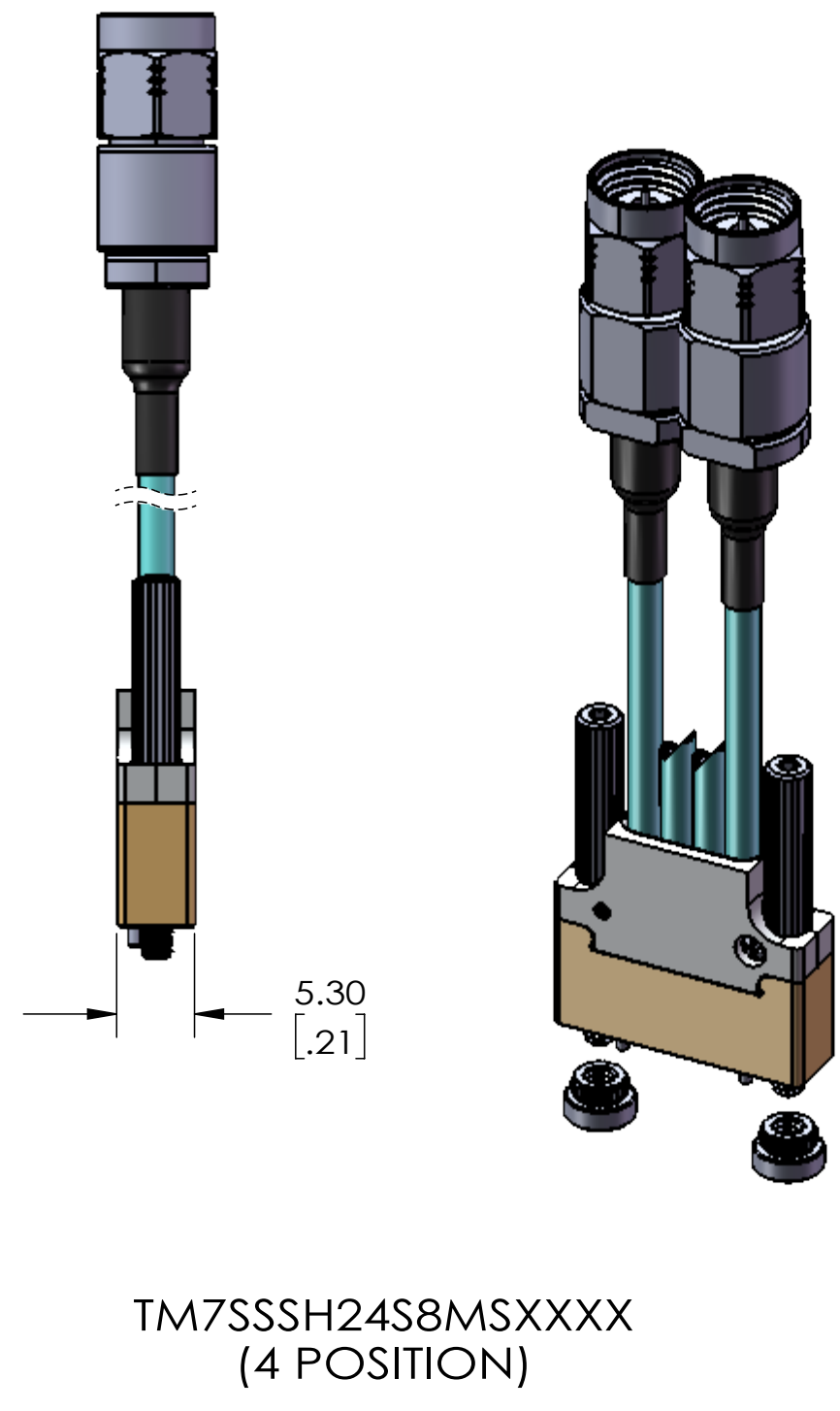
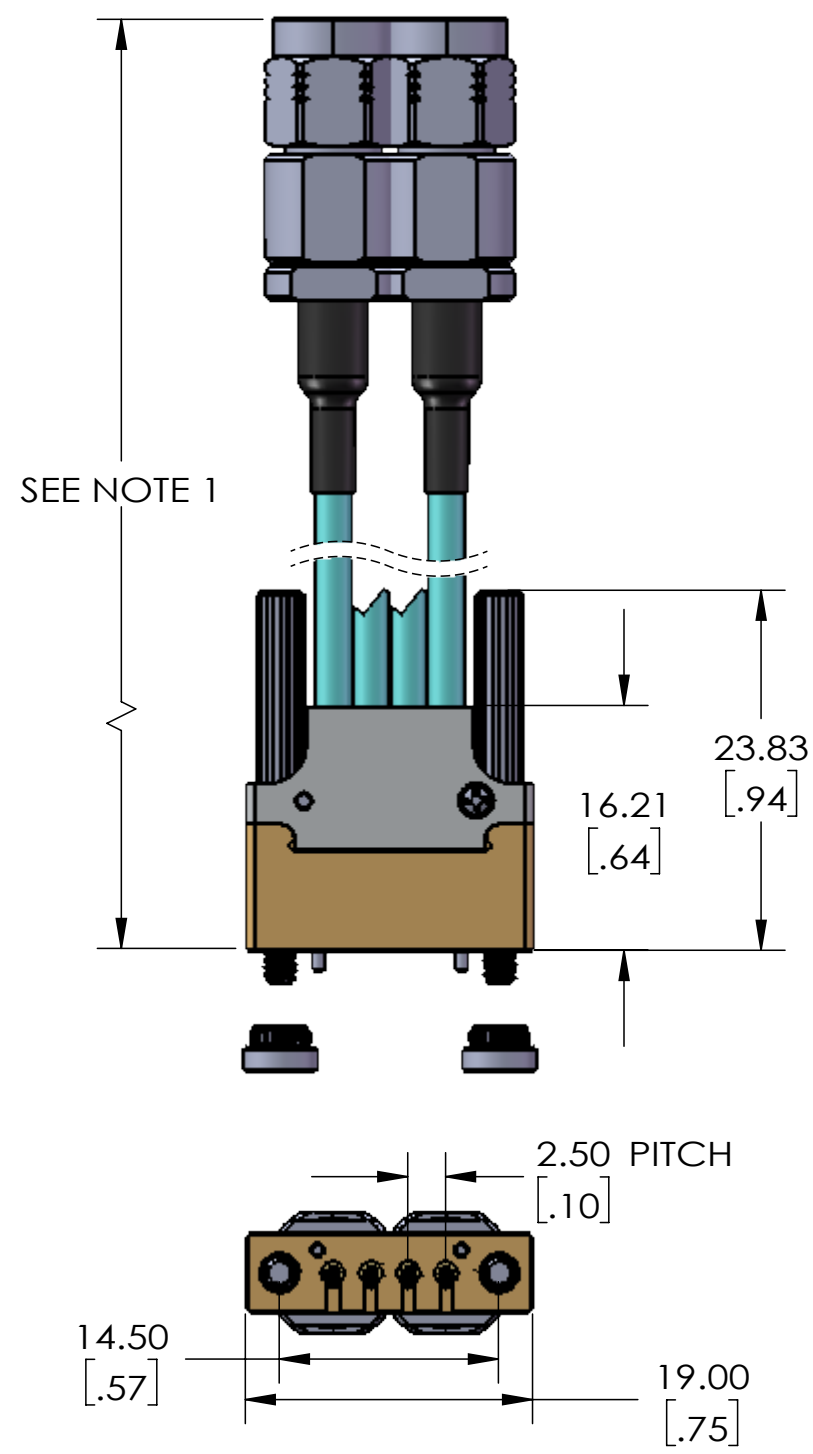
FINISH(ES):	APPLICABLE CARLISLE IT DOCUMENTS			TOLERANCES AND NOTES EXCEPT AS NOTED		MATERIAL		SPECIFICATION		PROCUREMENT					
	WORK STANDARD	PROD INSTRUC	ASSY INSTRUC	LINEAR	ANGULAR	APPROVAL	INITIALS	DATE	CARLISLE Interconnect Technologies Cerritos, CA 90703						
CoreHC2 Body, Ground Slider & Spring Pin & Housing Body: Gold plate per ASTM B-488 over Nickel underplate per SAE AMS-QQ-N-290.	NA	NA	NA	XX ±.015	ANGULAR ±1/2°	DRAWN BY	FY	07.21.20	TITLE CORE HC2 TO 1.85mm (M), 079 DIA. CABLE, 2-10 POSITIONS ASSEMBLY						
Dowel Pins, Clip, Nuts & Screws: Passivate per SAE AMS-2700 or per ASTM A-967, Nitric 1.	-	-	-	FRACTION ±1/32		CHECKED BY	HT	07.21.20				SCALE	SUB-DIRECTORY/ _OUTLINE\	SHEET 1 OF 3	
Nuts: Nickel Plating	<p>NOTICE</p> <p>THIS DRAWING EMBODIES A CONFIDENTIAL PROPRIETARY DESIGN ORIGINATED BY CARLISLE INTERCONNECT TECHNOLOGIES & ALL DESIGN, MANUFACTURING, REPRODUCTION, USE & SALE RIGHTS REGARDING THE SAME ARE EXPRESSLY RESERVED. IT IS SUBMITTED UNDER A CONFIDENTIAL RELATIONSHIP FOR A SPECIFIED PURPOSE & THE RECIPIENT AGREES BY ACCEPTING THIS DRAWING NOT TO SUPPLY OR DISCLOSE ANY INFORMATION REGARDING IT TO ANY UNAUTHORIZED PERSON TO INCORPORATE IN OTHER PROJECTS ANY SPECIAL FEATURES PECULIAR TO THIS DESIGN. ALL PATENT RIGHTS HERETO ARE EXPRESSLY RESERVED BY CARLISLE INTERCONNECT TECHNOLOGIES, CERRITOS, CALIFORNIA 90703.</p>			1. MACHINE FINISH: $\sqrt[3]{}$ RMS		TEST ENGR	-	-	DESIGN ENG	HT	05.03.18	SIZE	CAGE CODE	DRAWING NO.	REV.
Clamp Shell: Anodized, Clear							2. BREAK ALL SHARP EDGES .003 MAX.		MFG. ENGR			ECO APPRV			C

4

3

2

1



SCALE	3:1	SUB-DIRECTORY/ _OUTLINE/	SHEET 2 OF 3
SIZE	C 30990	DRAWING NO.	REV. A
		TM7SSSH2XS8MSXXX	

4

3

2

1

4

3

2

1

PHASE, (pS)	LENGTH inch (mm) ±0.25 (±6)		PART NUMBER					INSERTION LOSS dB max	Cable PN, Ref.
			2 POSITION	4 POSITION	6 POSITION	8 POSITION	10 POSITION		
±2	6.00	(152)	TM7SSSH22S8MS15	TM7SSSH24S8MS15	TM7SSSH26S8MS15	TM7SSSH28S8MS15	TM7SSSH210S8MS15	1.62	TM7SX-H2S-8MS-015
	12.00	(305)	TM7SSSH22S8MS31	TM7SSSH24S8MS31	TM7SSSH26S8MS31	TM7SSSH28S8MS31	TM7SSSH210S8MS31	2.71	TM7SX-H2S-8MS-031
	18.00	(457)	TM7SSSH22S8MS46	TM7SSSH24S8MS46	TM7SSSH26S8MS46	TM7SSSH28S8MS46	TM7SSSH210S8MS46	3.81	TM7SX-H2S-8MS-046
	24.00	(610)	TM7SSSH22S8MS61	TM7SSSH24S8MS61	TM7SSSH26S8MS61	TM7SSSH28S8MS61	TM7SSSH210S8MS61	4.90	TM7SX-H2S-8MS-061
	30.00	(762)	TM7SSSH22S8MS76	TM7SSSH24S8MS76	TM7SSSH26S8MS76	TM7SSSH28S8MS76	TM7SSSH210S8MS76	6.00	TM7SX-H2S-8MS-076
	36.00	(914)	TM7SSSH22S8MS91	TM7SSSH24S8MS91	TM7SSSH26S8MS91	TM7SSSH28S8MS91	TM7SSSH210S8MS91	7.09	TM7SX-H2S-8MS-091
	42.00	(1067)	TM7SSSH22S8MS107	TM7SSSH24S8MS107	TM7SSSH26S8MS107	TM7SSSH28S8MS107	TM7SSSH210S8MS107	8.19	TM7SX-H2S-8MS-107
	48.00	(1219)	TM7SSSH22S8MS122	TM7SSSH24S8MS122	TM7SSSH26S8MS122	TM7SSSH28S8MS122	TM7SSSH210S8MS122	9.28	TM7SX-H2S-8MS-122
±0.5	6.00	(152)	TM7SSSH22S8MS15E	TM7SSSH24S8MS15E	TM7SSSH26S8MS15E	TM7SSSH28S8MS15E	TM7SSSH210S8MS15E	1.62	TM7SX-H2S-8MS-15E
	12.00	(305)	TM7SSSH22S8MS31E	TM7SSSH24S8MS31E	TM7SSSH26S8MS31E	TM7SSSH28S8MS31E	TM7SSSH210S8MS31E	2.71	TM7SX-H2S-8MS-31E
	18.00	(457)	TM7SSSH22S8MS46E	TM7SSSH24S8MS46E	TM7SSSH26S8MS46E	TM7SSSH28S8MS46E	TM7SSSH210S8MS46E	3.81	TM7SX-H2S-8MS-46E
	24.00	(610)	TM7SSSH22S8MS61E	TM7SSSH24S8MS61E	TM7SSSH26S8MS61E	TM7SSSH28S8MS61E	TM7SSSH210S8MS61E	4.90	TM7SX-H2S-8MS-61E
	30.00	(762)	TM7SSSH22S8MS76E	TM7SSSH24S8MS76E	TM7SSSH26S8MS76E	TM7SSSH28S8MS76E	TM7SSSH210S8MS76E	6.00	TM7SX-H2S-8MS-76E
	36.00	(914)	TM7SSSH22S8MS91E	TM7SSSH24S8MS91E	TM7SSSH26S8MS91E	TM7SSSH28S8MS91E	TM7SSSH210S8MS91E	7.09	TM7SX-H2S-8MS-91E
	42.00	(1067)	TM7SSSH22S8MS107E	TM7SSSH24S8MS107E	TM7SSSH26S8MS107E	TM7SSSH28S8MS107E	TM7SSSH210S8MS107E	8.19	TM7SX-H2S-8MS-107E
	48.00	(1219)	TM7SSSH22S8MS122E	TM7SSSH24S8MS122E	TM7SSSH26S8MS122E	TM7SSSH28S8MS122E	TM7SSSH210S8MS122E	9.28	TM7SX-H2S-8MS-122E
±1	6.00	(152)	TM7SSSH22S8MS15D	TM7SSSH24S8MS15D	TM7SSSH26S8MS15D	TM7SSSH28S8MS15D	TM7SSSH210S8MS15D	1.62	TM7SX-H2S-8MS-15D
	12.00	(305)	TM7SSSH22S8MS31D	TM7SSSH24S8MS31D	TM7SSSH26S8MS31D	TM7SSSH28S8MS31D	TM7SSSH210S8MS31D	2.71	TM7SX-H2S-8MS-31D
	18.00	(457)	TM7SSSH22S8MS46D	TM7SSSH24S8MS46D	TM7SSSH26S8MS46D	TM7SSSH28S8MS46D	TM7SSSH210S8MS46D	3.81	TM7SX-H2S-8MS-46D
	24.00	(610)	TM7SSSH22S8MS61D	TM7SSSH24S8MS61D	TM7SSSH26S8MS61D	TM7SSSH28S8MS61D	TM7SSSH210S8MS61D	4.90	TM7SX-H2S-8MS-61D
	30.00	(762)	TM7SSSH22S8MS76D	TM7SSSH24S8MS76D	TM7SSSH26S8MS76D	TM7SSSH28S8MS76D	TM7SSSH210S8MS76D	6.00	TM7SX-H2S-8MS-76D
	36.00	(914)	TM7SSSH22S8MS91D	TM7SSSH24S8MS91D	TM7SSSH26S8MS91D	TM7SSSH28S8MS91D	TM7SSSH210S8MS91D	7.09	TM7SX-H2S-8MS-91D
	42.00	(1067)	TM7SSSH22S8MS107D	TM7SSSH24S8MS107D	TM7SSSH26S8MS107D	TM7SSSH28S8MS107D	TM7SSSH210S8MS107D	8.19	TM7SX-H2S-8MS-107D
	48.00	(1219)	TM7SSSH22S8MS122D	TM7SSSH24S8MS122D	TM7SSSH26S8MS122D	TM7SSSH28S8MS122D	TM7SSSH210S8MS122D	9.28	TM7SX-H2S-8MS-122D

SCALE	SUB-DIRECTORY/		SHEET 3 OF 3
3:1	_OUTLINE\		
SIZE	CAGE CODE	DRAWING NO.	REV.
C	30990	TM7SSSH28S8MSXXXX	A

4

3

2

1