

ARINC 404A Trays

INTRODUCTION

Carlisle Interconnect Technologies' (CarlisleIT) ARINC 404A Trays are designed and fabricated in our state-of-the-art manufacturing facility using top-quality aircraft grade materials to meet or exceed ARINC 404A specifications, as well as all civil and military aircraft application criteria. Our exceptional designs stand up to the most rigorous environmental hazards for in-flight and on-the-ground operations. Each tray is fully warranted, ensuring that your avionics systems equipment will not only fit securely but operate safely. Off-the-shelf designs or custom solutions are available to best fit your requirements, as well as the option of metering plates to accommodate aircraft-forced air cooling systems.



ARINC 404A Trays

KEY FEATURES

- » Durable, rugged construction
- » Lightweight aluminum alloy
- » 24-hour AOG support
- » Fan-cooled trays are available, conforming to Type A maximum cooling specifications per ARINC 404A. Cooling fans are customizable to use either an AC or DC power supply.
- » Available with air filtration solutions
- » Clear Chem Film per MIL-DTL-5541, Type II, Class 3
- » Materials meet flammability, optical smoke density, and toxic gas generation requirements
- » RoHS compliant in standard configurations

SERVICES

- » Shock and vibration testing
- » Crash safety testing
- » Structural analysis
- » Finite element analysis
- » Flammability testing
- » Environmental testing
- » Air-flow and cooling analysis and testing

APPLICATIONS

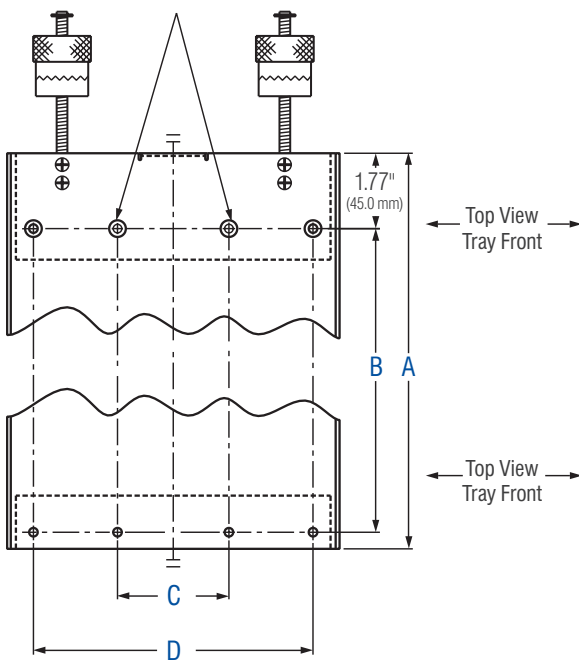
- » ARINC 404A Standards
- » CFR Title 14 Part 25, 23 and 21
- » RTCA/DO-160D
- » MIL-STD-810

ARINC 404A Trays

MOUNTING PATTERNS

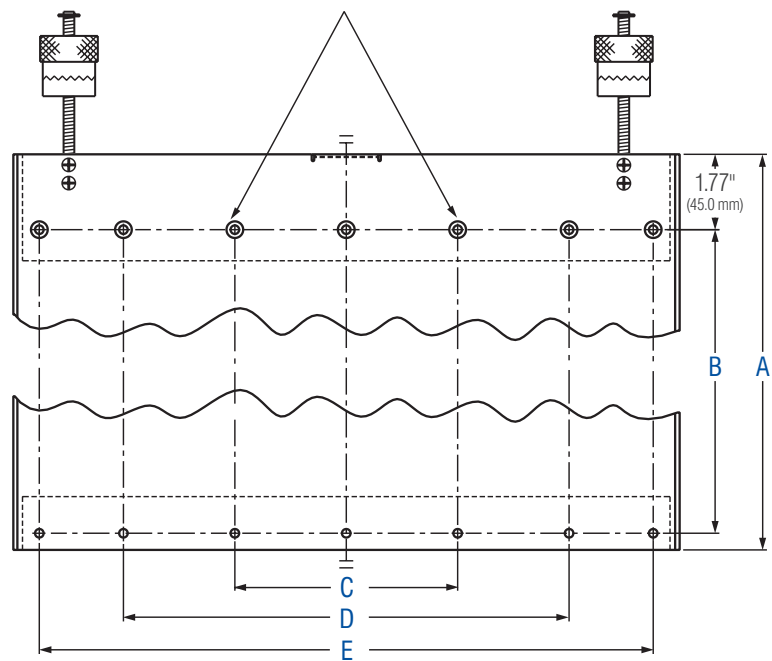
The following cut-away diagrams illustrate front and rear mounting hole placement for ARINC 404A Trays. No. 10 mounting holes are standard on all trays. No. 8 mounting holes are available as an option.

Mounting holes are countersunk 100°
accommodate No. 10 mounting hardware



Standard Mounting Hole Pattern
» ¼, ¾, ¾ ATR

Mounting holes are countersunk 100°
accommodate No. 10 mounting hardware



Standard Mounting Hole Pattern
» ½, 1, 1½ ATR

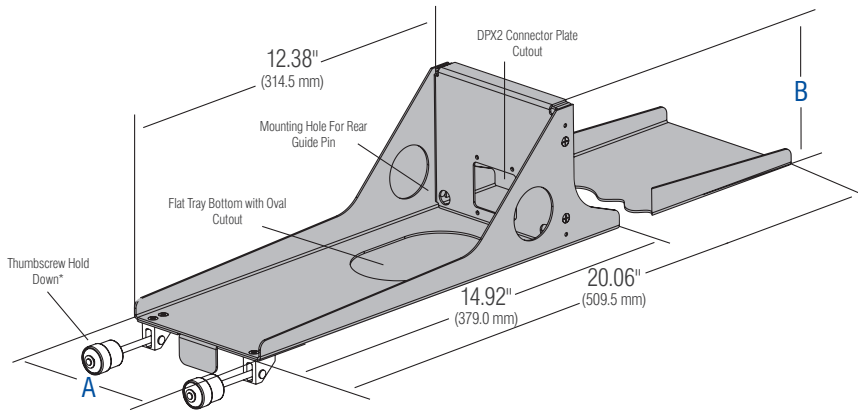
MOUNTING DIMENSIONS: REFERENCE CHART

ATR Size	A	B	C	D	E
¼	14.92" (379.0 mm)	12.76" (324.1 mm)	1.312" (33.3 mm)	-	-
¼	20.06" (509.5 mm)	18.00" (457.2 mm)	1.312" (33.3 mm)	-	-
¾	14.92" (379.0 mm)	12.76" (324.1 mm)	2.624" (66.6 mm)	-	-
¾	20.06" (509.5 mm)	18.00" (457.2 mm)	2.624" (66.6 mm)	-	-
½	14.92" (379.0 mm)	12.76" (324.1 mm)	3.936" (100.0 mm)	-	-
½	20.06" (509.5 mm)	18.00" (457.2 mm)	3.936" (100.0 mm)	-	-
¾	14.92" (379.0 mm)	12.76" (324.1 mm)	2.624" (66.6 mm)	6.560" (166.6 mm)	-
¾	20.06" (509.5 mm)	18.00" (457.2 mm)	2.624" (66.6 mm)	6.560" (166.6 mm)	-
1	14.92" (379.0 mm)	12.76" (324.1 mm)	5.248" (133.3 mm)	9.184" (233.3 mm)	-
1	20.06" (509.5 mm)	18.00" (457.2 mm)	5.248" (133.3 mm)	9.184" (233.3 mm)	-
1 ½	14.92" (379.0 mm)	12.76" (324.1 mm)	5.248" (133.3 mm)	10.496" (266.6 mm)	14.432" (366.6 mm)
1 ½	20.06" (509.5 mm)	18.00" (457.2 mm)	5.248" (133.3 mm)	10.496" (266.6 mm)	14.432" (366.6 mm)

ARINC 404A Trays

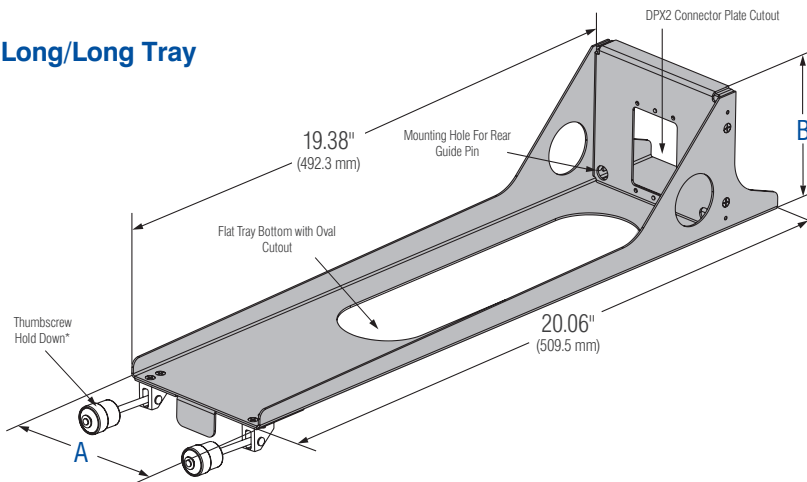
DIMENSIONAL DATA

Short/Short and Short/Long Trays

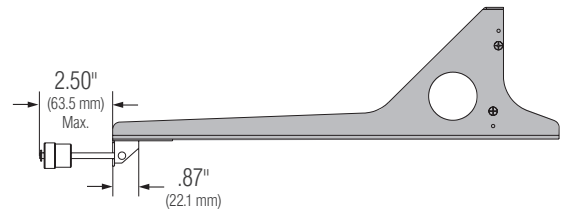


ATR Size	A (Outside Dimensions)	B
1/4	2.51" (63.8 mm)	See Connector Plate B Dimensions on next page
3/4	3.81" (96.8 mm)	
1/2	5.13" (130.3 mm)	
3/4	7.73" (196.3 mm)	
1	10.38" (263.7 mm)	
1 1/2	15.63" (397.0 mm)	

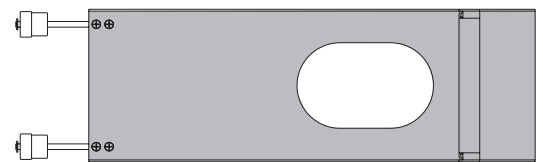
Long/Long Tray



Typical Side View

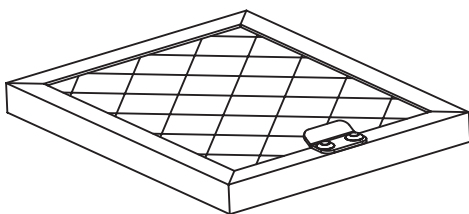


Typical Top View

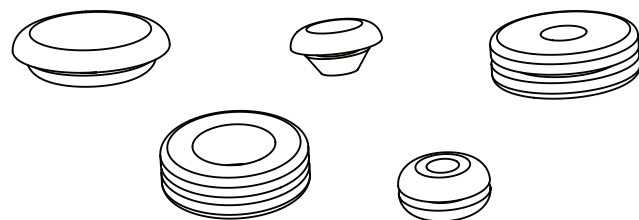


ACCESSORIES

Flat Filter



Plugs and Grommets



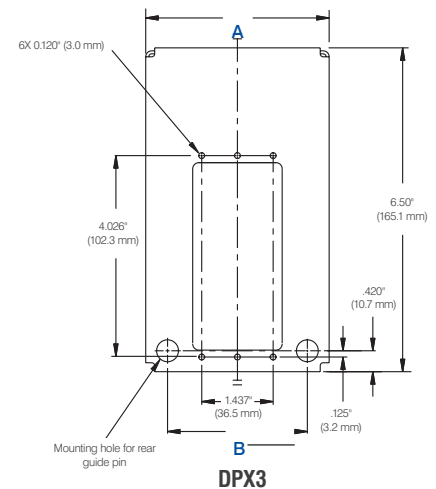
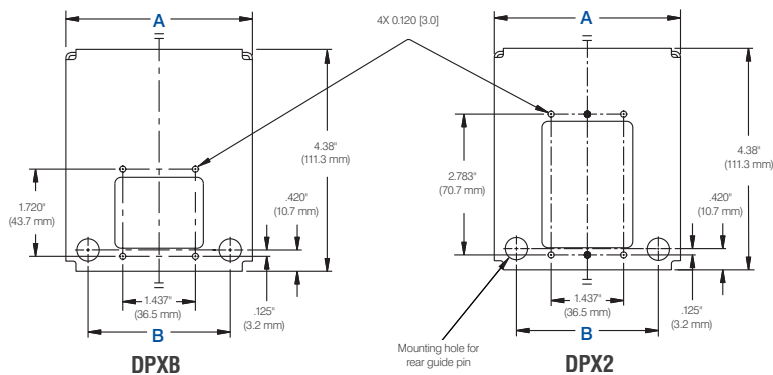
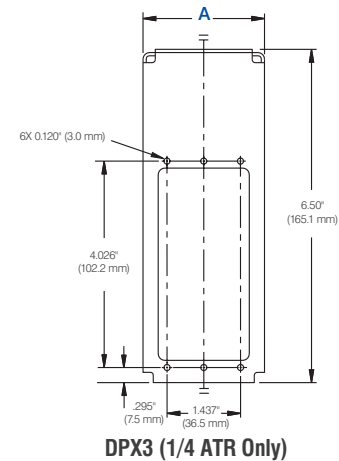
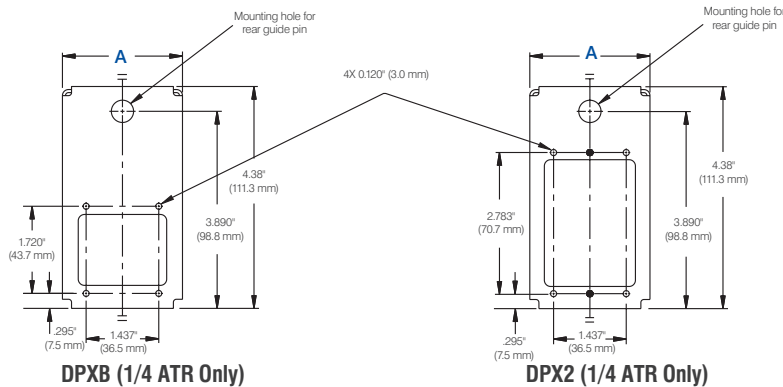
*Thumbscrew Hold-Down options include Insertion/Extraction, Advanced Thumbscrew, and Military-Style Thumbscrew.

Custom Sizes Available: All dimensions shown represent our standard tray dimensions and frequently requested options. However, we can customize any of these features to suit your specific needs.

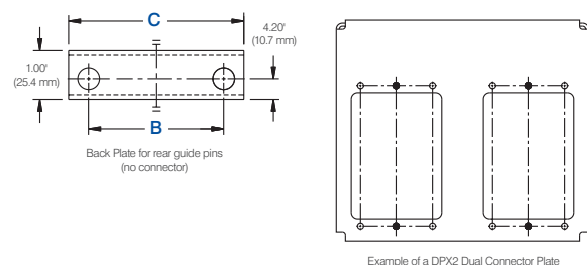
ARINC 404A Trays

CONNECTOR PLATES

For additional size information, special connector plate requirements or dual connector plate designs (see example at bottom right), complete the Custom Tray Worksheet located online at www.CarlisleIT.com.



Connector Plate Dimensions			
ATR	A	B	C
1/4	2.390" (60.7 mm)	—	—
3/4	3.690" (93.7 mm)	2.810" (71.4 mm)	3.570" (90.7 mm)
1/2	5.010" (127.3 mm)	4.120" (104.6 mm)	4.890" (124.2 mm)
3/4	7.630" (193.8 mm)	6.750" (171.5 mm)	7.47" (189.7 mm)
1	10.260" (260.6 mm)	9.380" (238.3 mm)	10.130" (257.3 mm)
1 1/2	15.510" (394.0 mm)	14.625" (371.5 mm)	15.380" (390.7 mm)



See CarlisleIT's full line of trays at:
CarlisleIT.com/products/structures/trays

+1 800-327-9473
Sales@CarlisleIT.com