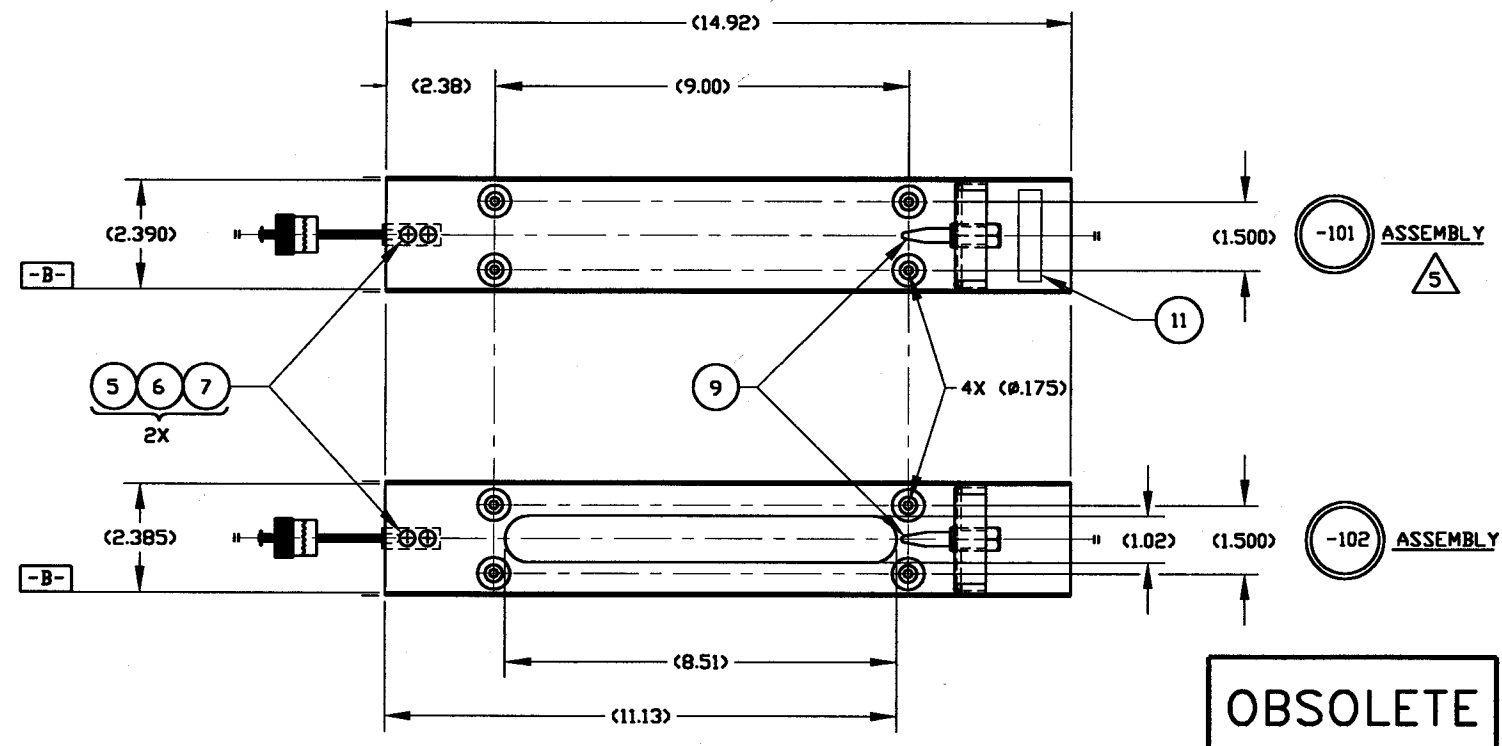
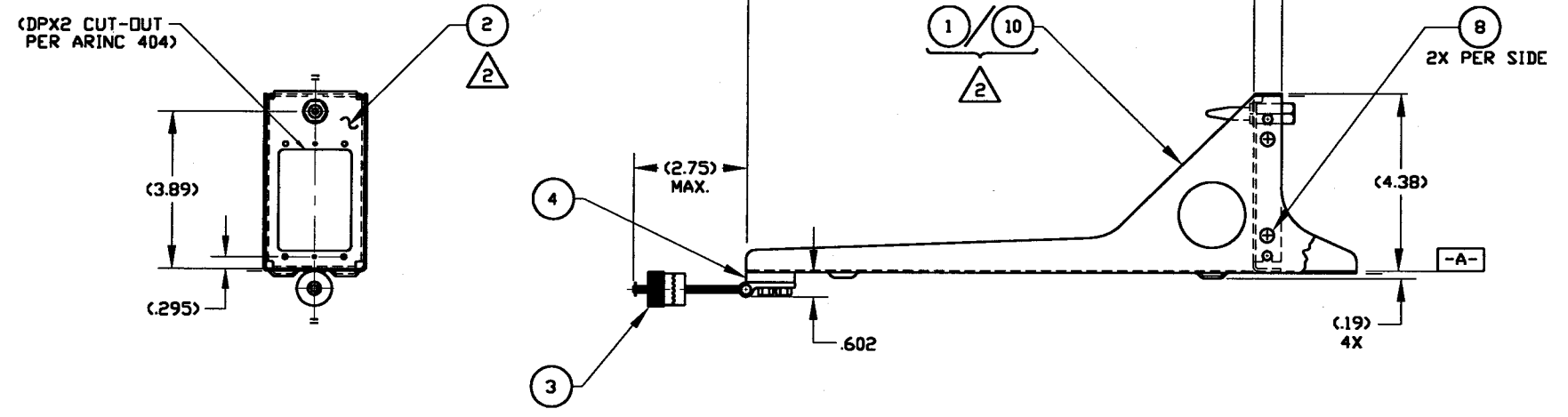


This print and associated documents and the contained information are the confidential property of ELECTRONIC CABLE SPECIALISTS. Disclosure of, and/or reproduction of, all or part thereof or manufacture of any part from information contained on this print not specifically permitted by ELECTRONIC CABLE SPECIALISTS in writing is forbidden.

REVISIONS						
ECN	SHT.	ZONE	REV.	BRIEF DESCRIPTION (SEE ECN FOR FULL DESCRIPTION)	DATE	APPROVED
			N/C	RELEASED BY ECN 143		
			A	SEE ECN 1460.	LJH 5/3/94	V SIEBERT C ASSEF
3299	1	P/L F/D	B	ITEM 9, P/N, CHANGED. DELETED NOTE 4	JZ 08/09/95	T ANTCZAK
3482			C	ADDED: ITEM 11 & NOTE 5. OBSOLETE -102 ASSY.	JZ 11/27/95	B MATHUR
10243		D6	D	CHGD DIM (2.390) WAS (2.385)	JTS 11/27/00	S ROSSA
24214		NTS	E	NOTE 5 WAS "...6 LBS..."	GJS 11/18/05	C BELL
29898		AB	F	ADDED NOTE 6, EP 210	SHK 8/2/07	<i>C Bell</i>



(DPX2 CUT-OUT PER ARINC 404)



QTY REQ'D	QTY REQ'D	COMPONENTS PART NO. OR IDENTIFYING NO.	NOMENCLATURE OR DESCRIPTION	MATERIAL/SPECIFICATION	QTY CODE	ITEM NO.
-	1	10727-02	PLACARD	(USE LRU'S WEIGHING 6.76 LBS OR LESS ONLY)		11
1	-	10356-02	TRAY, SPECIAL 1/4 ATR	(.063 AL ALLOY 6061)		10
1	1	10718-101	PIN, REAR HOLD DOWN			9
4	4	MS24693-C25	SCREW, FLAT HEAD	(.138-32 X .31 LG, CRES)		8
2	2	MS21083N3	HEX NUT, SELF LOCKING	(.190-32, STEEL)		7
2	2	AN960D10L	WASHER, #10 FLAT	(.016 THICK, ALUM)		6
2	2	MS24693-C274	SCREW, FLAT HEAD	(.190-32 X .75 LG, CRES)		5
1	1	10029CC-03	SPACER	(.250 AL ALLOY 6061)		4
1	1	10042-103	HOLD DOWN ASSY, FRONT THUMBSCREW			3
1	1	10357-101	CONNECTOR PLATE ASSY, SPECIAL 1/4 ATR	(.063 AL ALLOY 6061)		2
-	1	10356-01	TRAY, SPECIAL 1/4 ATR	(.063 AL ALLOY 6061)		1

- 6. IDENTIFY WITH ECS PART No. AND LOT No. PER EP 210.
 - 5. DESIGNED FOR LRU'S WEIGHING 6.76 LBS OR LESS.
 - 4. -DELETED-
 - 3. MEETS OR EXCEEDS ARINC 404 SPECIFICATIONS.
 - 2. FINISH: (CLEAR CHEM FILM PER MIL-C-5541, CLASS 3).
 - 1. DIMENSIONS AND TOLERANCES PER ANSI Y14.5M-1982.
- NOTES: UNLESS OTHERWISE SPECIFIED

THIRD ANGLE PROJECTION

CAD GENERATED DOCUMENT
ANY CHANGES TO THIS DOCUMENT MUST BE SUBMITTED TO THE DESIGN/DRAFTING DEPARTMENT FOR PROPER UPDATE

COMP/ASSY PART NO.	REV. NO.	FINAL/NEXT ASSY	PROJECT	MANUFACTURING ENGR	DATE
-102	1	FINAL	94-0176		
-101	1	FINAL	93-0144		

UNLESS OTHERWISE SPECIFIED TOLERANCES ARE: FRACTIONS ± .010 DECIMALS .005 ANGULAR ± 1°	CONTRACT NO.
DO NOT SCALE DRAWING	DRAWN: D SWITALSKI DATE: 7/23/93
TREATMENT	CHECKED: C ASSEF DATE: 7/26/93
FINISH	DESIGN: C ASSEF DATE: 7/26/93
SIMILAR TO	PROJECT
ACT. WT.	MANUFACTURING DATE
	ENGINEERING: W SIEBERT DATE: 7/27/93

ELECTRONIC CABLE SPECIALISTS
FRANKLIN, WI 53132
PHONE: (414) 421-5300

TITLE: TRAY ASSY, SPECIAL 1/4 ATR, S/S/M

SIZE: D 66197 C/A
SCALE: 1/2
EFFECTIVITY: 1
SHEET: 1 of 1