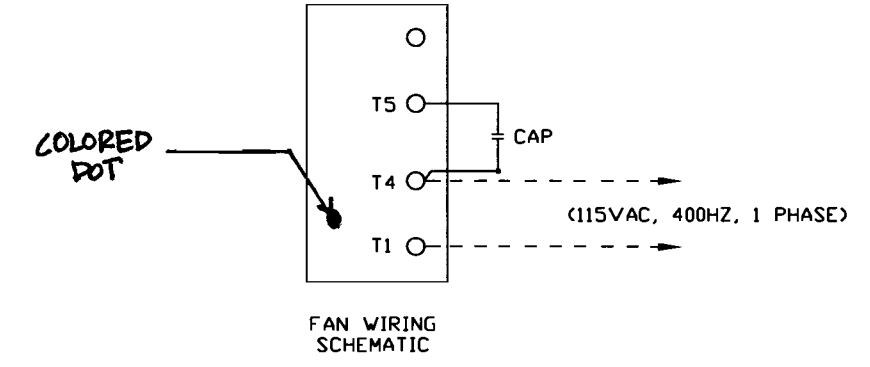
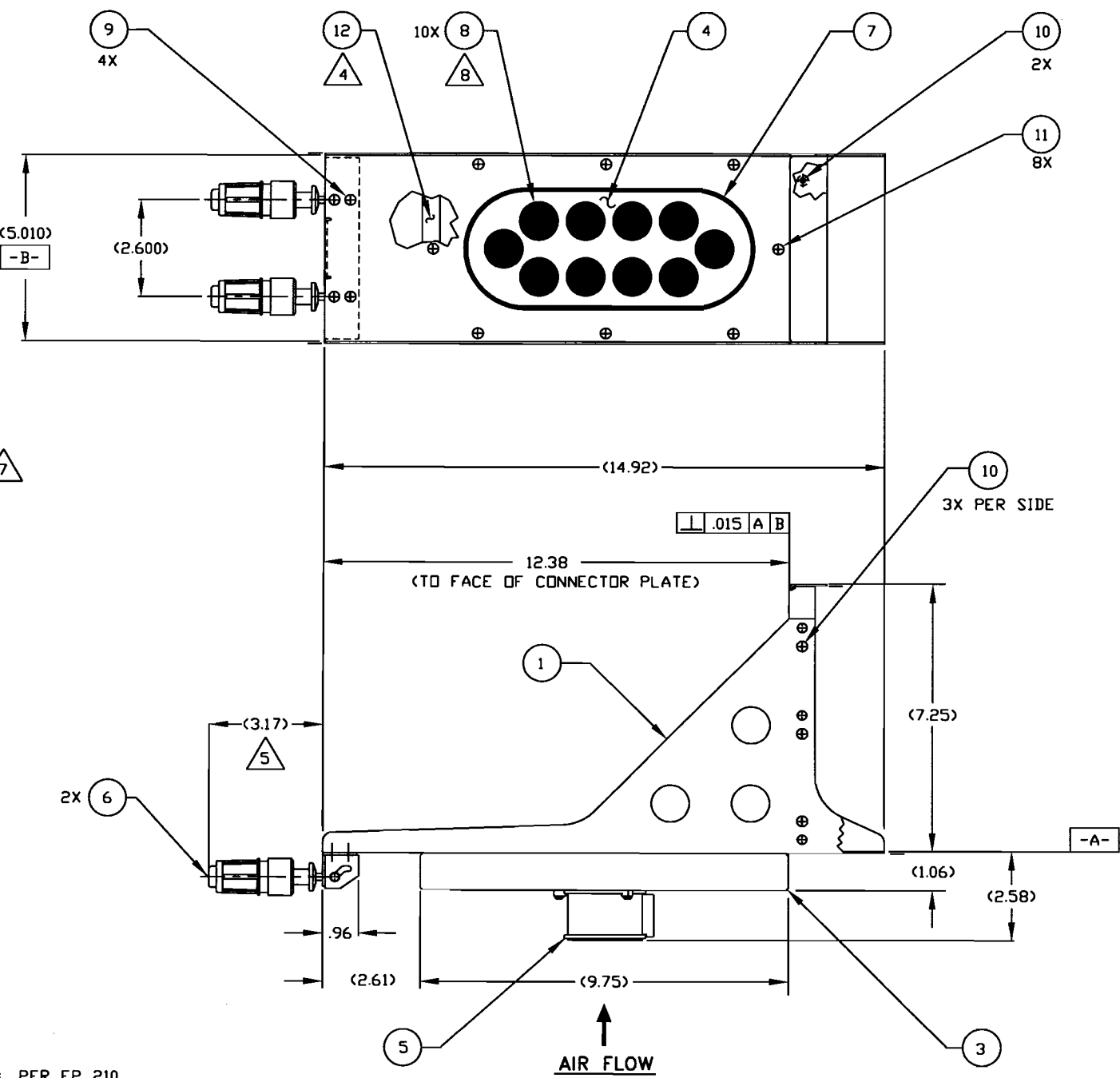


This print and associated documents and the contained information are the confidential property of ELECTRONIC CABLE SPECIALISTS. Disclosure of, and/or reproduction of, all or part thereof or manufacture of any part from information contained on this print not specifically permitted by ELECTRONIC CABLE SPECIALISTS in writing is forbidden.

ECN	SHT.	ZONE	REV.	BRIEF DESCRIPTION (SEE ECN FOR FULL DESCRIPTION)	DATE	APPROVED
6782			N/C	RELEASED FOR FULL PRODUCTION	3/18/98	K RAIHALA
38728		A3	A	ADDED CALC TRAY WEIGHT REVISED NOTES 1, 3 & 9 DELETED NOTE 6 MODIFIED FAN SCHEMATIC	10/26/09	Cell



- 9. IDENTIFY WITH ECS P/N AND LOT#, PER EP 210.
- 8. REMOVE ALL METERING PLUGS (10) AT AIRCRAFT INSTALLATION SITE.
- 7. UNIVERSAL CONNECTOR CUTOUT PER ARINC 600, SIZE 1, 2 OR 3.
- 6. DELETED
- 5. MAXIMUM EXTENSION WHEN LRU IS SECURELY FASTENED TO TRAY ASSEMBLY.
- 4. APPLY ITEM 12 AROUND SCREW HOLES & CONTACT SURFACES AT ASSEMBLY TO PROVIDE A SEAL BETWEEN ITEMS 1 & 3.
- 3. FINISH: CLEAR CHEM FILM PER MIL-DTL-5541, TYPE II, CLASS 3.
- 2. DESIGNED TO MEET THE APPLICABLE REQUIREMENTS OF THE FOLLOWING:  
A: ARINC 600-9: 4 MCU,  
B: RTCA/DO-160C ENV. CAT. A1-BABXXXXXXXXXXXXXXXXXX
- 1. DIMENSIONS AND TOLERANCES PER ANSI Y14.5M-1994.

NOTES: UNLESS OTHERWISE SPECIFIED

A/R	DOW CORNING	ADHESIVE SEALANT	(SILICONE RUBBER)	71984	12
8	MS24693-C24	SCREW, FLAT HEAD	(#6-32 X .25 LONG)		11
8	MS24693-C26	SCREW, FLAT HEAD	(#6-32 X .38 LONG)		10
4	MS24693-C25	SCREW, FLAT HEAD	(#6-32 X .31 LONG)		9
10	10736-01	PLUG BUMPER	(RUBBER)		8
1	10016-104	DEFORMATION SEAL ASSY, 4 MCU	(SILICONE RUBBER)		7
2	10344-101	HOLD DOWN, FRONT INSERTION/EXTRACTION			6
1	S0085-103	FAN ASSY, AC			5
1	10025CC-01	METERING PLATE, 4 MCU	(.040 AL ALLOY 5052 OR 6061)		4
1	S0109CC-104	PLENUM ASSY, 4 MCU	(.040 AL ALLOY 6061)		3
1	10018CC-106	CONNECTOR PLATE ASSY, 4 MCU	(.063 AL ALLOY 6061)		2
1	S0082CC-104	TRAY WELDING ASSY, 4 MCU	(.063 AL ALLOY 6061)		1

THIRD ANGLE PROJECTION  
  
 CAD GENERATED DOCUMENT  
 ANY CHANGES TO THIS DOCUMENT MUST BE SUBMITTED TO THE DESIGN/DRAFTING DEPARTMENT FOR PROPER UPDATE

COMP/ISSY PART NO.	QTY REQ'D	REV/PRJL DNG	PROJECT NO.	QUALITY ASSURANCE	DATE
-101	1	FINAL	98-0496		

CONTRACT NO.	DATE	CHECKED	DATE	DESIGNED	DATE	PROJECT	DATE	MANUFACTURING	DATE
MINDO S	3/17/98	K RAIHALA	3/18/98	K RAIHALA	3/18/98	K RAIHALA	3/18/98		

ELECTRONIC CABLE SPECIALISTS  
 FRANKLIN, WI 53132  
 PHONE: (414) 421-5300

TRAY ASSY, 4 MCU S/S  
 W/ BOTTOM FAN

SCALE 1/2 EFFECTIVITY

DATE 3/18/98

COMP/ISSY PART NO.	QTY REQ'D	REV/PRJL DNG	PROJECT NO.	QUALITY ASSURANCE	DATE	ACT. WT	CALC WT	ENGINEERING	DATE
-101	1	FINAL	98-0496				2.2 LBS	T ANTICZAK	3/18/98