

REVISION HISTORY						
ECN	SHT	ZONE	REV	DESCRIPTION	DATE	APPROVED
35294			N/C	RELEASED	3/2/09	J. MODRA
55730		NTS D6 B4	A	ADDED NOTE 10 ADDED VIEW SHOWING ALTERNATE HOLD DOWN UPDATED HOLD DOWN NOTE	6/5/13	B Pyzo

This print and associated documents and the contained information are the confidential property of ELECTRONIC CABLE SPECIALISTS. Disclosure of, and/or reproduction of, all or part thereof or manufacture of any part from information contained on this print not specifically permitted by ELECTRONIC CABLE SPECIALISTS in writing is forbidden.

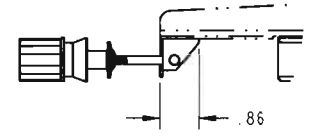
**** EXPORT CONTROLLED DOCUMENT - EAR ****
The information in this document is subject to the Export Controls in Accordance with the Export Administration Regulations. Diversion Contrary to U.S. Law is prohibited.

NOTES: UNLESS OTHERWISE SPECIFIED
GENERAL NOTES:

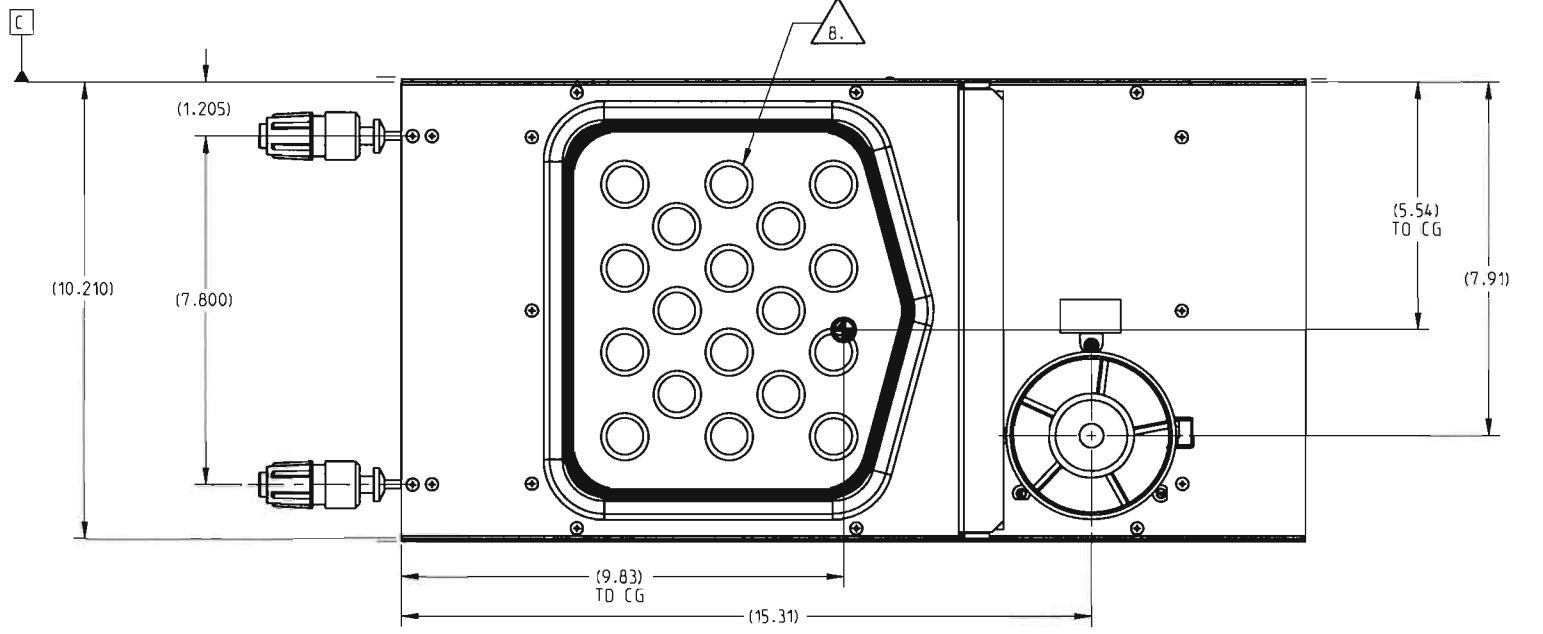
- DIMENSIONS AND TOLERANCES PER ASME Y14.5M-1994.
- DESIGNED TO MEET THE APPLICABLE REQUIREMENTS OF THE FOLLOWING:
 - ARINC 600-15: 8 MCU
 - RTCA/DO-160E ENVIRONMENTAL TEST CONDITIONS:
 - TEMPERATURE: CAT A2
 - ALTITUDE: CAT A2
 - TEMP VARIATION: CAT B
 - HUMIDITY: CAT A
 - OPERATIONAL SHOCK: CAT B
 - CRASH SAFETY: SUSTAINED, TABLE 7-1, FIXED WING TRANSPORT A/C, RANDOM ORIENTATION
 - VIBRATION: CAT S, CURVE B2
- TRAY, PLENUM, AND CONNECTOR PLATE FINISH: CLEAR CHEM FILM PER MIL-DTL-5541, TYPE II, CLASS 3.
- MAXIMUM EXTENSION WHEN LRU IS SECURELY FASTENED TO TRAY ASSEMBLY.

INSTALLATION NOTES:

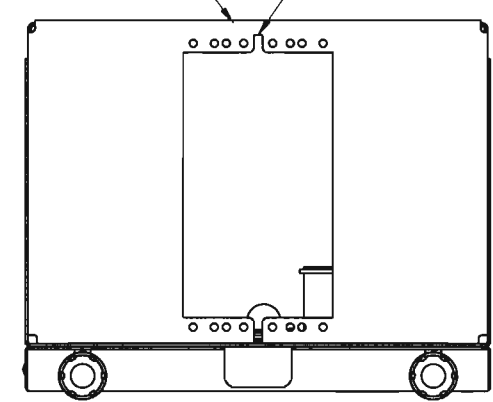
- FOR PRESSURIZED APPLICATION ONLY. NOT RECOMMENDED FOR INSTALLATION IN UNPRESSURIZED AREAS.
- ELECTRICAL SPECIFICATIONS (FAN):
 - 115V AC, 400 HZ, 1 PHASE
 - 0.60 AMPS (OPERATING)
 - 1.25 AMPS (LOCKED)
- RING TERMINAL P/N: PN22-2R-C (OR EQUIVALENT) SUPPLIED FOR AC CONNECTIONS.
- REMOVE METERING PLUGS AS REQUIRED PRIOR TO INSTALLING THE LRU.
- APPROXIMATE LOCATION OF CENTER OF GRAVITY (CG)
- SEE ALTERNATE HOLD DOWN DETAIL VIEW.



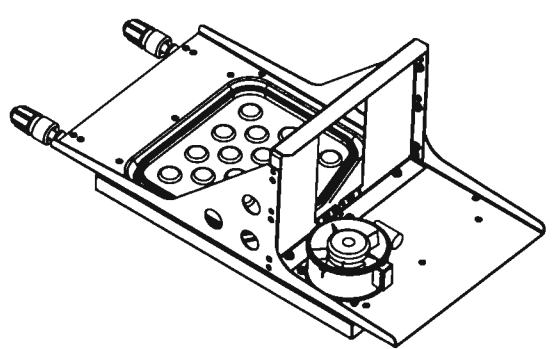
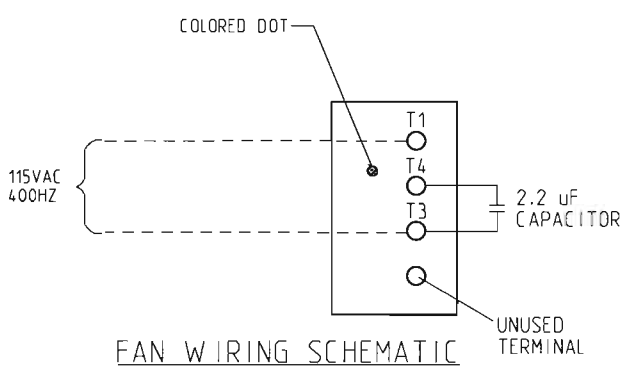
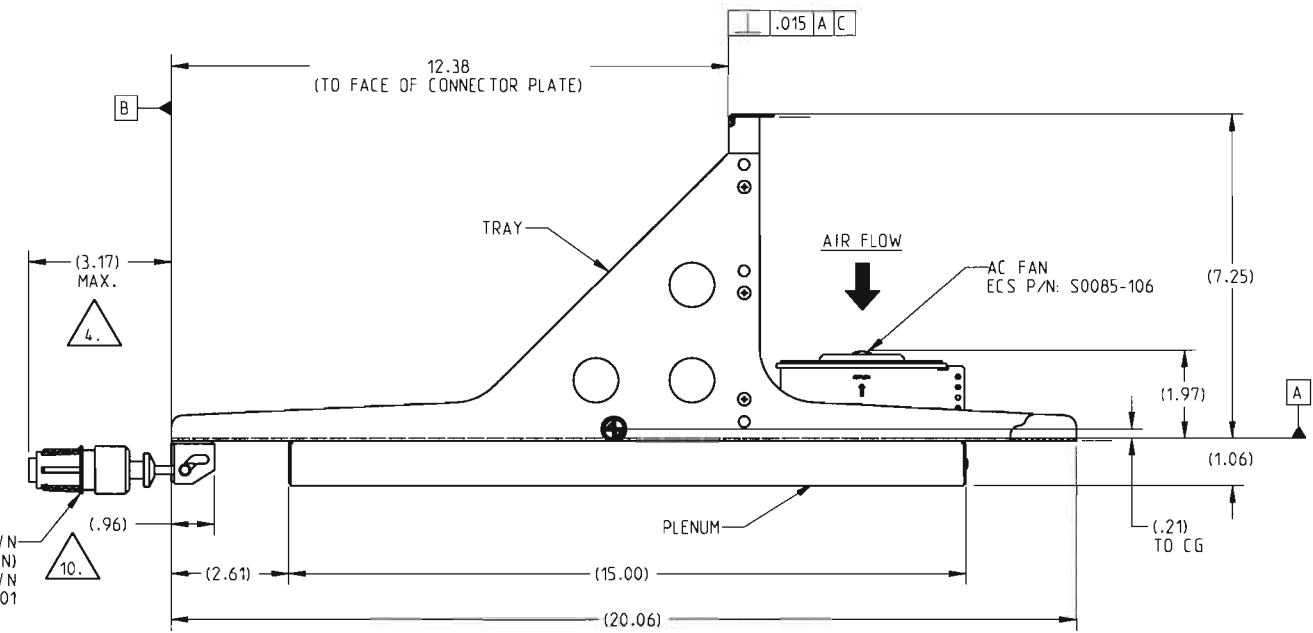
ALTERNATE HOLD DOWN
P/N: 200-33899-101
SCALE 1/2



CONNECTOR PLATE UNIVERSAL CONNECTOR CUT-OUT FOR ARINC 600, SIZE 1, 2, OR 3



INSERTION EXTRACTION HOLD DOWN
ECS P/N: 10344-101 (SHOWN)
OR ALTERNATE HOLD DOWN
ECS P/N: 200-33899-101



ECS PART NO: 6117-103

PRODUCT SPECIFICATION DRAWING

THIRD ANGLE PROJECTION		WEIGHTS		UNLESS OTHERWISE SPECIFIED: DIMENSIONS ARE IN INCHES		CONTRACT NO.		ECS ELECTRONIC CABLE SPECIALISTS FRANKLIN, WI 53132 PHONE: (414) 421-5300	
		C BELL 2/25/09		TOLERANCES ARE: FRACTIONS DECIMALS ANGULAR ± .005 ± .003 ± .5		DRAWN L HECKEL 04-Dec-08		TITLE TRAY ASSEMBLY, 8 MCU S/L W/REAR FAN ASSEMBLY	
CAD GENERATED DOCUMENT ANY CHANGES TO THIS DOCUMENT MUST BE SUBMITTED TO THE DESIGN/DRAFTING DEPARTMENT FOR PROPER UPDATE		FINAL 156027		TREATMENT		CHECKED C BELL 2/25/09		EFFECTIVITY	
SIT REQ'D		PROJECT NO.		FINISH		DESIGNED C BELL 12/14/08		SIZE D	
APPLICATION		QUALITY ASSURANCE		SIMILAR TO ECS-202801		PRODUCT C BELL 2/25/09		SCALE 1/2	
ADDITIONAL APPROVALS		DATE		ACT WT 5.0 lbs		MANUFACTURING		ECS-207519	
DATE		DATE		CALC WT 4.7 lbs		ENGINEERING T ANTZAK 2/25/09		SHEET 1 of 1	