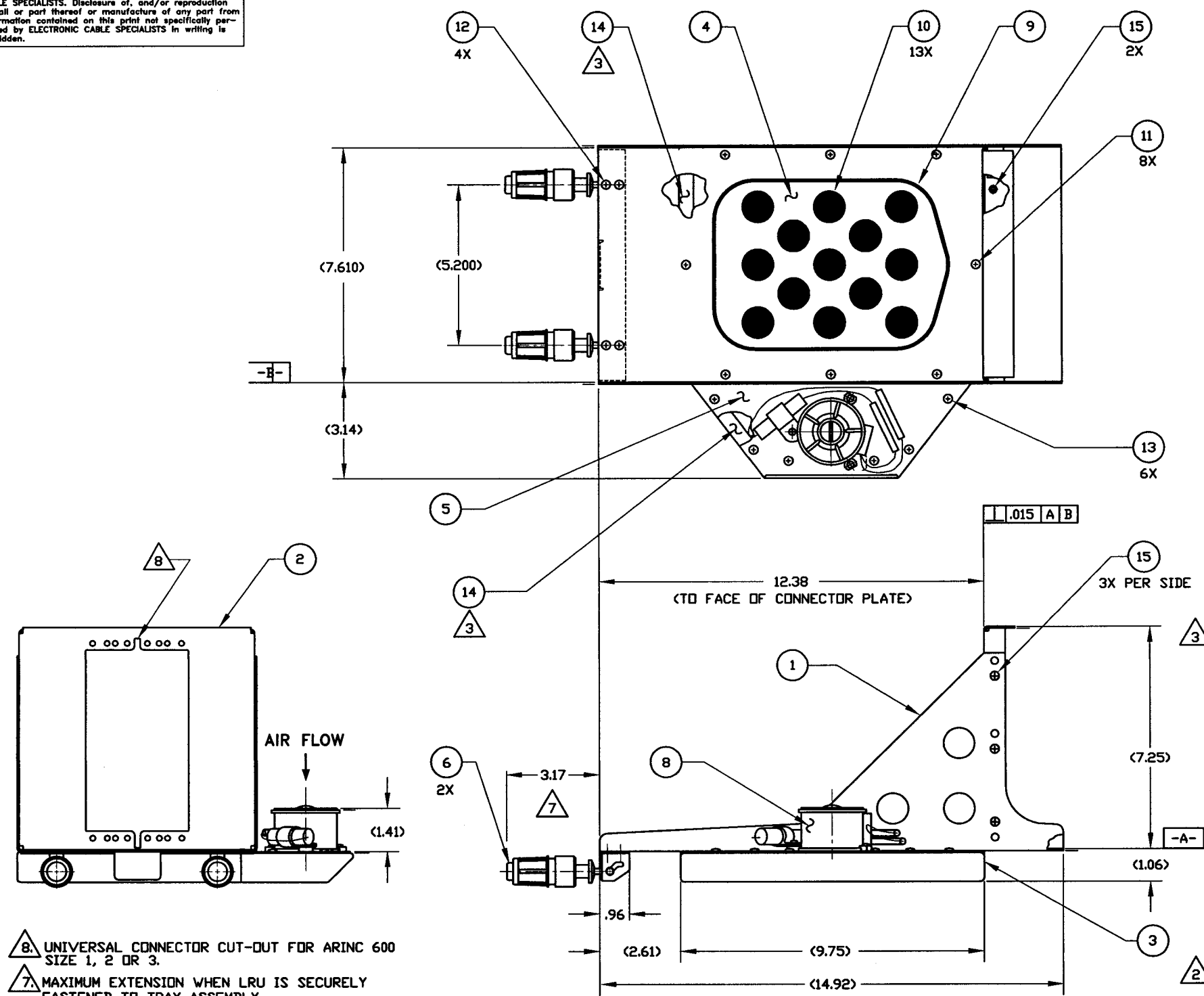


This print and associated documents and the contained information are the confidential property of ELECTRONIC CABLE SPECIALISTS. Disclosure of, and/or reproduction of, all or part thereof or manufacture of any part from information contained on this print not specifically permitted by ELECTRONIC CABLE SPECIALISTS in writing is forbidden.

REVISIONS						
ECN	SHT.	ZONE	REV.	DESCRIPTION	DATE	APPROVED
			N/C	RELEASED BY 1869		
3595		P/L	A	ITEM 11 P/N WAS MS24693-C26	AJS 5/25/99	J SHAW
3636		P/L	A	ITEM 13 P/N WAS MS51957-24		
9824			B	ADDED NOTE 6	JTS 2/28/00	L HECKEL
11259	1	P/L	C	ADDED (CC) TO ITEM 5 P/N		
	1	A8		UPDATED NOTES 1,3 & 5	JTS	
	1	A8		ADDED NOTES 7 & 8		
	1	B6		ADDED DIM 3.17		
	1	B6		ADDED DIM .96		
	1	P/L		ADDED ITEM 15	4/7/00	L HECKEL
	1	P/L		CHNG'D QTY ITEM 11 WAS 16 & 20		
16256	1	A8		CHNG'D P/N ITEM 10 WAS 40-8PB		
	1	B5		DELETED NOTE 4		
	2	B5		ADDED DIM 2.50 MAX	JTS 8/27/02	F. W. [Signature]



QTY REQ'D	QTY REQ'D	QTY REQ'D	QTY REQ'D	COMPONENTS PART NO. OR IDENTIFYING NO.	DESCRIPTION	MATERIAL/SPECIFICATION	CAGE CODE	ITEM NO.
1	1	-	-	S0085-103	FAN ASSEMBLY, AC			16
12	8	12	8	MS24693-C26	SCREW, FLAT HEAD	(#6-32 x .38 LONG)		15
A/R	A/R	A/R	A/R	DOW CORNING RTV 3145, CLR	SEALANT, ADHESIVE	(SILICONE RUBBER)		14
6	6	6	6	MS51957-26	SCREW, PAN HEAD	(#6-32 x .25 LONG)		13
-	4	-	4	MS24693-C25	SCREW, FLAT HEAD	(#6-32 x .31 LONG)		12
8	8	8	8	MS24693-C24	SCREW, FLAT HEAD	(#6-32 x .25 LONG)		11
13	13	13	13	10736-01	PLUG BUMPER	(RUBBER)		10
1	1	1	1	10016-106	DEFM. SEAL, 6 MCU	(SILICONE RUBBER)		9
-	-	1	1	S0085-107	FAN ASSEMBLY, AC			8
2	-	2	-	S0076-105	HOLD DOWN, FRONT THUMBSCREW			7
-	2	-	2	10344-101	HOLD DOWN, FRONT INSERTION/EXTRACTION			6
1	1	1	1	S0105CC-102	COVER ASSY, PLENUM	(.040 AL ALLOY 6061)		5
1	1	1	1	10024CC-01	METERING PLATE 6 MCU	(.040 AL ALLOY 5052 OR 6061)		4
1	1	1	1	S0164-306	PLENUM ASSY. 6 MCU	(.040 AL ALLOY 6061)		3
1	1	1	1	10018CC-108	CONNECTOR PLATE ASSY, 6 MCU	(.063 AL ALLOY 6061)		2
1	1	1	1	S0082CC-106	TRAY WELDING ASSY. 6 MCU	(.063 AL ALLOY 6061)		1

- 8. UNIVERSAL CONNECTOR CUT-OUT FOR ARINC 600 SIZE 1, 2 OR 3.
- 7. MAXIMUM EXTENSION WHEN LRU IS SECURELY FASTENED TO TRAY ASSEMBLY.
- 6. IDENTIFY WITH ECS P/N AND LOT #, PER EP210
- 5. DESIGNED TO MEET THE APPLICABLE REQUIREMENTS OF THE FOLLOWING:
 - A. ARINC 600-9; 6 MCU SHORT
 - B. RTCA/DO-160C ENV. CAT. A1-BABXXXXXXXXXXXXXXXXXX

- 4. -DELETED-
- 3. APPLY SEALANT (ITEM 14) AROUND SCREW HOLES & CONTACT SURFACES AT ASSEMBLY TO PROVIDE A SEAL BETWEEN THE TRAY (ITEM 1) & PLENUM COVER (ITEM 5) AND PLENUM ASSY (ITEM 3).
- 2. FINISH: (CLEAR CHEM FILM PER MIL-C-5541, CLASS 3).

1. DIMENSIONS AND TOLERANCES PER ASME Y14.5M-1994.
 NOTES: UNLESS OTHERWISE SPECIFIED

THIRD ANGLE PROJECTION

CAD GENERATED DOCUMENT
 ANY CHANGES TO THIS DOCUMENT MUST BE SUBMITTED TO THE DESIGN/DRAFTING DEPARTMENT FOR PROPER UPDATE

COMP/ASSY PART NO.	QTY REQ'D	REV.	DATE	PROJECT NO.	APPROVALS
-104	-	FINAL	020595		
-103	-	FINAL	020595		
-102	-	FINAL			
-101	-	FINAL	94-0674		

CONTRACT NO.	DATE
S. KANTORSKI	9/21/94
C. ASSEF	10/10/94
S. KANTORSKI	10/10/94
K. RAIHALA	10/10/94

ELECTRONIC CABLE SPECIALISTS
 FRANKLIN, WI 53132
 PHONE: (414) 421-5300

TRAY ASSEMBLY, 6 MCU S/S WITH RIGHT SIDE FAN

SIZE: D 66197C/A
 LEVEL: 6110
 SCALE: 1/2
 SHEET: 1 OF 4