

- 11. IDENTIFY WITH ECS P/N AND LOT#, PER EP210.
- 10. ALTERNATE PART NO. DOW CORNING P/N RTV-732CLR.
- 9. UNIVERSAL CONNECTOR CUT-OUT FOR ARINC 600; SIZE 1, 2 OR 3.
- 8. MAXIMUM EXTENSION WHEN IN LOADED POSITION.
- 7. - DELETED -
- 6. MEETS OR EXCEEDS ARINC 600 SPECIFICATIONS.
- 5. - DELETED -
- 4. - DELETED -
- 3. APPLY 10 AROUND SCREW HOLES AND CONTACT SURFACES AT ASSEMBLY TO PROVIDE A SEAL BETWEEN TRAY (ITEM 1 OR 16) AND PLENUM (ITEM 7, 12 OR 17).
- 2. FINISH: (CLEAR CHEM FILM PER MIL-C-5541, CLASS 3).

NOTES: UNLESS OTHERWISE SPECIFIED
1. DIMENSIONS AND TOLERANCES PER ANSI Y14.5M-1982.

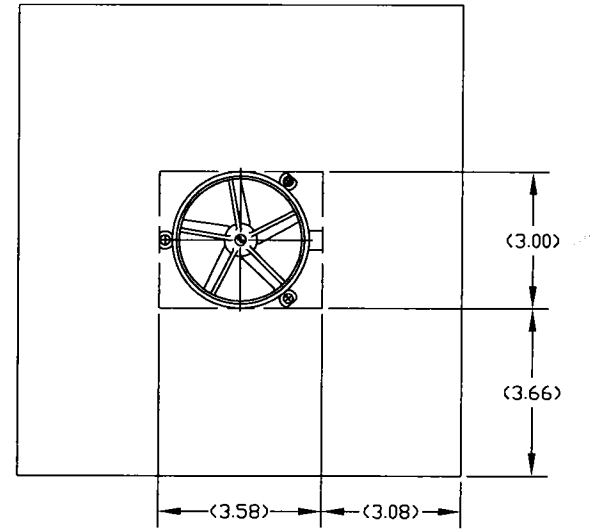
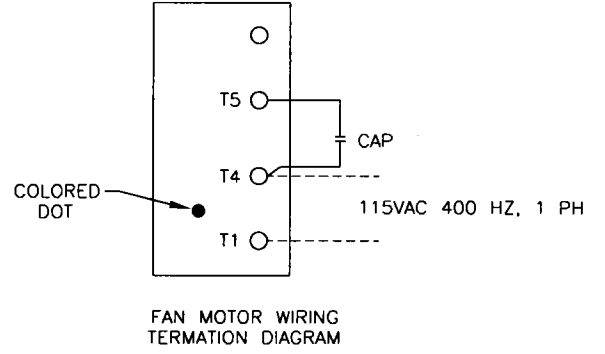
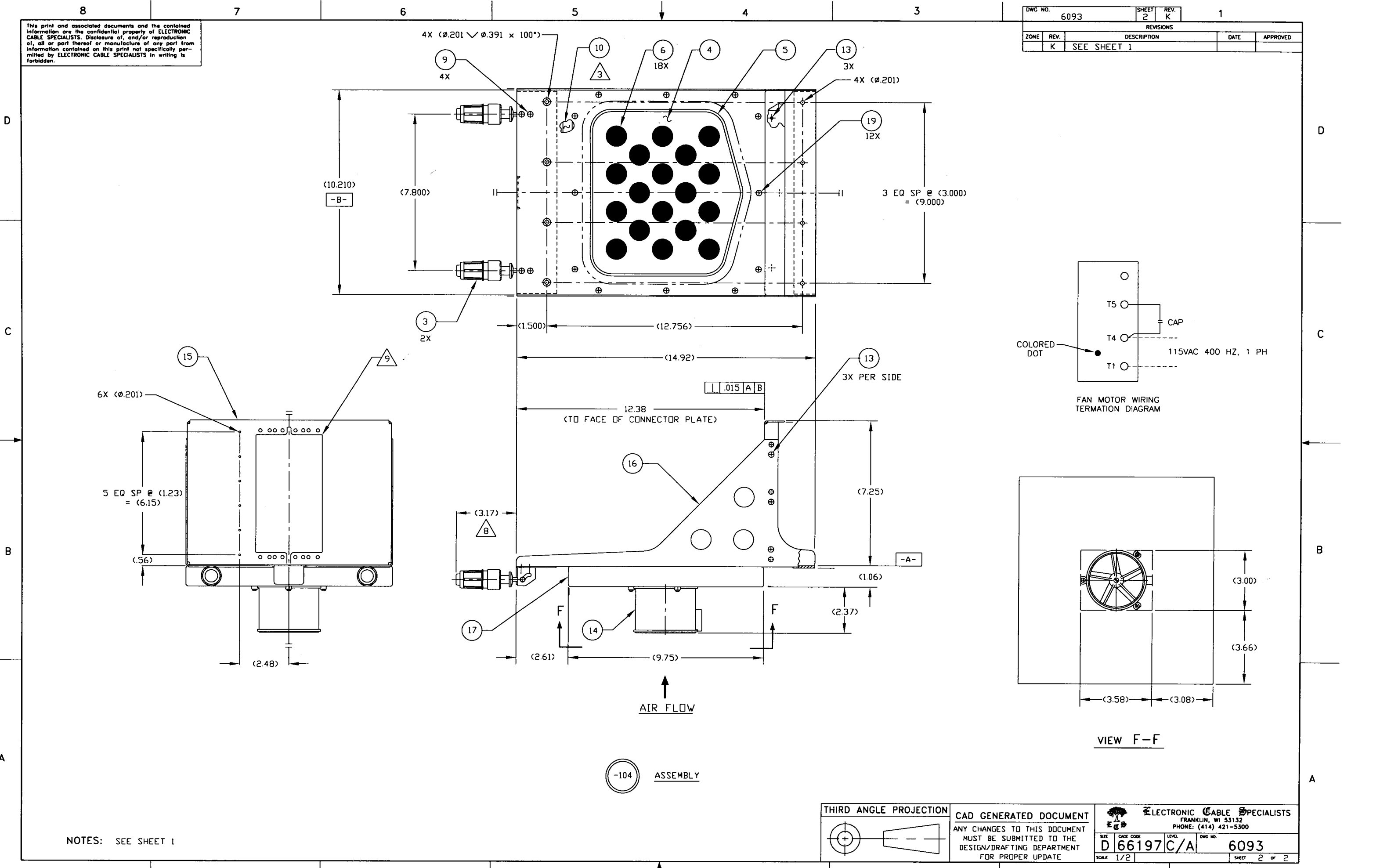
DWG NO.		SH		REV.		1	
6093		1		K			
REVISIONS							
ECN	SHT.	ZONE	REV.	BRIEF DESCRIPTION (SEE ECN FOR FULL DESCRIPTION)	DATE	APPROVED	
			N/C	RELEASED			
			A	ON P/L: ADDED ASSY -103 & ITEMS 11 & 12 ON F/D: ADDED NOTE 4	DS 10/12/92	C ASSEF B KOJIS W SIEBERT	
			B	SEE ECN 164 & 128.	LJH 8/27/93	C ASSEF W SIEBERT	
			C	SEE ECN 1086.	DS 2/22/94	C ASSEF W SIEBERT	
			D	SEE ECN 1122.	LJH 3/3/94	C ASSEF W SIEBERT	
			E	SEE ECN 2273.	KR 12/27/94	K RAIHALA T ANTCZAK	
3178			F	ADDED: -104 ASSY, ITEMS 14-16, NOTE 9-10, AND SHEET 2; DELETED: NOTE 5; CHANGED: ITEM 6	JZ 9/29/95	T ANTCZAK	
3511	2	B5A/B7 A2	G	ITEM 14 REDRAWN ADDED VIEW F-F	JZ 10/20/95	T ANTCZAK	
3595 4297 4880			H	ADDED ITEM 19 CHANGED ITEM 13 QTY -104 ONLY ADDED ITEM 17 ADDED ITEM 18 ADDED -105 ASSY	JZ 11/12/96	T ANTCZAK	
5328	1	P/L	J	CHGD ITEM 19 QTY-101 THRU -105 QTY WAS 8 ADDED 8 SCREWS CHGD BALLDOW WAS 19 8X CHGD BALLDOW WAS 13 17X CHGD ITEM 11 DASH P/N WAS -105 ADDED NOTE 11	JTS 7/13/00	L HECKEL	
5767 9824			P/L BB				
33982	1	C8/D8	K	ADDED FAN SCHEMATICS FOR ITEMS 8 & 11	GJS 7/23/00	STN	

QTY. REQ'D	QTY. REC'D	QTY. REQ'D	QTY. REC'D	QTY. REQ'D	QTY. REC'D	COMPONENTS PART NO. OR IDENTIFYING NO.	NOMENCLATURE OR DESCRIPTION	MATERIAL/SPECIFICATION	CAGE CODE	ITEM NO.					
12	12	12	12	12	12	MS24693-C24	SCREW, FLAT HEAD	(#6-32 X .35 LONG)		19					
1	-	-	-	-	-	S0109CC-608	PLENUM ASSY, 8 MCU	(.040 AL ALLOY 6061)		18					
-	1	-	-	-	-	S0109CC-408	PLENUM ASSY, 8 MCU	(.040 AL ALLOY 6061)		17					
2	-	1	-	-	-	10878-101	TRAY WELDING ASSY, 8 MCU	(.063 AL ALLOY 6061)		16					
2	-	1	-	-	-	10887-101	CONNECTOR PLATE ASSY, 8 MCU	(.063 AL ALLOY 6061)		15					
-	1	-	-	-	-	S0085-116	FAN ASSY, AC			14					
9	9	9	9	9	9	MS24693-C26	SCREW, FLAT HEAD	(#6-32 X .38 LONG)		13					
2	-	-	1	-	-	S0109-208	PLENUM ASSY, 8 MCU	(.040 AL ALLOY 6061)		12					
-	-	-	1	-	-	S0085-106	FAN ASSY, AC			11					
10	3	A/R	A/R	A/R	A/R	A/R	DOW CORNING RTV 3145	ADHESIVE SEALANT CLEAR	(SILICONE RUBBER)	71984					
4	4	4	4	4	4	MS24693-C25	SCREW, FLAT HEAD	(#6-32 X .31 LONG)		9					
-	-	-	-	1	1	S0085-107	FAN ASSY, AC			8					
2	-	-	-	1	1	S0109-108	PLENUM ASSY, 8 MCU	(.040 AL ALLOY 6061)		7					
18	18	18	18	18	18	10736-01	PLUG BUMPER	(RUBBER)		6					
1	1	1	1	1	1	10016-108	DEFM. SEAL, 8 MCU	(SILICONE RUBBER)		5					
2	1	1	1	1	1	10035CC-01	METERING PLATE, 8 MCU	(.040 AL ALLOY 5052 DR 6061)		4					
2	2	2	2	2	2	10344-101	HOLD DOWN, FRONT INSERTION/EXTRACTION			3					
2	1	-	1	1	1	10018CC-110	CONNECTOR PLATE ASSY, 8 MCU	(.063 AL ALLOY 6061)		2					
2	1	-	1	1	1	S0082CC-108	TRAY WELDING ASSY, 8 MCU	(.063 AL ALLOY 6061)		1					
QTY. REQ'D						COMPONENTS PART NO. OR IDENTIFYING NO.		NOMENCLATURE OR DESCRIPTION		MATERIAL/SPECIFICATION		CAGE CODE		ITEM NO.	
-105 -104 -103 -102 -101															

THIRD ANGLE PROJECTION 				WEIGHTS STRESS -105 1 FINAL 96-1749 -104 1 FINAL 95-0407 -101 THRU -103 1 FINAL				UNLESS OTHERWISE SPECIFIED TOLERANCES ARE: FRACTIONS DECIMALS ANGULAR XX 0.03 XX 0.10 XX 0.10 DO NOT SCALE DRAWING				CONTRACT NO. DRAWN BY: D SWITALSKI DATE: 9/17/92 CHECKED BY: C ASSEF DATE: 9/17/92 DESIGNED BY: B KOJIS DATE: 9/17/92 PROJECT ENGR: B KOJIS DATE: 9/17/92 MFG ENGR: F A WHITSON DATE: 9/18/92			
CAD GENERATED DOCUMENT ANY CHANGES TO THIS DOCUMENT MUST BE SUBMITTED TO THE DESIGN/DRAFTING DEPARTMENT FOR PROPER UPDATE				QUALITY ASSURANCE ADDITIONAL APPROVALS DATE				ELECTRONIC CABLE SPECIALISTS FRANKLIN, WI 53132 PHONE: (414) 421-5300							
SCALE 1/2 EFFECTIVITY:				PART LIST TITLE: TRAY ASSY, 8 MCU S/S W/ & W/O BOTTOM FAN SIZE: D 66197 C/A DWG NO: 6093 SHEET 1 OF 2											

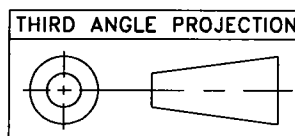
This print and associated documents and the contained information are the confidential property of ELECTRONIC CABLE SPECIALISTS. Disclosure of, and/or reproduction of, all or part thereof or manufacture of any part from information contained on this print not specifically permitted by ELECTRONIC CABLE SPECIALISTS in writing is forbidden.

DWG NO.	6093	SHEET	2	REV.	K	1
REVISIONS						
ZONE	REV.	DESCRIPTION	DATE	APPROVED		
K		SEE SHEET 1				



VIEW F-F

-104 ASSEMBLY



THIRD ANGLE PROJECTION
 CAD GENERATED DOCUMENT
 ANY CHANGES TO THIS DOCUMENT
 MUST BE SUBMITTED TO THE
 DESIGN/DRAFTING DEPARTMENT
 FOR PROPER UPDATE

ELECTRONIC CABLE SPECIALISTS
 FRANKLIN, WI 53132
 PHONE: (414) 421-5300

SIZE	DATE CODE	LEVEL	DWG NO.
D	66197	C/A	6093
SCALE	1/2		SHEET 2 of 2

NOTES: SEE SHEET 1