

This print and associated documents and the contained information are the confidential property of ELECTRONIC CABLE SPECIALISTS. Disclosure of, and/or reproduction of, all or part thereof or manufacture of any part from information contained on this print not specifically permitted by ELECTRONIC CABLE SPECIALISTS in writing is forbidden.

\*\*\*\* EXPORT CONTROLLED DOCUMENT - EAR \*\*\*\*  
The information in this document is subject to the export controls in accordance with the export administration regulations. Diversion contrary to U.S. Law is prohibited.

REVISIONS						
ECN	SHT	ZONE	REV.	DESCRIPTION	DATE	APPROVED
			N/C	RELEASE		
			A	SEE ECN 167 & 128.	LJH 8/4/93	C ASSEF W SIEBERT
			B	SEE ECN 820.	LJH 2/24/94	C ASSEF W SIEBERT
			C	SEE ECN 2950.	JZ 9/10/95	T ANTCZAK
3237	1	P/L		ADDED SHEET 3 FOR CLARIFICATION	JTS 7/13/00	
9824	1	A8		ADDED ASSY 6064 & FLAG NOTE 8		
10396	2	C6/D6		ADDED NOTE 10		
	3	C6		CHGD DIM (2.390) WAS (2.385)		
11988	1	A8	D	CHGD DIM (2.390) WAS (2.385)		
	1	A8		CHGD NOTE 1 WAS ...ANSI Y14.5M-1982		L HECKEL
	1	A8		REVISED NOTE 5		
	1	A8		DELETED NOTES 3, 4, & 6		
	1	A8		ADDED NOTE 9		
	1	A3		ADDED ACT. WT.		
	2	C5		CHGD DIM (3.17) WAS (2.88)		
	2	B3/B4		CHGD (ITEM 8) CALLOUT		
	2	A5		ADDED HOLDDOWN DIM'S		
	3	D7		CHGD HOLE CALLOUT WAS Ø.167		
42398	1	NTS	E	UPDATED NOTE 10.	LJH 2/9/11	<i>AS</i>
	1	BDM		ADDED ITEM 9.		
	1	BDM		ITEM 8, -102 QTY WAS 8.		

QTY REQ'D	QTY REQ'D	QTY REQ'D	QTY REQ'D	COMPONENTS PART NO.	HOMOLOGATION	MATERIAL/SPECIFICATION	CAGE CODE	REF. NO.
-	2	-	-	MS24693-C26	SCREW, FLAT HEAD	(.138-32 X .38 LONG)		9
6	6	8	8	MS24693-C25	SCREW, FLAT HEAD	(.138-32 X .31 LONG)		8
7	7	7	7	10736-07	PLUG BUMPER	(RUBBER)		7
1	1	1	1	10016-102	DEFM. SEAL, 2 MCU	(SILICONE RUBBER)		6
△2	1	1	1	10034CC-01	METERING PLATE 2 MCU	(.040 AL ALLOY 5052 OR 6061)		5
-	1	-	-	S0076-105	HOLD DOWN, FRONT THUMBSCREW			4
-	-	1	1	10344-101	HOLD DOWN, FRONT INSERTION/EXTRACTION			3
△2	1	1	1	10018CC-103	CONNECTOR PLATE 2 MCU	(.063 AL ALLOY 6061)		2
△2	1	1	1	S0079CC-102	TRAY WELDING ASSY, 2 MCU	(.063 AL ALLOY 6061)		1
-103	-102	-101	△8					

- 10. IDENTIFY WITH ECS P/N, LOT# AND SERIAL NUMBER PER EP210.
- △9. UNIVERSAL CONNECTOR CUT-OUT FOR ARINC 600; SIZE 1 & 2
- △8. PART NUMBER FOR THIS ASSEMBLY IS 6064
- △7. MAXIMUM EXTENSION WHEN LRU IS SECURELY FASTENED TO TRAY ASSEMBLY.
- 6. -DELETED-
- 5. DESIGNED TO MEET THE APPLICABLE REQUIREMENTS OF THE FOLLOWING:  
A. ARINC 600 -9, 2MCU  
B. RTCA/DO-160C ENV.CAT. (A3F2)-BABXXXXXXXXXXXXXXXXXX
- 4. -DELETED-
- 3. -DELETED-
- △2. FINISH: (CLEAR CHEM FILM PER MIL-C-5541, CLASS 3).

NOTES: UNLESS OTHERWISE SPECIFIED

**THIRD ANGLE PROJECTION**

**CAD GENERATED DOCUMENT**

ANY CHANGES TO THIS DOCUMENT MUST BE SUBMITTED TO THE DESIGN/DRAFTING DEPARTMENT FOR PROPER UPDATE

WEIGHTS	UNLESS OTHERWISE SPECIFIED DIMENSIONS ARE IN INCHES
STRESS	FRACTIONS DECIMALS 1/8 3/32 1/4 5/32 3/8 1/2 5/8 3/4 7/8 1
	DO NOT SCALE DRAWING
PRODUCTION	TREATMENT
QUALITY ASSURANCE	FINISH
APPLICATION	SIMILAR
	ACT. WT. 6064 1.0 LBS -101 1.0 LBS -102 .75 LBS

**ELECTRONIC CABLE SPECIALISTS**  
FRANKLIN, WI 53132  
PHONE: (414) 421-5300

**TRAY ASSY, 2 MCU SHORT/SHORT**

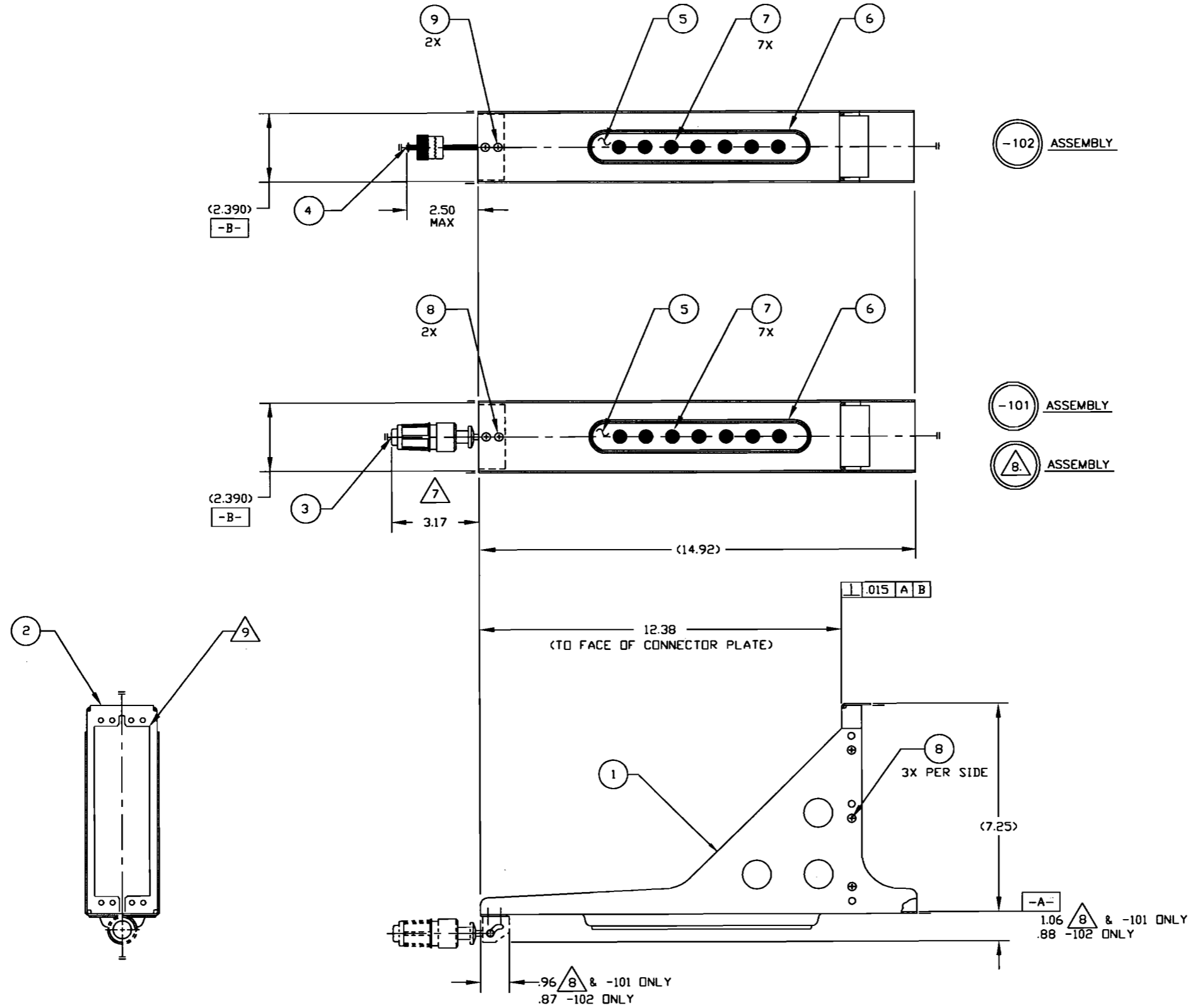
CONTRACT NO. \_\_\_\_\_ DATE \_\_\_\_\_  
DRAWN BY D SWITALSKI DATE 8/28/92  
CHECKED BY C ASSEF DATE 8/28/92  
DESIGNED BY C ASSEF DATE 8/28/92  
PROJECT ENGR DATE \_\_\_\_\_  
MFG ENGR DATE \_\_\_\_\_  
ENGR WGR F WHITSON DATE 8/28/92

SIZE D 66197 C/A 6064  
SCALE 1/2 EFFECTIVITY SHEET 1 OF 3

DWG NO.	6064	SH	2	REV.	E	1
REVISIONS						
ZONE	REV.	DESCRIPTION			DATE	APPROVED
E		SEE SHEET 1.				

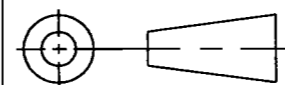
This print and associated documents and the contained information are the confidential property of ELECTRONIC CABLE SPECIALISTS. Disclosure of, and/or reproduction of, all or part thereof or manufacture of any part from information contained on this print not specifically permitted by ELECTRONIC CABLE SPECIALISTS in writing is forbidden.

\*\*\*\* EAR CONTROLLED \*\*\*\*



NOTES: SEE SHEET 1

THIRD ANGLE PROJECTION



CAD GENERATED DOCUMENT

ANY CHANGES TO THIS DOCUMENT MUST BE SUBMITTED TO THE DESIGN/DRAFTING DEPARTMENT FOR PROPER UPDATE



ELECTRONIC CABLE SPECIALISTS  
FRANKLIN, WI 53132  
PHONE: (414) 421-5300

SIZE	CAGE CODE	LEVEL	DWG NO.
D	66197	C/A	6064
SCALE 1/2			SHEET 2 of 3

8

7

6

5

4

3

DWG NO. 6064

SH 3 REV. E

1

This print and associated documents and the contained information are the confidential property of ELECTRONIC CABLE SPECIALISTS. Disclosure of, and/or reproduction of, all or part thereof or manufacture of any part from information contained on this print not specifically permitted by ELECTRONIC CABLE SPECIALISTS in writing is forbidden.

....EAR CONTROLLED....

REVISIONS				
ZONE	REV.	DESCRIPTION	DATE	APPROVED
E		SEE SHEET 1.		

2X (Ø.149 √ Ø.285 X 100")

5

7

7X

6

(2.390)

-B-

(14.92)

1 .015 A B

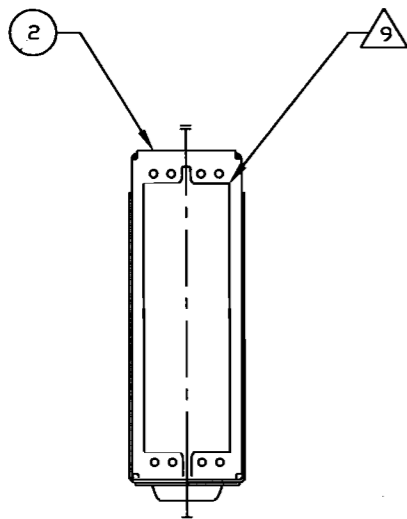
12.38

(TO FACE OF CONNECTOR PLATE)

(7.25)

3X PER SIDE

-A-



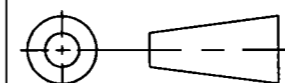
1

8

-103 ASSEMBLY

NOTES: SEE SHEET 1

THIRD ANGLE PROJECTION



CAD GENERATED DOCUMENT

ANY CHANGES TO THIS DOCUMENT MUST BE SUBMITTED TO THE DESIGN/DRAFTING DEPARTMENT FOR PROPER UPDATE

ELECTRONIC CABLE SPECIALISTS  
FRANKLIN, WI 53132  
PHONE: (414) 421-5300

SIZE: D 66197 C/A DWG NO.: 6064

SCALE: 1/2

SHEET 3 of 3

8

7

6

5

4

3

2

1