



ENGINEERING CHANGE NOTICE

ECN No: 54959Sheet 1 of 89

DOCUMENT		REVISION LETTER		NOTIFICATION	
		From	To		
Number:	<input type="checkbox"/> Internal <input type="checkbox"/> External <input type="checkbox"/> SAP Data			<input type="checkbox"/> Electronic Files Associated With This ECN <input checked="" type="checkbox"/> Internal Notification (List Names) BJP, GWG, NR, JRB, <u>IKZK</u>	
Title:		Updated		CHANGE PRIORITY [Sales]	
		Drawing <input type="checkbox"/> C <input type="checkbox"/> Y <input type="checkbox"/> N		Next Scheduled Ship Date: _____	
		CAD Incorporated <input type="checkbox"/> Y <input type="checkbox"/> N		<input type="checkbox"/> Immediate Change	RFQ No: _____
		CAD Promotion <input type="checkbox"/> Y <input type="checkbox"/> N		<input type="checkbox"/> Rolling Change (See Part Disposition)	SO No: _____
RELATED TO	Project No.: <u>184148</u>	Cust Name: <u>CARLISLEIT</u>		Customer No: <u>1</u>	MDL No: _____
	Charge No.: <u>184148</u>	Initial Operator: <u>VARIOUS</u>		Aircraft Model: <u>VARIOUS</u>	
	Ref PSCR No: _____	System: <u>VARIOUS</u>		Ref ECN Nos: _____	
REASON FOR CHANGE (SELECT ONE)					
<input type="checkbox"/> New Release		<input type="checkbox"/> Drawing Error		<input type="checkbox"/> New Configuration	
<input type="checkbox"/> Cost Reduction		<input type="checkbox"/> Design Change		<input type="checkbox"/> Released for Parts List Only	
<input checked="" type="checkbox"/> Customer Change		<input type="checkbox"/> Clarification		<input type="checkbox"/> Civil Aviation Authority	
				<input type="checkbox"/> Other	
Description of problem or cause: <u>INCORPORATION OF ALTERNATE IE HOLD DOWN (P/N 200-33899-101) REQUIRED VIA UNINCORPORATED ECN.</u>					
MEANS OF DEMONSTRATING COMPLIANCE					
<input checked="" type="checkbox"/> Calculation / Analysis		<input checked="" type="checkbox"/> Test		<input type="checkbox"/> Engineering Review / Judgment	
				<input type="checkbox"/> Customer Responsibility	
				<input type="checkbox"/> None Needed	
CERTIFICATION/PRODUCT APPROVAL APPROACH (SELECT ONE)				CIT Providing 8110-3 Form Approval	
<input type="checkbox"/> ECS STC		<input type="checkbox"/> TC Holder Approval		<input type="checkbox"/> PMA	
<input type="checkbox"/> Customer STC		<input type="checkbox"/> Customer Responsibility		<input checked="" type="checkbox"/> N/A	
				<input type="checkbox"/> Yes <input checked="" type="checkbox"/> No	
Prepared By: <u>Broad Pappas</u>	Date: <u>3/12/15</u> Time:	Production Planning: <u>[Signature]</u>	Date: <u>3/12/15</u> Time: <u>11:23 AM</u>	Configuration Mgmt. <u>[Signature]</u>	Date: <u>3/15</u> Time:
Engineering Supervisor/Mgr: <u>Dan S. Knott</u>	Date: <u>3/12/15</u> Time:	Manufacturing Engineering: <u>Hol Cousins</u>	Date: <u>3/12/15</u> Time:	<u>Master Data</u> <u>Jenille Goodhue</u>	Date: <u>3/12/15</u> Time:
Purchasing: <u>James Williams</u>	Date: <u>3/13/15</u> Time:	Quality: <u>[Signature]</u>	Date: <u>3-12/15</u> Time:		Date: Time:



ENGINEERING CHANGE NOTICE
(Affected Document Sheet)

ECN No: 54959

Sheet 2 of 9

DOCUMENT LIST		REVISION LETTER		DOCUMENT LIST		REVISION LETTER	
Number: 6194	<input checked="" type="checkbox"/> Internal <input type="checkbox"/> External <input checked="" type="checkbox"/> SAP Data	From	To	Number: 200-89569-101	<input checked="" type="checkbox"/> Internal <input type="checkbox"/> External <input checked="" type="checkbox"/> SAP Data	From	To
		C	/			N/C	/
Title: TRAY ASSY, 6 MCU S/S W/ BOTTOM FAN AND MTG HOLES		Updated		Title: TRAY ASSEMBLY, LEFT SIDE AC FAN, 8 MCU S/S		Updated	
		Drawing	<input type="checkbox"/> C <input type="checkbox"/> Y <input checked="" type="checkbox"/> N			Drawing	<input type="checkbox"/> C <input type="checkbox"/> Y <input checked="" type="checkbox"/> N
		CAD Incorporated	<input type="checkbox"/> Y <input checked="" type="checkbox"/> N			CAD Incorporated	<input type="checkbox"/> Y <input checked="" type="checkbox"/> N
		CAD Promotion	<input type="checkbox"/> Y <input checked="" type="checkbox"/> N			CAD Promotion	<input type="checkbox"/> Y <input checked="" type="checkbox"/> N
Number: 200-89249-101	<input checked="" type="checkbox"/> Internal <input type="checkbox"/> External <input checked="" type="checkbox"/> SAP Data	From	To	Number: 200-91171-102	<input checked="" type="checkbox"/> Internal <input type="checkbox"/> External <input checked="" type="checkbox"/> SAP Data	From	To
		N/C	/			B	/
Title: TRAY ASSEMBLY, 5 MCU S/S		Updated		Title: TRAY ASSY, 8 MCU S/S W/ LEFT SIDE MTD FAN		Updated	
		Drawing	<input type="checkbox"/> C <input type="checkbox"/> Y <input checked="" type="checkbox"/> N			Drawing	<input type="checkbox"/> C <input type="checkbox"/> Y <input checked="" type="checkbox"/> N
		CAD Incorporated	<input type="checkbox"/> Y <input checked="" type="checkbox"/> N			CAD Incorporated	<input type="checkbox"/> Y <input checked="" type="checkbox"/> N
		CAD Promotion	<input type="checkbox"/> Y <input checked="" type="checkbox"/> N			CAD Promotion	<input type="checkbox"/> Y <input checked="" type="checkbox"/> N
Number: 200-17863-101	<input checked="" type="checkbox"/> Internal <input type="checkbox"/> External <input checked="" type="checkbox"/> SAP Data	From	To	Number: 6152	<input checked="" type="checkbox"/> Internal <input type="checkbox"/> External <input checked="" type="checkbox"/> SAP Data	From	To
		N/C	/			E	/
Title: TRAY ASSEMBLY, 2 MCU S/L		Updated		Title: TRAY ASSY, 2 MCU S/S W/ MTG HOLES		Updated	
		Drawing	<input type="checkbox"/> C <input type="checkbox"/> Y <input checked="" type="checkbox"/> N			Drawing	<input type="checkbox"/> C <input type="checkbox"/> Y <input checked="" type="checkbox"/> N
		CAD Incorporated	<input type="checkbox"/> Y <input checked="" type="checkbox"/> N			CAD Incorporated	<input type="checkbox"/> Y <input checked="" type="checkbox"/> N
		CAD Promotion	<input type="checkbox"/> Y <input checked="" type="checkbox"/> N			CAD Promotion	<input type="checkbox"/> Y <input checked="" type="checkbox"/> N
Number: 200-89568-101	<input checked="" type="checkbox"/> Internal <input type="checkbox"/> External <input checked="" type="checkbox"/> SAP Data	From	To	Number: 6283	<input checked="" type="checkbox"/> Internal <input type="checkbox"/> External <input checked="" type="checkbox"/> SAP Data	From	To
		A	/			B	/
Title: TRAY ASSEMBLY, LEFT SIDE AC FAN, 6 MCU S/S		Updated		Title: TRAY ASSY, 6 MCU S/S WITH BOTTOM HIGH ALTITUDE FAN		Updated	
		Drawing	<input type="checkbox"/> C <input type="checkbox"/> Y <input checked="" type="checkbox"/> N			Drawing	<input type="checkbox"/> C <input type="checkbox"/> Y <input checked="" type="checkbox"/> N
		CAD Incorporated	<input type="checkbox"/> Y <input checked="" type="checkbox"/> N			CAD Incorporated	<input type="checkbox"/> Y <input checked="" type="checkbox"/> N
		CAD Promotion	<input type="checkbox"/> Y <input checked="" type="checkbox"/> N			CAD Promotion	<input type="checkbox"/> Y <input checked="" type="checkbox"/> N



ENGINEERING CHANGE NOTICE
(Affected Document Sheet)

ECN No: 54959

Sheet 3 of 9

DOCUMENT LIST		REVISION LETTER		DOCUMENT LIST		REVISION LETTER	
Number: 6147	<input checked="" type="checkbox"/> Internal <input type="checkbox"/> External <input checked="" type="checkbox"/> SAP Data	From D	To /	Number: 6-03S1B4C0	<input checked="" type="checkbox"/> Internal <input type="checkbox"/> External <input checked="" type="checkbox"/> SAP Data	From N/C	To / A
Title: TRAY ASSY, 4 MCU W/ SPECIAL LENGTH		Updated		Title: TRAY ASSEMBLY, S/S, 3 MCU		Updated	
		Drawing <input type="checkbox"/> C <input type="checkbox"/> Y <input checked="" type="checkbox"/> N				Drawing <input type="checkbox"/> C <input type="checkbox"/> Y <input checked="" type="checkbox"/> N	
		CAD Incorporated <input type="checkbox"/> Y <input checked="" type="checkbox"/> N				CAD Incorporated <input type="checkbox"/> Y <input checked="" type="checkbox"/> N	
		CAD Promotion <input type="checkbox"/> Y <input checked="" type="checkbox"/> N				CAD Promotion <input type="checkbox"/> Y <input checked="" type="checkbox"/> N	
Number:	<input type="checkbox"/> Internal <input type="checkbox"/> External <input type="checkbox"/> SAP Data	From	To	Number: 6-05S1C4C0	<input checked="" type="checkbox"/> Internal <input type="checkbox"/> External <input checked="" type="checkbox"/> SAP Data	From N/C	To / A
Title:		Updated		Title: TRAY ASSEMBLY, 5 MCU S/S W/ CUTOUT		Updated	
		Drawing <input type="checkbox"/> C <input type="checkbox"/> Y <input type="checkbox"/> N				Drawing <input type="checkbox"/> C <input type="checkbox"/> Y <input checked="" type="checkbox"/> N	
		CAD Incorporated <input type="checkbox"/> Y <input type="checkbox"/> N				CAD Incorporated <input type="checkbox"/> Y <input checked="" type="checkbox"/> N	
		CAD Promotion <input type="checkbox"/> Y <input type="checkbox"/> N				CAD Promotion <input type="checkbox"/> Y <input checked="" type="checkbox"/> N	
Number: 6138	<input checked="" type="checkbox"/> Internal <input type="checkbox"/> External <input checked="" type="checkbox"/> SAP Data	From A	To /	Number: 200-91171-101	<input checked="" type="checkbox"/> Internal <input type="checkbox"/> External <input checked="" type="checkbox"/> SAP Data	From N/C	To /
Title: TRAY ASSY, 7 MCU SHORT/SHORT		Updated		Title: TRAY ASSY, 8 MCU S/S W/ LEFT SIDE MTD FAN		Updated	
		Drawing <input type="checkbox"/> C <input type="checkbox"/> Y <input checked="" type="checkbox"/> N				Drawing <input type="checkbox"/> C <input type="checkbox"/> Y <input checked="" type="checkbox"/> N	
		CAD Incorporated <input type="checkbox"/> Y <input checked="" type="checkbox"/> N				CAD Incorporated <input type="checkbox"/> Y <input checked="" type="checkbox"/> N	
		CAD Promotion <input type="checkbox"/> Y <input checked="" type="checkbox"/> N				CAD Promotion <input type="checkbox"/> Y <input checked="" type="checkbox"/> N	
Number: 6045-101	<input checked="" type="checkbox"/> Internal <input type="checkbox"/> External <input checked="" type="checkbox"/> SAP Data	From J	To /	Number: 6045-102	<input checked="" type="checkbox"/> Internal <input type="checkbox"/> External <input checked="" type="checkbox"/> SAP Data	From J	To /
Title: TRAY ASSY, 6 MCU S/L		Updated		Title: TRAY ASSY, REAR FAN, 6 MCU S/L		Updated	
		Drawing <input type="checkbox"/> C <input type="checkbox"/> Y <input checked="" type="checkbox"/> N				Drawing <input type="checkbox"/> C <input type="checkbox"/> Y <input checked="" type="checkbox"/> N	
		CAD Incorporated <input type="checkbox"/> Y <input checked="" type="checkbox"/> N				CAD Incorporated <input type="checkbox"/> Y <input checked="" type="checkbox"/> N	
		CAD Promotion <input type="checkbox"/> Y <input checked="" type="checkbox"/> N				CAD Promotion <input type="checkbox"/> Y <input checked="" type="checkbox"/> N	



ENGINEERING CHANGE NOTICE
(Affected Document Sheet)

ECN No: 54959

Sheet 4 of 9

DOCUMENT LIST		REVISION LETTER		DOCUMENT LIST		REVISION LETTER	
Number: 6045-103	<input checked="" type="checkbox"/> Internal <input type="checkbox"/> External <input checked="" type="checkbox"/> SAP Data	From	To	Number:	<input type="checkbox"/> Internal <input type="checkbox"/> External <input type="checkbox"/> SAP Data	From	To
		J	/				
Title: TRAY ASSY, REAR FAN, 6 MCU S/L		Updated		Title:		Updated	
		Drawing	<input type="checkbox"/> C <input type="checkbox"/> Y <input checked="" type="checkbox"/> N			Drawing	<input type="checkbox"/> C <input type="checkbox"/> Y <input type="checkbox"/> N
		CAD Incorporated	<input type="checkbox"/> Y <input checked="" type="checkbox"/> N			CAD Incorporated	<input type="checkbox"/> Y <input type="checkbox"/> N
		CAD Promotion	<input type="checkbox"/> Y <input checked="" type="checkbox"/> N			CAD Promotion	<input type="checkbox"/> Y <input type="checkbox"/> N
Number: 6045-104	<input checked="" type="checkbox"/> Internal <input type="checkbox"/> External <input checked="" type="checkbox"/> SAP Data	From	To	Number:	<input type="checkbox"/> Internal <input type="checkbox"/> External <input type="checkbox"/> SAP Data	From	To
		BH	/				
Title: TRAY ASSY, REAR FAN, 6 MCU S/L		Updated		Title:		Updated	
		Drawing	<input type="checkbox"/> C <input type="checkbox"/> Y <input checked="" type="checkbox"/> N			Drawing	<input type="checkbox"/> C <input type="checkbox"/> Y <input type="checkbox"/> N
		CAD Incorporated	<input type="checkbox"/> Y <input checked="" type="checkbox"/> N			CAD Incorporated	<input type="checkbox"/> Y <input type="checkbox"/> N
		CAD Promotion	<input type="checkbox"/> Y <input checked="" type="checkbox"/> N			CAD Promotion	<input type="checkbox"/> Y <input type="checkbox"/> N
Number: 6045-109	<input checked="" type="checkbox"/> Internal <input type="checkbox"/> External <input checked="" type="checkbox"/> SAP Data	From	To	Number:	<input type="checkbox"/> Internal <input type="checkbox"/> External <input type="checkbox"/> SAP Data	From	To
		J	/				
Title: TRAY ASSY, REAR FAN, 6 MCU S/L		Updated		Title:		Updated	
		Drawing	<input type="checkbox"/> C <input type="checkbox"/> Y <input checked="" type="checkbox"/> N			Drawing	<input type="checkbox"/> C <input type="checkbox"/> Y <input type="checkbox"/> N
		CAD Incorporated	<input type="checkbox"/> Y <input checked="" type="checkbox"/> N			CAD Incorporated	<input type="checkbox"/> Y <input type="checkbox"/> N
		CAD Promotion	<input type="checkbox"/> Y <input checked="" type="checkbox"/> N			CAD Promotion	<input type="checkbox"/> Y <input type="checkbox"/> N
Number:	<input type="checkbox"/> Internal <input type="checkbox"/> External <input type="checkbox"/> SAP Data	From	To	Number:	<input type="checkbox"/> Internal <input type="checkbox"/> External <input type="checkbox"/> SAP Data	From	To
Title:		Updated		Title:		Updated	
		Drawing	<input type="checkbox"/> C <input type="checkbox"/> Y <input type="checkbox"/> N			Drawing	<input type="checkbox"/> C <input type="checkbox"/> Y <input type="checkbox"/> N
		CAD Incorporated	<input type="checkbox"/> Y <input type="checkbox"/> N			CAD Incorporated	<input type="checkbox"/> Y <input type="checkbox"/> N
		CAD Promotion	<input type="checkbox"/> Y <input type="checkbox"/> N			CAD Promotion	<input type="checkbox"/> Y <input type="checkbox"/> N



ENGINEERING CHANGE NOTICE
(Parts Disposition Sheet)

ECN No: 54959

Sheet 5 of 9

PART NUMBER	CONFIGURATION CONTROL BOARD COMMENTS									
	DISPOSITION OF INVENTORY RS=Use as is RW=Rework SC=Scrap						BREAK-IN-POINT			
P/N: 6194-101 - ()	<input checked="" type="checkbox"/> No Stock	Batch #	Qty	RS	RW	SC	<input checked="" type="checkbox"/> Next Order	<input type="checkbox"/> In Field		
Special instructions:	<input type="checkbox"/> See CCB Section	_____	_____	<input type="checkbox"/>	<input type="checkbox"/>	<input type="checkbox"/>	<input type="checkbox"/> Purchase Ord # _____	<input type="checkbox"/> Bulletin		
	<input type="checkbox"/> Process, Material or Routing Change	_____	_____	<input type="checkbox"/>	<input type="checkbox"/>	<input type="checkbox"/>	<input type="checkbox"/> Sales Ord # _____	<input type="checkbox"/> Required		
	<input type="checkbox"/> _____ FAI	_____	_____	<input type="checkbox"/>	<input type="checkbox"/>	<input type="checkbox"/>	<input type="checkbox"/> Production Ord # _____	<input type="checkbox"/> Parts		
	<input type="checkbox"/> No Cost Impact	_____	_____	<input type="checkbox"/>	<input type="checkbox"/>	<input type="checkbox"/>	<input type="checkbox"/> Planned Ord # _____	<input type="checkbox"/> Required		
							Rework Kit P/N _____			
P/N: 200-89249-101	<input checked="" type="checkbox"/> No Stock	Batch #	Qty	RS	RW	SC	<input type="checkbox"/> Next Order	<input type="checkbox"/> In Field		
Special instructions:	<input type="checkbox"/> See CCB Section	_____	_____	<input type="checkbox"/>	<input type="checkbox"/>	<input type="checkbox"/>	<input type="checkbox"/> Purchase Ord # _____	<input type="checkbox"/> Bulletin		
	<input type="checkbox"/> Process, Material or Routing Change	_____	_____	<input type="checkbox"/>	<input type="checkbox"/>	<input type="checkbox"/>	<input checked="" type="checkbox"/> Sales Ord # <u>16074e</u>	<input type="checkbox"/> Required		
	<input type="checkbox"/> _____ FAI	_____	_____	<input type="checkbox"/>	<input type="checkbox"/>	<input type="checkbox"/>	<input type="checkbox"/> Production Ord # _____	<input type="checkbox"/> Parts		
	<input type="checkbox"/> No Cost Impact	_____	_____	<input type="checkbox"/>	<input type="checkbox"/>	<input type="checkbox"/>	<input checked="" type="checkbox"/> Planned Ord # <u>0015671024024</u>	<input type="checkbox"/> Required		
							Rework Kit P/N _____			
P/N: 200-17863-101	<input checked="" type="checkbox"/> No Stock	Batch #	Qty	RS	RW	SC	<input checked="" type="checkbox"/> Next Order	<input type="checkbox"/> In Field		
Special instructions:	<input type="checkbox"/> See CCB Section	_____	_____	<input type="checkbox"/>	<input type="checkbox"/>	<input type="checkbox"/>	<input type="checkbox"/> Purchase Ord # _____	<input type="checkbox"/> Bulletin		
	<input type="checkbox"/> Process, Material or Routing Change	_____	_____	<input type="checkbox"/>	<input type="checkbox"/>	<input type="checkbox"/>	<input type="checkbox"/> Sales Ord # _____	<input type="checkbox"/> Required		
	<input type="checkbox"/> _____ FAI	_____	_____	<input type="checkbox"/>	<input type="checkbox"/>	<input type="checkbox"/>	<input type="checkbox"/> Production Ord # _____	<input type="checkbox"/> Parts		
	<input type="checkbox"/> No Cost Impact	_____	_____	<input type="checkbox"/>	<input type="checkbox"/>	<input type="checkbox"/>	<input type="checkbox"/> Planned Ord # _____	<input type="checkbox"/> Required		
							Rework Kit P/N _____			
P/N: 200-89568-101	<input checked="" type="checkbox"/> No Stock	Batch #	Qty	RS	RW	SC	<input checked="" type="checkbox"/> Next Order	<input type="checkbox"/> In Field		
Special instructions:	<input type="checkbox"/> See CCB Section	_____	_____	<input type="checkbox"/>	<input type="checkbox"/>	<input type="checkbox"/>	<input type="checkbox"/> Purchase Ord # _____	<input type="checkbox"/> Bulletin		
<i>S.O. #165941 & w.o. #2799247 are use as-IS.</i>	<input type="checkbox"/> Process, Material or Routing Change	_____	_____	<input type="checkbox"/>	<input type="checkbox"/>	<input type="checkbox"/>	<input checked="" type="checkbox"/> Sales Ord # <u>165941</u> <i>use</i>	<input type="checkbox"/> Required		
	<input type="checkbox"/> _____ FAI	_____	_____	<input type="checkbox"/>	<input type="checkbox"/>	<input type="checkbox"/>	<input checked="" type="checkbox"/> Production Ord # <u>2799247 (CRD)</u>	<input type="checkbox"/> Parts		
	<input type="checkbox"/> No Cost Impact	_____	_____	<input type="checkbox"/>	<input type="checkbox"/>	<input type="checkbox"/>	<input type="checkbox"/> Planned Ord # _____	<input type="checkbox"/> Required		
							Rework Kit P/N _____			
P/N: 200-89569-101	<input checked="" type="checkbox"/> No Stock	Batch #	Qty	RS	RW	SC	<input type="checkbox"/> Next Order	<input type="checkbox"/> In Field		
Special instructions:	<input type="checkbox"/> See CCB Section	_____	_____	<input type="checkbox"/>	<input type="checkbox"/>	<input type="checkbox"/>	<input type="checkbox"/> Purchase Ord # _____	<input type="checkbox"/> Bulletin		
<i>S.O. #168980 & w.o. #280082 are use as-IS.</i>	<input type="checkbox"/> Process, Material or Routing Change	_____	_____	<input type="checkbox"/>	<input type="checkbox"/>	<input type="checkbox"/>	<input checked="" type="checkbox"/> Sales Ord # <u>168980</u> <i>use</i> <u>156006</u>	<input type="checkbox"/> Required		
	<input type="checkbox"/> _____ FAI	_____	_____	<input type="checkbox"/>	<input type="checkbox"/>	<input type="checkbox"/>	<input checked="" type="checkbox"/> Production Ord # <u>280082 (CRD)</u>	<input type="checkbox"/> Parts		
	<input type="checkbox"/> No Cost Impact	_____	_____	<input type="checkbox"/>	<input type="checkbox"/>	<input type="checkbox"/>	<input checked="" type="checkbox"/> Planned Ord # <u>0015671029-15671029</u>	<input type="checkbox"/> Required		
							Rework Kit P/N _____			



ENGINEERING CHANGE NOTICE
(Parts Disposition Sheet)

ECN No: 54959

Sheet 6 of 9

PART NUMBER	CONFIGURATION CONTROL BOARD COMMENTS																		
	DISPOSITION OF INVENTORY RS=Use as is RW=Rework SC=Scrap						BREAK-IN-POINT												
	<input checked="" type="checkbox"/> No Stock	<input type="checkbox"/> See CCB Section	<input type="checkbox"/> Process, Material or Routing Change	<input type="checkbox"/> _____ FAI	<input type="checkbox"/> No Cost Impact	<u>Batch #</u>	<u>Qty</u>	<u>RS</u>	<u>RW</u>	<u>SC</u>	<input checked="" type="checkbox"/> Next Order	<input type="checkbox"/> Purchase Ord # _____	<input type="checkbox"/> Sales Ord # _____	<input type="checkbox"/> Production Ord # _____	<input type="checkbox"/> Planned Ord # _____	<input type="checkbox"/> Rework Kit P/N _____	<input type="checkbox"/> In Field	<input type="checkbox"/> Bulletin Required	<input type="checkbox"/> Parts Required
P/N: 200-91171-102 Special instructions:	<input checked="" type="checkbox"/> No Stock	<input type="checkbox"/> See CCB Section	<input type="checkbox"/> Process, Material or Routing Change	<input type="checkbox"/> _____ FAI	<input type="checkbox"/> No Cost Impact	_____	_____	<input type="checkbox"/>	<input type="checkbox"/>	<input type="checkbox"/>	<input checked="" type="checkbox"/> Next Order	<input type="checkbox"/> Purchase Ord # _____	<input type="checkbox"/> Sales Ord # _____	<input type="checkbox"/> Production Ord # _____	<input type="checkbox"/> Planned Ord # _____	<input type="checkbox"/> Rework Kit P/N _____	<input type="checkbox"/> In Field	<input type="checkbox"/> Bulletin Required	<input type="checkbox"/> Parts Required
P/N: 6152 - () Special instructions: INCLUDES THE -101 AND -102 CONFIGURATIONS. NO STOCK AVAILABLE FOR EITHER.	<input checked="" type="checkbox"/> No Stock	<input type="checkbox"/> See CCB Section	<input type="checkbox"/> Process, Material or Routing Change	<input type="checkbox"/> _____ FAI	<input type="checkbox"/> No Cost Impact	_____	_____	<input type="checkbox"/>	<input type="checkbox"/>	<input type="checkbox"/>	<input checked="" type="checkbox"/> Next Order	<input type="checkbox"/> Purchase Ord # _____	<input type="checkbox"/> Sales Ord # _____	<input type="checkbox"/> Production Ord # _____	<input type="checkbox"/> Planned Ord # _____	<input type="checkbox"/> Rework Kit P/N _____	<input type="checkbox"/> In Field	<input type="checkbox"/> Bulletin Required	<input type="checkbox"/> Parts Required
P/N: 6283-101 Special instructions:	<input checked="" type="checkbox"/> No Stock	<input type="checkbox"/> See CCB Section	<input type="checkbox"/> Process, Material or Routing Change	<input type="checkbox"/> _____ FAI	<input type="checkbox"/> No Cost Impact	_____	_____	<input type="checkbox"/>	<input type="checkbox"/>	<input type="checkbox"/>	<input checked="" type="checkbox"/> Next Order	<input type="checkbox"/> Purchase Ord # _____	<input type="checkbox"/> Sales Ord # _____	<input type="checkbox"/> Production Ord # _____	<input type="checkbox"/> Planned Ord # _____	<input type="checkbox"/> Rework Kit P/N _____	<input type="checkbox"/> In Field	<input type="checkbox"/> Bulletin Required	<input type="checkbox"/> Parts Required
P/N: 6147-101 Special instructions:	<input checked="" type="checkbox"/> No Stock	<input type="checkbox"/> See CCB Section	<input type="checkbox"/> Process, Material or Routing Change	<input type="checkbox"/> _____ FAI	<input type="checkbox"/> No Cost Impact	_____	_____	<input type="checkbox"/>	<input type="checkbox"/>	<input type="checkbox"/>	<input checked="" type="checkbox"/> Next Order	<input type="checkbox"/> Purchase Ord # _____	<input type="checkbox"/> Sales Ord # _____	<input type="checkbox"/> Production Ord # _____	<input type="checkbox"/> Planned Ord # _____	<input type="checkbox"/> Rework Kit P/N _____	<input type="checkbox"/> In Field	<input type="checkbox"/> Bulletin Required	<input type="checkbox"/> Parts Required
P/N: 6147-102 Special instructions:	<input checked="" type="checkbox"/> No Stock	<input type="checkbox"/> See CCB Section	<input type="checkbox"/> Process, Material or Routing Change	<input type="checkbox"/> _____ FAI	<input type="checkbox"/> No Cost Impact	_____	_____	<input type="checkbox"/>	<input type="checkbox"/>	<input type="checkbox"/>	<input checked="" type="checkbox"/> Next Order	<input type="checkbox"/> Purchase Ord # _____	<input type="checkbox"/> Sales Ord # _____	<input type="checkbox"/> Production Ord # _____	<input type="checkbox"/> Planned Ord # _____	<input type="checkbox"/> Rework Kit P/N _____	<input type="checkbox"/> In Field	<input type="checkbox"/> Bulletin Required	<input type="checkbox"/> Parts Required



ENGINEERING CHANGE NOTICE
(Parts Disposition Sheet)

ECN No: 54959

Sheet 7 of 9

PART NUMBER	CONFIGURATION CONTROL BOARD COMMENTS									
	DISPOSITION OF INVENTORY RS=Use as is RW=Rework SC=Scrap						BREAK-IN-POINT			
P/N: 6138- 102 - ()	<input checked="" type="checkbox"/> No Stock	Batch #	Qty	RS	RW	SC	<input checked="" type="checkbox"/> Next Order	<input type="checkbox"/> In Field		
Special instructions:	<input type="checkbox"/> See CCB Section	_____	_____	<input type="checkbox"/>	<input type="checkbox"/>	<input type="checkbox"/>	<input type="checkbox"/> Purchase Ord # _____	<input type="checkbox"/> Bulletin		
	<input type="checkbox"/> Process, Material or Routing Change	_____	_____	<input type="checkbox"/>	<input type="checkbox"/>	<input type="checkbox"/>	<input type="checkbox"/> Sales Ord # _____	<input type="checkbox"/> Required		
	<input type="checkbox"/> _____ FAI	_____	_____	<input type="checkbox"/>	<input type="checkbox"/>	<input type="checkbox"/>	<input type="checkbox"/> Production Ord # _____	<input type="checkbox"/> Parts		
	<input type="checkbox"/> No Cost Impact	_____	_____	<input type="checkbox"/>	<input type="checkbox"/>	<input type="checkbox"/>	<input type="checkbox"/> Planned Ord # _____	<input type="checkbox"/> Required		
							Rework Kit P/N _____			
P/N: 6045 - ()	<input checked="" type="checkbox"/> No Stock	Batch #	Qty	RS	RW	SC	<input checked="" type="checkbox"/> Next Order	<input type="checkbox"/> In Field		
Special instructions:	<input type="checkbox"/> See CCB Section	_____	_____	<input type="checkbox"/>	<input type="checkbox"/>	<input type="checkbox"/>	<input type="checkbox"/> Purchase Ord # _____	<input type="checkbox"/> Bulletin		
THIS INCLUDES -101, -102, -103, -104, AND -109. NO STOCK AVAILABLE FOR ANY CONFIGURATION	<input type="checkbox"/> Process, Material or Routing Change	_____	_____	<input type="checkbox"/>	<input type="checkbox"/>	<input type="checkbox"/>	<input type="checkbox"/> Sales Ord # _____	<input type="checkbox"/> Required		
	<input type="checkbox"/> _____ FAI	_____	_____	<input type="checkbox"/>	<input type="checkbox"/>	<input type="checkbox"/>	<input type="checkbox"/> Production Ord # _____	<input type="checkbox"/> Parts		
	<input type="checkbox"/> No Cost Impact	_____	_____	<input type="checkbox"/>	<input type="checkbox"/>	<input type="checkbox"/>	<input type="checkbox"/> Planned Ord # _____	<input type="checkbox"/> Required		
							Rework Kit P/N _____			
P/N: 6-03S1B4C0	<input checked="" type="checkbox"/> No Stock	Batch #	Qty	RS	RW	SC	<input checked="" type="checkbox"/> Next Order	<input type="checkbox"/> In Field		
Special instructions:	<input type="checkbox"/> See CCB Section	_____	_____	<input type="checkbox"/>	<input type="checkbox"/>	<input type="checkbox"/>	<input type="checkbox"/> Purchase Ord # _____	<input type="checkbox"/> Bulletin		
S.O. # 172153 & W.O. # 2823268 use 25-13.	<input type="checkbox"/> Process, Material or Routing Change	_____	_____	<input type="checkbox"/>	<input type="checkbox"/>	<input type="checkbox"/>	<input checked="" type="checkbox"/> Sales Ord # <u>172153</u>	<input type="checkbox"/> Required		
	<input type="checkbox"/> _____ FAI	_____	_____	<input type="checkbox"/>	<input type="checkbox"/>	<input type="checkbox"/>	<input checked="" type="checkbox"/> Production Ord # <u>2823268 (C.R.T.D)</u>	<input type="checkbox"/> Parts		
	<input type="checkbox"/> No Cost Impact	_____	_____	<input type="checkbox"/>	<input type="checkbox"/>	<input type="checkbox"/>	<input checked="" type="checkbox"/> Planned Ord # <u>0015671520</u>	<input type="checkbox"/> Required		
							Rework Kit P/N _____			
P/N: 6-05S1C4C0	<input checked="" type="checkbox"/> No Stock	Batch #	Qty	RS	RW	SC	<input checked="" type="checkbox"/> Next Order	<input type="checkbox"/> In Field		
Special instructions:	<input type="checkbox"/> See CCB Section	_____	_____	<input type="checkbox"/>	<input type="checkbox"/>	<input type="checkbox"/>	<input type="checkbox"/> Purchase Ord # _____	<input type="checkbox"/> Bulletin		
	<input type="checkbox"/> Process, Material or Routing Change	_____	_____	<input type="checkbox"/>	<input type="checkbox"/>	<input type="checkbox"/>	<input type="checkbox"/> Sales Ord # _____	<input type="checkbox"/> Required		
	<input type="checkbox"/> _____ FAI	_____	_____	<input type="checkbox"/>	<input type="checkbox"/>	<input type="checkbox"/>	<input type="checkbox"/> Production Ord # _____	<input type="checkbox"/> Parts		
	<input type="checkbox"/> No Cost Impact	_____	_____	<input type="checkbox"/>	<input type="checkbox"/>	<input type="checkbox"/>	<input type="checkbox"/> Planned Ord # _____	<input type="checkbox"/> Required		
							Rework Kit P/N _____			
P/N: 200-91171-101	<input checked="" type="checkbox"/> No Stock	Batch #	Qty	RS	RW	SC	<input checked="" type="checkbox"/> Next Order	<input type="checkbox"/> In Field		
Special instructions:	<input type="checkbox"/> See CCB Section	_____	_____	<input type="checkbox"/>	<input type="checkbox"/>	<input type="checkbox"/>	<input type="checkbox"/> Purchase Ord # _____	<input type="checkbox"/> Bulletin		
	<input type="checkbox"/> Process, Material or Routing Change	_____	_____	<input type="checkbox"/>	<input type="checkbox"/>	<input type="checkbox"/>	<input type="checkbox"/> Sales Ord # _____	<input type="checkbox"/> Required		
	<input type="checkbox"/> _____ FAI	_____	_____	<input type="checkbox"/>	<input type="checkbox"/>	<input type="checkbox"/>	<input type="checkbox"/> Production Ord # _____	<input type="checkbox"/> Parts		
	<input type="checkbox"/> No Cost Impact	_____	_____	<input type="checkbox"/>	<input type="checkbox"/>	<input type="checkbox"/>	<input type="checkbox"/> Planned Ord # _____	<input type="checkbox"/> Required		
							Rework Kit P/N _____			



ENGINEERING CHANGE NOTICE
(Planning Sheet)

ECN No: 54959

Sheet 8 of 9

PLANNING:

<u>Prod Ord#</u>	<u>Part No.</u>	<u>Qty was/is</u>	<u>Operation/ Status</u>	<u>Hold</u>	<u>Comment</u>
2799247	200-89568-101	13		<input type="checkbox"/>	SEE SAP BOM CHANGES
				<input type="checkbox"/>	
				<input type="checkbox"/>	
				<input type="checkbox"/>	
				<input type="checkbox"/>	
				<input type="checkbox"/>	
				<input type="checkbox"/>	
				<input type="checkbox"/>	
				<input type="checkbox"/>	
				<input type="checkbox"/>	
				<input type="checkbox"/>	
				<input type="checkbox"/>	
				<input type="checkbox"/>	
				<input type="checkbox"/>	
				<input type="checkbox"/>	
				<input type="checkbox"/>	
				<input type="checkbox"/>	
				<input type="checkbox"/>	
				<input type="checkbox"/>	
				<input type="checkbox"/>	
				<input type="checkbox"/>	
				<input type="checkbox"/>	
				<input type="checkbox"/>	
				<input type="checkbox"/>	
				<input type="checkbox"/>	
				<input type="checkbox"/>	



ENGINEERING CHANGE NOTICE
(SAP BOM Sheet)

ECN No: 54959

Sheet 9 of 9

SAP BOM CHANGES:

<u>BOM Number</u>	<u>Add/Del From/To</u>	<u>Item #</u>	<u>Part Number</u>	<u>BOM Qty</u>	<u>Unit of Measure</u>	<u>Alt Part Number</u>	<u>Comment</u>
6194-101	ADD	3		2	EA	200-33899-101	USE ALTERNATE AS PRIMARY
200-89249-101	ADD	2		2	EA	200-33899-101	USE ALTERNATE AS PRIMARY
200-17863-101	ADD	3		1	EA	200-33899-101	USE ALTERNATE AS PRIMARY
200-89568-101	ADD	7		2	EA	200-33899-101	USE ALTERNATE AS PRIMARY
200-89569-101	ADD	5		2	EA	200-33899-101	USE ALTERNATE AS PRIMARY
200-91171-102	ADD	7		2	EA	200-33899-101	USE ALTERNATE AS PRIMARY
6152-101	ADD	4		1	EA	200-33899-101	USE ALTERNATE AS PRIMARY
6152-102	ADD	4		1	EA	200-33899-101	USE ALTERNATE AS PRIMARY
6283-101	ADD	3		2	EA	200-33899-101	USE ALTERNATE AS PRIMARY
6147-101	ADD	3		2	EA	200-33899-101	USE ALTERNATE AS PRIMARY
6147-102	ADD	4		2	EA	200-33899-101	USE ALTERNATE AS PRIMARY
6138-102	ADD	4		2	EA	200-33899-101	USE ALTERNATE AS PRIMARY
6045-101	ADD	3		2	EA	200-33899-101	USE ALTERNATE AS PRIMARY
6045-102	ADD	3		2	EA	200-33899-101	USE ALTERNATE AS PRIMARY
6045-103	ADD	3		2	EA	200-33899-101	USE ALTERNATE AS PRIMARY
6045-104	ADD	3		2	EA	200-33899-101	USE ALTERNATE AS PRIMARY
6045-109	ADD	3		2	EA	200-33899-101	USE ALTERNATE AS PRIMARY
6-03S1B4C0	ADD	3		2	EA	200-33899-101	USE ALTERNATE AS PRIMARY
6-05S1C4C0	ADD	3		2	EA	200-33899-101	USE ALTERNATE AS PRIMARY
200-91171-101	ADD	7		2	EA	200-33899-101	USE ALTERNATE AS PRIMARY

This print and associated documents and the contained information are the confidential property of ELECTRONIC CABLE SPECIALISTS. Disclosure of, and/or reproduction of, all or part thereof or manufacture of any part from information contained on this print not specifically permitted by ELECTRONIC CABLE SPECIALISTS in writing is forbidden.

DWG NO.		SH	REV.	1		
6045-109		1	J			
REVISIONS						
ECN	SHT	ZONE	REV.	DESCRIPTION	DATE	APPROVED
10423			H	REPLACES WITH CHANGE 6045 REV G	JTS 4/27/00	L HECKEL
39262	1	P/L	J	ADDED ITEM 13	LJH 1/7/10	<i>K-21</i>
	1	NTS		NOTE 11 WAS 9		
	1	NTS		ADDED NOTES 9 & 10		
	1	NTS		DEL NOTE 6		

NOTES: UNLESS OTHERWISE SPECIFIED

GENERAL NOTES:

- DIMENSIONS AND TOLERANCES PER ASME Y14.5M-1994
- DESIGNED TO MEET THE APPLICABLE REQUIREMENTS OF THE FOLLOWING:
 - ARINC 600: 6 MCU, LEVEL 1 COOLING
 - RTCA/DO-160C ENV. CAT. A1-BABXXXXXXXXXXXXXXXXXX

3. UNIVERSAL CONNECTOR CUT-OUT FOR ARINC 600; SIZE 1, 2 OR 3.

4. MAXIMUM EXTENSION WHEN LRU IS SECURELY FASTENED TO TRAY ASSEMBLY.

5. FINISH: (CLEAR CHEM FILM PER MIL-C-5541, CLASS 3).

ASSEMBLY NOTES:

6. -----DELETED-----

7. APPLY SEALANT (ITEM 12) AROUND SCREW HOLES & CONTACT SURFACES AT ASSEMBLY TO PROVIDE A SEAL BETWEEN TRAY (ITEM 1) & PLENUM (ITEM 3)

8. IDENTIFY WITH ECS P/N AND LOT#, PER EP210.

9. ASSEMBLE PLENUM TO TRAY ONLY AFTER INSTALLING ALL PRESS NUTS ON TRAY.

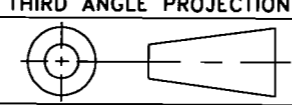
10. APPLY ADHESIVE SEALANT AROUND EDGES OF TRAY DEFORMATION PRIOR TO ASSEMBLING DEFORMATION SEAL IN TRAY.

INSTALLATION NOTES:

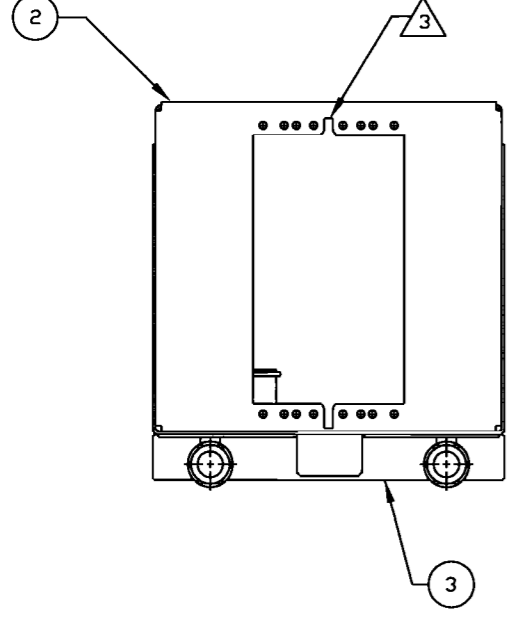
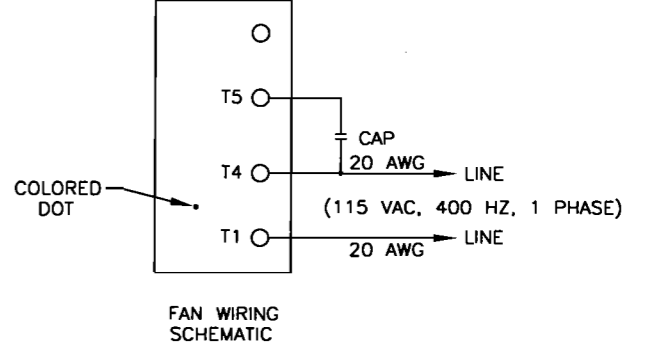
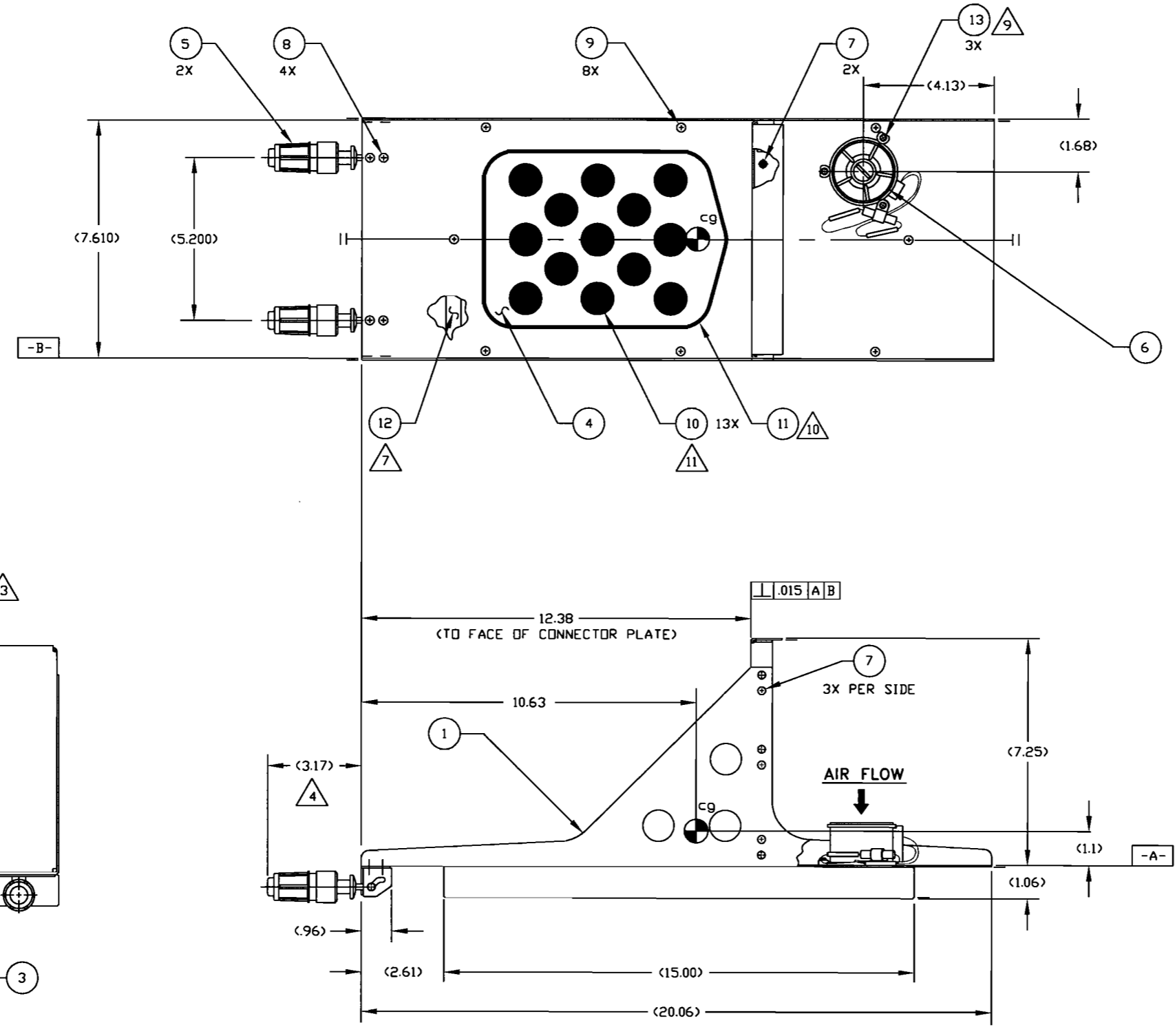
11. REMOVE ALL PLUGS (ITEM 10) (13) PLACES FROM TRAY ASSY AT TIME OF INSTALLATION.

QTY	COMPONENTS PART NO. OR IDENTIFYING NO.	NOMENCLATURE OR DESCRIPTION	MATERIAL/SPECIFICATION	CAGE CODE	ITEM NO.
3	FE-440-EF	PRESS NUT, SELF LOCKING	(#4-40, CRES)		13
A/R	DOW CORNING RTV-3145	ADHESIVE SEALANT CLEAR	(SILICONE RUBBER)	71984	12
1	10016-106	DEFORMATION SEAL ASSY, 6 MCU	(SILICONE RUBBER)		11
13	10736-01	PLUG BUMPER	(RUBBER)		10
8	MS24693-C24	SCREW, FLAT HEAD	(#6-32 X .25 LONG)		9
4	MS24693-C25	SCREW, FLAT HEAD	(#6-32 X .31 LONG)		8
8	MS24693-C26	SCREW, FLAT HEAD	(#6-32 X .38 LONG)		7
1	S0085-109	FAN ASSY, AC			6
2	10344-101	HOLD DOWN, FRONT INSERTION/EXTRACTION			5
1	10024CC-01	METERING PLATE, 6 MCU	(.040 AL ALLOY 5052 OR 6061)		4
1	S0089CC-101	PLENUM ASSY, 6 MCU	(.040 AL ALLOY 6061)		3
1	10018CC-108	CONNECTOR PLATE ASSY, 6 MCU	(.063 AL ALLOY 6061)		2
1	S0077CC-106	TRAY WELDING ASSY, 6 MCU	(.063 AL ALLOY 6061)		1
QTY REQ'D	COMPONENTS PART NO. OR IDENTIFYING NO.	NOMENCLATURE OR DESCRIPTION	MATERIAL/SPECIFICATION	CAGE CODE	ITEM NO.

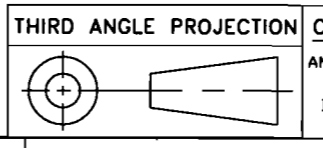
5

THIRD ANGLE PROJECTION 		WEIGHTS STRESS PRODUCTION QUALITY ASSURANCE ADDITIONAL APPROVALS		UNLESS OTHERWISE SPECIFIED DIMENSIONS ARE IN INCHES FRACTIONS DECIMALS ANGULAR & .001 & .010 & °		CONTRACT NO. J SWITALSKI 9/3/92 CHECKED C ASSEF 10/7/92 DESIGNED C ASSEF 10/7/92		ELECTRONIC CABLE SPECIALISTS FRANKLIN, WI 53152 PHONE: (414) 421-5300	
CAD GENERATED DOCUMENT ANY CHANGES TO THIS DOCUMENT MUST BE SUBMITTED TO THE DESIGN/DRAFTING DEPARTMENT FOR PROPER UPDATE		FINAL APPLICATION		SIMILAR TO ACT. WT 3.1 LBS		MANUFACTURING DATE F WHITSON 10/7/92		TRAY ASSY, REAR FAN, 6 MCU S/L SIZE D CAGE CODE 66197C/A LEVEL C/A DWG NO. 6045-109 SCALE NONE EFFECTIVITY: SHEET 1 of 2	

This print and associated documents and the contained information are the confidential property of ELECTRONIC CABLE SPECIALISTS. Disclosure of, and/or reproduction of, all or part thereof or manufacture of any part from information contained on this print not specifically permitted by ELECTRONIC CABLE SPECIALISTS in writing is forbidden.



NOTES: SEE SHEET 1



CAD GENERATED DOCUMENT
 ANY CHANGES TO THIS DOCUMENT
 MUST BE SUBMITTED TO THE
 DESIGN/DRAFTING DEPARTMENT
 FOR PROPER UPDATE

ELECTRONIC CABLE SPECIALISTS		FRANKLIN, WI 53132		PHONE: (414) 421-5300	
SIZE	D	CAGE CODE	66197	LEVEL	C/A
SCALE	1/2	DWG NO.	6045-109	SHEET	2 OF 2