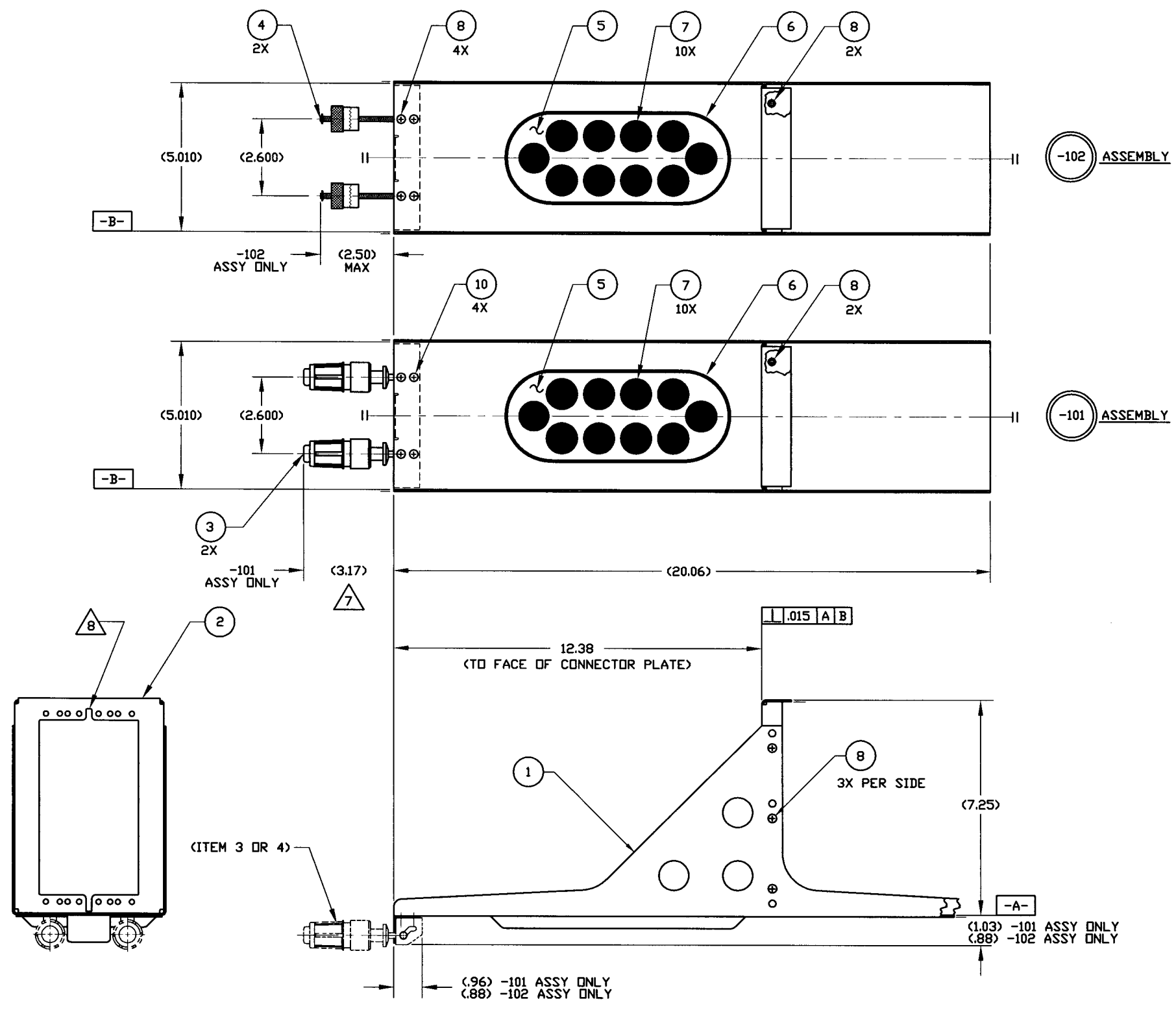
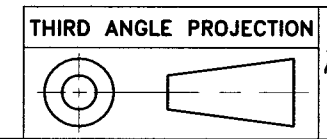


This print and associated documents and the contained information are the confidential property of ELECTRONIC CABLE SPECIALISTS. Disclosure of, and/or reproduction of, all or part thereof or manufacture of any part from information contained on this print not specifically permitted by ELECTRONIC CABLE SPECIALISTS in writing is forbidden.

DWG NO.	6026	SH	2	REV.	M	1
REVISIONS						
ZONE	REV.	DESCRIPTION	DATE	APPROVED		
M		SEE SHEET 1				



NOTES: SEE SHEET 1



CAD GENERATED DOCUMENT
 ANY CHANGES TO THIS DOCUMENT
 MUST BE SUBMITTED TO THE
 DESIGN/DRAFTING DEPARTMENT
 FOR PROPER UPDATE

ELECTRONIC CABLE SPECIALISTS FRANKLIN, WI 53132 PHONE: (414) 421-5300	
SIZE	D 66197 C/A
LEVEL	6026
SCALE	1/2
SHEET	2 OF 8