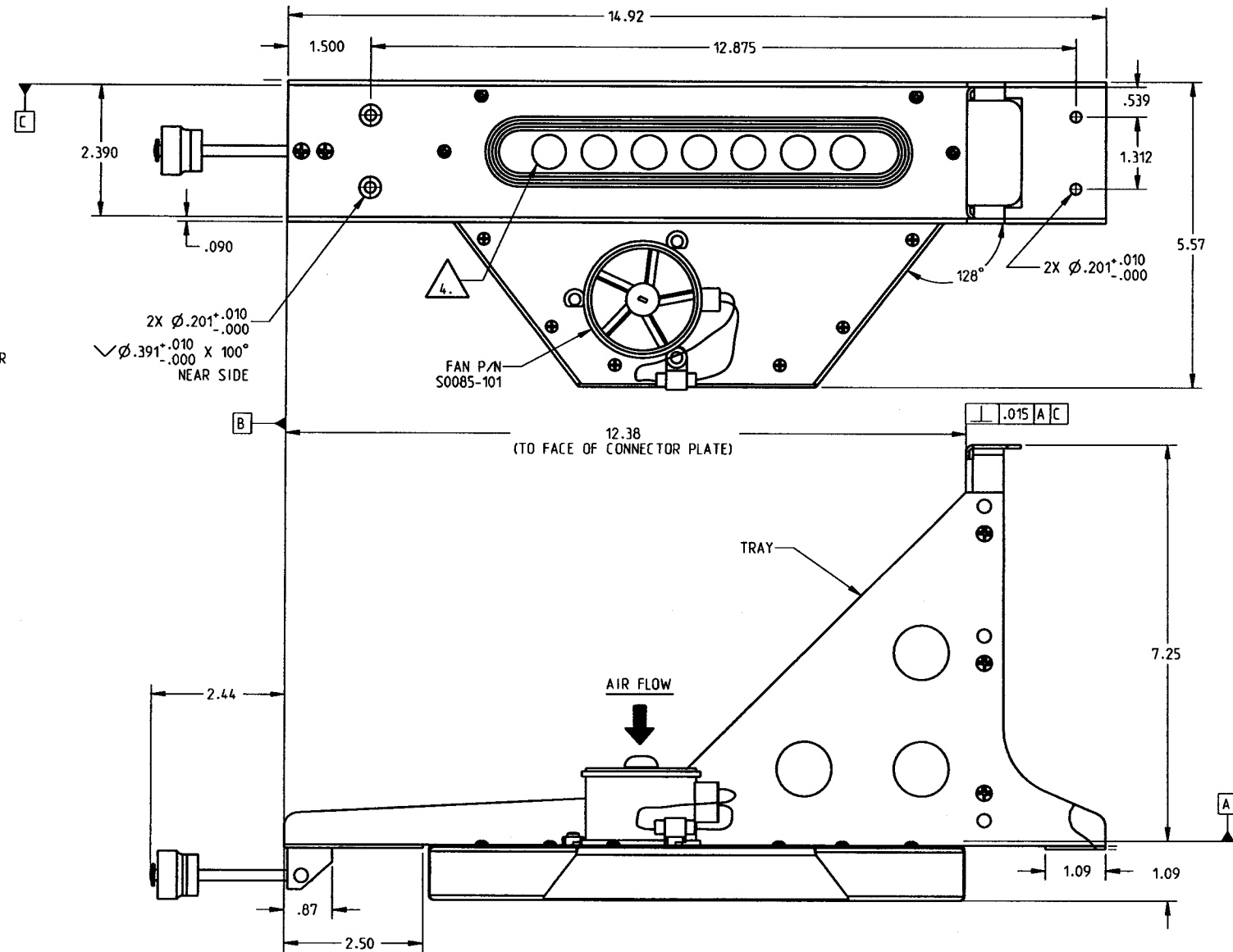
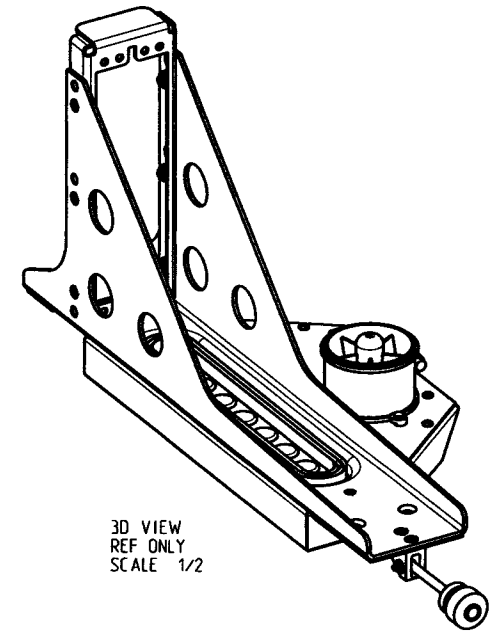
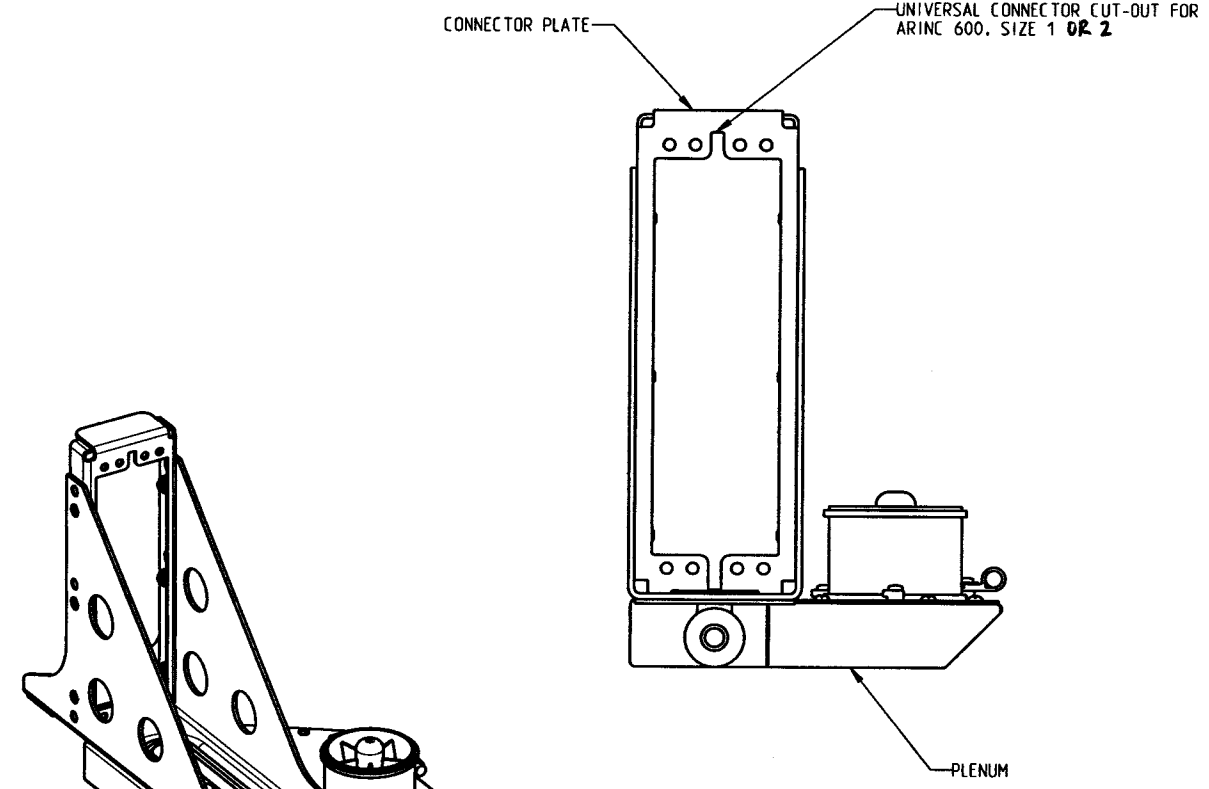
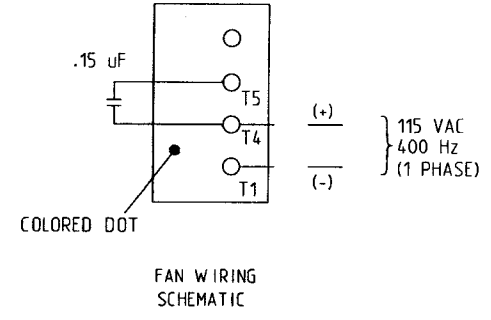


This print and associated documents and the contained information are the confidential property of ELECTRONIC CABLE SPECIALISTS. Disclosure of, and/or reproduction of, all or part thereof or manufacture of any part from information contained on this print not specifically permitted by ELECTRONIC CABLE SPECIALISTS in writing is forbidden.

REVISION HISTORY						
ECN	SHT	ZONE	REV	DESCRIPTION	DATE	APPROVED
			X	RELEASED FOR CUSTOMER APPROVAL	4/15/05	EAA
22725		C1 C3 C2	N/C	RELEASED ADDED DIM 5.57 ADDED DIM 4.34 ADDED ANGLE DIM 128°	4/19/05	C BELL
22737	1 1 1 1	C3 A4 A3 C4	A	ADDED SHT 2 DELETED DIM 4.34 MOVED DIM 2.61 TO SHT 2 MOVED DIM 9.75 TO SHT 2 ADDED DIM .090	4/20/05	J SHAW
22963		B	B	CHG'D CONNECTOR PLATE TO -103	5/23/05	C Bell

NOTES: UNLESS OTHERWISE SPECIFIED
GENERAL NOTES:

- DIMENSIONS AND TOLERANCES PER ASME Y14.5M-1994.
- DESIGNED TO MEET THE APPLICABLE REQUIREMENTS OF THE FOLLOWING:
A. ARINC 600-13: 2 MCU
B. RTCA/DO-160D ENVIRONMENTAL TEST CONDITIONS:
1. TEMPERATURE: CAT A2
2. ALTITUDE: CAT A2
3. TEMPERATURE VARIATION: CAT B
4. HUMIDITY: CAT A
5. OPERATIONAL SHOCK: CAT B
6. CRASH SAFETY: SUSTAINED, TABLE 7-1, ALL FIXED WING TRANSPORT A/C, FIXED ORIENTATION
7. VIBRATION: CAT S, CURVE B2
- TRAY PLENUM AND CONNECTOR PLATE FINISH CLEAR CHEM FILM PER MIL-C-5541, CLASS 3.
- REMOVE METERING PLUGS PRIOR TO INSTALLING THE LRU ON THE AIRCRAFT.
- FOR PRESSURIZED APPLICATION ONLY, NOT RECOMMENDED FOR INSTALLATION IN UNPRESSURIZED AREAS.
- ELECTRICAL SPECIFICATION (FAN):
115 VAC FAN
0.11 AMPS (NOM.)



ECS PART NO.: 200-98025-101
PRODUCT SPECIFICATION DRAWING

THIRD ANGLE PROJECTION		WEIGHTS		UNLESS OTHERWISE SPECIFIED DIMENSIONS ARE IN INCHES		CONTRACT NO.		ELECTRONIC CABLE SPECIALISTS	
- - - - -		- - - - -		FRACTIONS DECIMALS ANGULAR		DRAWN J SHAW		FRANKLIN, WI 53132	
- - - - -		- - - - -		± .XX ± 0.03 .XX ± 0.5		DATE 15-Apr-05		PHONE: (414) 421-5300	
- - - - -		- - - - -		TOLERANCES ARE: FRACTIONS DECIMALS ANGULAR		CHECKED C BELL		TITLE	
- - - - -		- - - - -		DO NOT SCALE DRAWING		DATE 4/15/05		TRAY ASSEMBLY,	
- - - - -		- - - - -		TREATMENT		DESIGNED C BELL		2 MCU S/S, RIGHT SIDE PLENUM	
- - - - -		- - - - -		FINISH		DATE 4/19/05		SIZE	
- - - - -		- - - - -		- - - - -		PROJECT C BELL		CASE CODE	
- - - - -		- - - - -		- - - - -		DATE 4/15/05		LEVEL	
- - - - -		- - - - -		- - - - -		MANUFACTURING		DWG NO.	
- - - - -		- - - - -		- - - - -		DATE 4/15/05		D 66197 C	
- - - - -		- - - - -		- - - - -		ENGINEERING		ECS-203955	
- - - - -		- - - - -		- - - - -		J DELANY		SCALE	
- - - - -		- - - - -		- - - - -		DATE 4/19/05		3/4	
- - - - -		- - - - -		- - - - -		EFFECTIVITY		SHEET	
- - - - -		- - - - -		- - - - -		- - - - -		1 OF 2	

NAME: LGRIVAS OBJECT: ECS-203955.1 DATE: 23-May-05 09:23:24

8

7

6

5

4

3

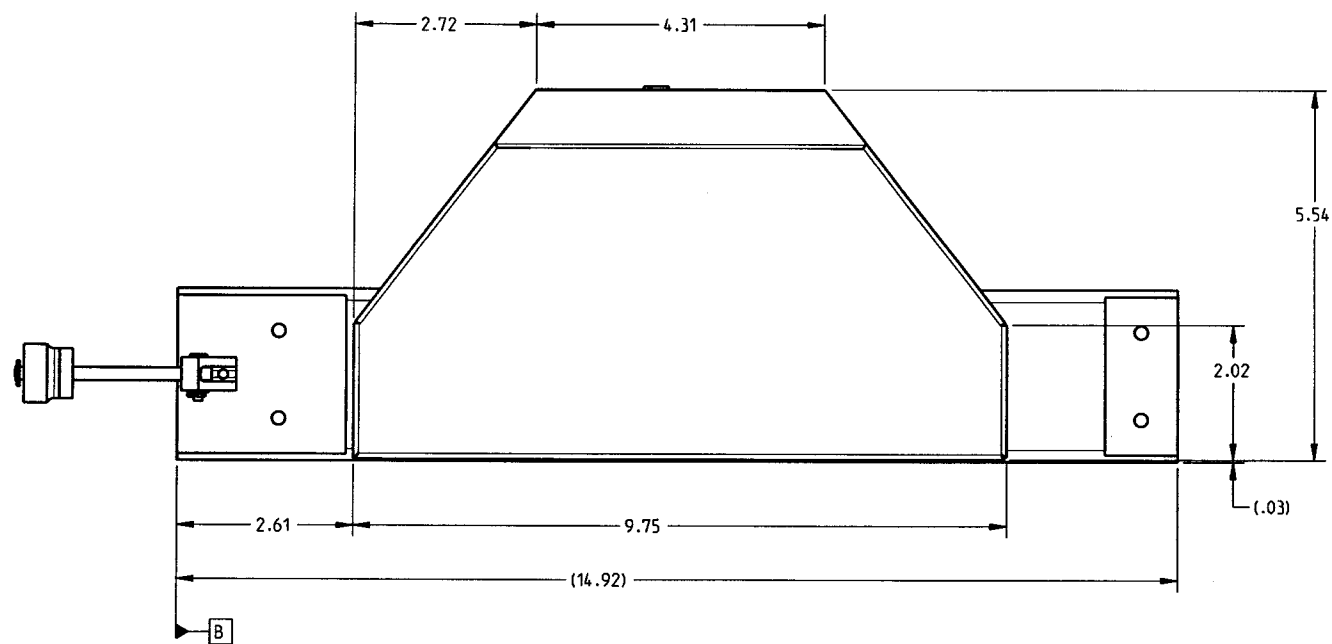
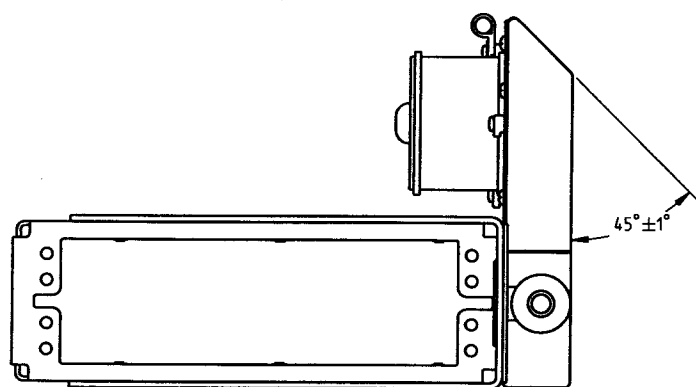
1

DWG NO. ECS-203955 SH 2 REV B

REVISION HISTORY				
ZONE	REV.	DESCRIPTION	DATE	APPROVED
	B	SEE SHEET 1		

This print and associated documents and the contained information are the confidential property of ELECTRONIC CABLE SPECIALISTS. Disclosure of, and/or reproduction of, all or part thereof or manufacture of any part from information contained on this print not specifically permitted by ELECTRONIC CABLE SPECIALISTS in writing is forbidden.

NOTES: SEE SHEET 1



NAME: LGRIVAS OBJECT: ECS-203955.2 DATE: 21-May-05 10:05:02

D
C
B
A

D
C
B
A

8

7

6

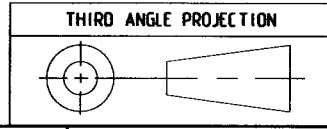
5

4

3

2

1



CAD GENERATED DOCUMENT
ANY CHANGES TO THIS DOCUMENT
MUST BE SUBMITTED TO THE
DESIGN/DRAFTING DEPARTMENT
FOR PROPER UPDATE

ELECTRONIC CABLE SPECIALISTS
FRANKLIN, WI 53132
PHONE: (414) 421-5300

SCALE: 3/4 EFFECTIVITY: - SHEET 2 OF 2

SIZE: D CASE CODE: 66197 LEVEL: C DWG NO.: ECS-203955