

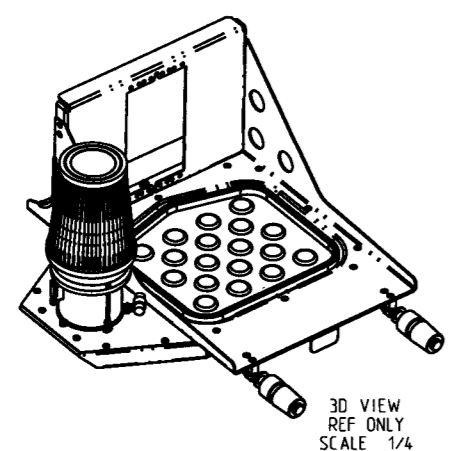
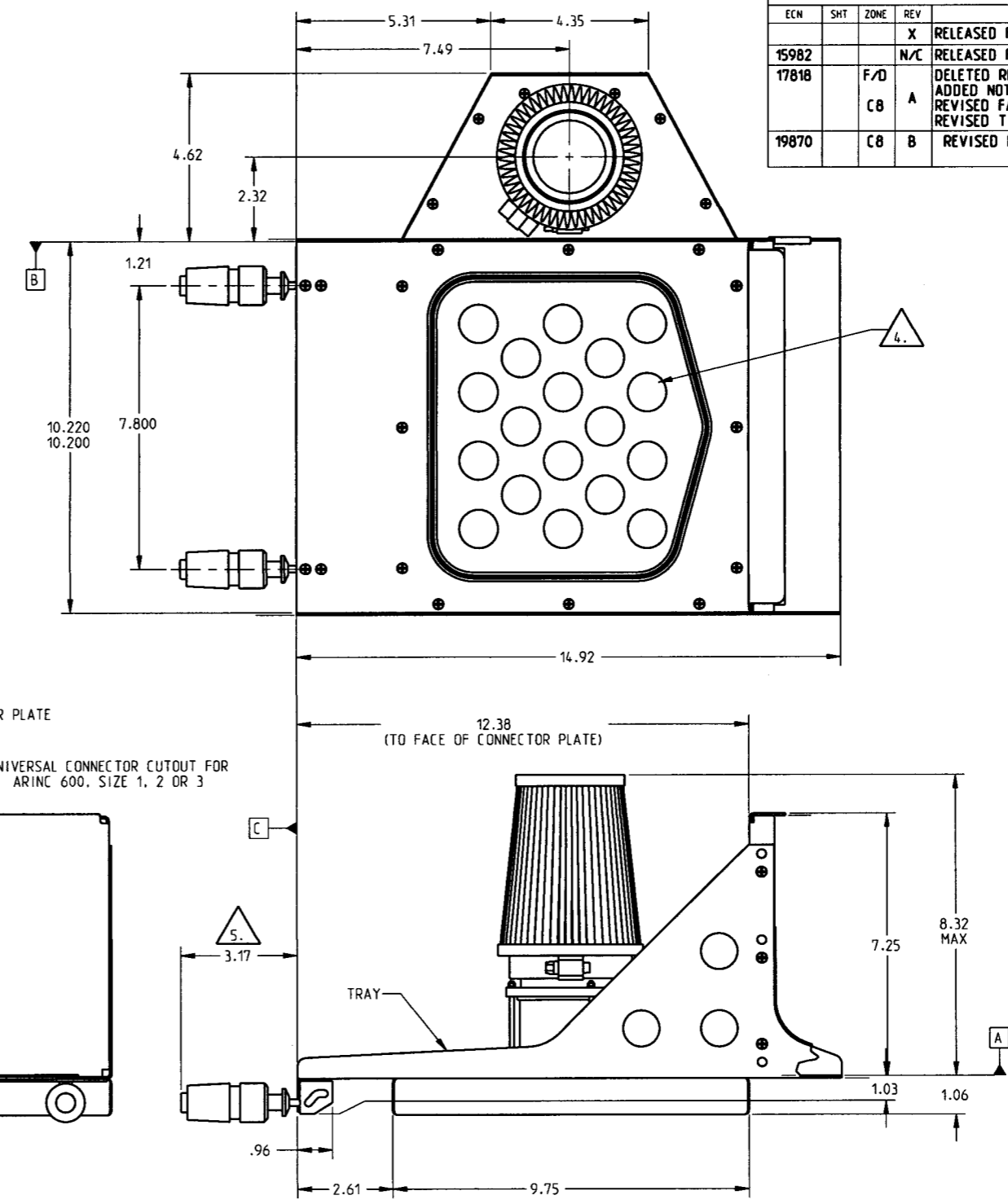
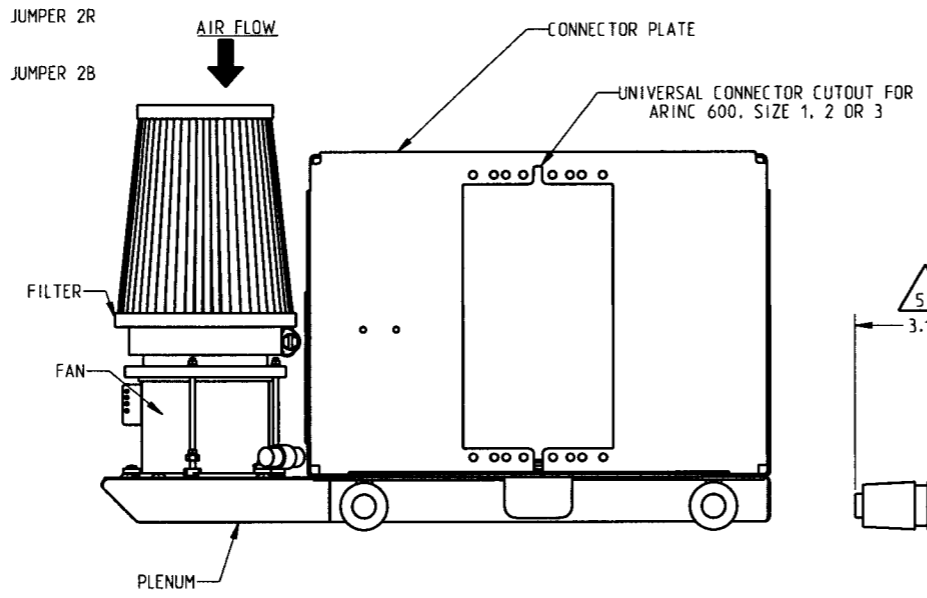
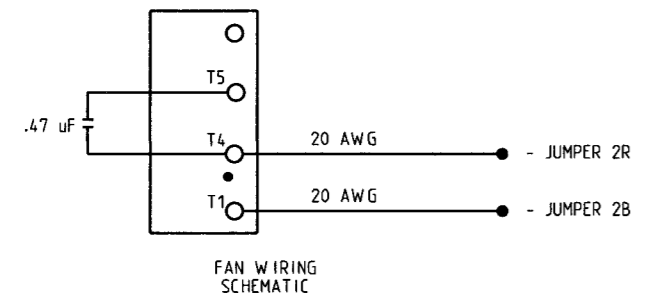
This print and associated documents and the contained information are the confidential property of ELECTRONIC CABLE SPECIALISTS. Disclosure of, and/or reproduction of, all or part thereof or manufacture of any part from information contained on this print not specifically permitted by ELECTRONIC CABLE SPECIALISTS in writing is forbidden.

REVISION HISTORY						
ECN	SHT	ZONE	REV	DESCRIPTION	DATE	APPROVED
			X	RELEASED FOR CUSTOMER APPROVAL	6/17/02	B MATHUR
15982			N/C	RELEASED FOR FIRST ARTICLE	6/25/02	B MATHUR
17818		F/D	A	DELETED RELAY, RELAY BRACKET. ADDED NOTES 6 AND 7	6/26/03	P. JOBE
		C8		REVISED FAN WIRING SCHEMATIC		
19870		C8	B	REVISED FAN WIRING SCHEMATIC	MLS 5/14/04	EAA

NOTES: UNLESS OTHERWISE SPECIFIED

GENERAL NOTES:

- DIMENSIONS AND TOLERANCES PER ASME Y14.5M-1994.
- DESIGNED TO MEET THE APPLICABLE REQUIREMENTS OF THE FOLLOWING:
 - ARINC 600-12: 8 MCU, LEVEL 1 COOLING
EXCEPTIONS AND LIMITATIONS TO ARINC 600-12:
 - MAXIMUM STEADY-STATE HEAT DISSIPATION (MSHD): 250-360W
 - ENVIRONMENTAL CONDITIONS RTCA/D0-160C ENV. CAT. D2-BABXXXXXXXXXXXXXXXXXX
EXCEPTIONS AND LIMITATIONS TO RTCA/D0-160C:
 - MAX OPERATING ALTITUDE: 51,000 ft.
 - MAX COOLANT AIR BULK INLET TEMP 51,000 FT: 15° C
 - NOT RECOMMENDED FOR INSTALLATION IN PRESSURIZED AREAS.
- TRAY, CONNECTOR PLATE & PLENUM FINISH: CLEAR CHEM FILM PER MIL-C-5541, CLASS 3.
- REMOVE METERING PLUGS PRIOR TO INSTALLING THE LRU ON THE AIRCRAFT.
- MAX EXTENSION WHEN LRU IS SECURELY FASTENED TO TRAY ASSEMBLY.
- ELECTRICAL SPECIFICATIONS:
115V AC, 400 HZ, 1 PHASE, 38 WATTS FULL LOAD (NOMINAL)
- RING TERMINAL P/N: PN22-2-RC (OR EQUIVALENT) SUPPLIED FOR AC CONNECTIONS.



ECS PART NO: 200-90202-101

PRODUCT SPECIFICATION DRAWING

THIRD ANGLE PROJECTION		WEIGHTS		UNLESS OTHERWISE SPECIFIED DIMENSIONS ARE IN INCHES TOLERANCES ARE:		CONTRACT NO.		ECS ELECTRONIC CABLE SPECIALISTS FRANKLIN, WI 53132 PHONE: (414) 421-5300	
- - - - -		- - - - -		FRACTIONS DECIMALS ANGULAR		DRAWN G STEFFEN DATE 6/16/02		TITLE TRAY ASSY. W/LEFT SIDE FAN, & FILTER, 8 MCU	
- - - - -		- - - - -		± .XX ± 0.03 ±.5 0.5		CHECKED B. Mathur DATE 5/14/04		SIZE CASE CODE LEVEL DWG NO.	
- - - - -		- - - - -		DO NOT SCALE DRAWING		DESIGNED G STEFFEN DATE 6/16/02		D 66197 C ECS-201407	
- - - - -		- - - - -		FINISH		PROJECT B. Mathur DATE 5/14/04		SCALE 1/2 EFFECTIVITY SHEET 1 of 1	
- - - - -		- - - - -		SIMILAR TO NET WT CALC WT		MANUFACTURING			
- - - - -		- - - - -		APPLICATION		ENGINEERING B. Mathur DATE 5/14/04			
- - - - -		- - - - -		ADDITIONAL APPROVALS DATE					