

8

7

6

5

4

3

DWG NO. 200-84977-101 SH 1 REV N/C

1

This print and associated documents and the contained information are the confidential property of ELECTRONIC CABLE SPECIALISTS. Disclosure of, and/or reproduction of, all or part thereof or manufacture of any part from information contained on this print not specifically permitted by ELECTRONIC CABLE SPECIALISTS in writing is forbidden.

REVISION HISTORY						
ECN	SHT	ZONE	REV	DESCRIPTION	DATE	APPROVED
			X	DEVELOPMENT	4/17/00	B. MATHUR
11700			1	RELEASED FOR PROTOTYPE	DRA 5/25/00	LJH for BJM
11993	1	A3	N/C	ADDED WEIGHT 2.4 lbs	LJH	
	2	B3		RELEASED FOR PRODUCTION	5/18/01	MPB/EK
				CHNG'D DIM WAS 1.87		

NOTES: UNLESS OTHERWISE SPECIFIED
GENERAL NOTES:

- DIMENSIONS AND TOLERANCES PER ASME Y14.5M-1994.
- DESIGNED TO MEET THE APPLICABLE REQUIREMENTS OF THE FOLLOWING:
 - ARINC 600-9: 4 MCU
EXCEPTIONS AND LIMITATIONS TO ARINC 600-9.
1. MAX POWER DISSIPATION - 150W
 - RTCA/DO-160C ENV. CAT A1-BABXXXXXXXXXXXXXX

- 3 FINISH: (CLEAR CHEM FILM PER MIL-5541, CLASS 3).
- 4 MAXIMUM EXTENSION WHEN LRU IS SECURELY FASTENED TO TRAY.
- 5 UNIVERSAL CONNECTOR CUT-OUT FOR ARINC 600 SIZE 1, 2, OR 3.

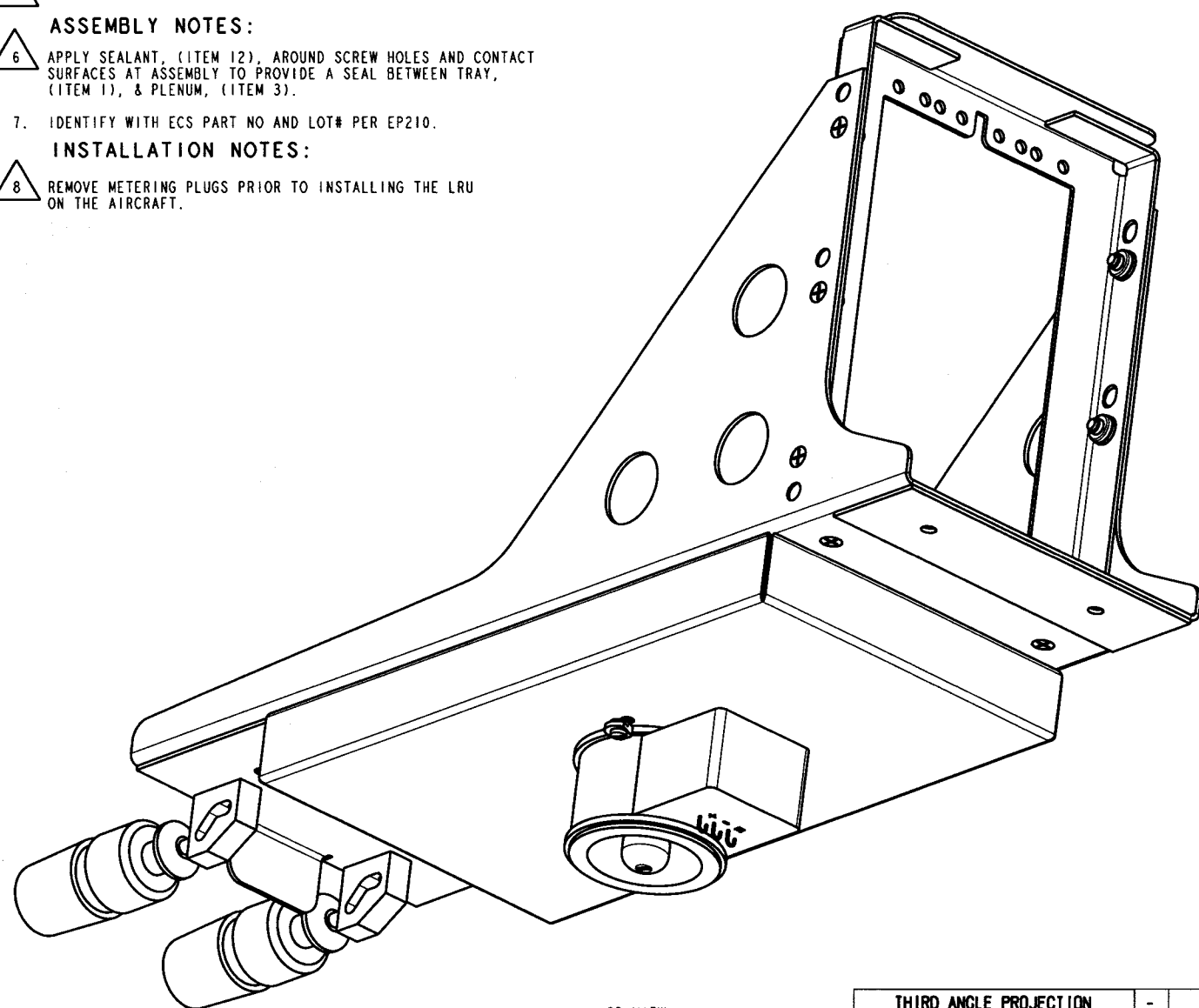
ASSEMBLY NOTES:

- 6 APPLY SEALANT, (ITEM 12), AROUND SCREW HOLES AND CONTACT SURFACES AT ASSEMBLY TO PROVIDE A SEAL BETWEEN TRAY, (ITEM 1), & PLENUM, (ITEM 3).

- IDENTIFY WITH ECS PART NO AND LOT# PER EP210.

INSTALLATION NOTES:

- 8 REMOVE METERING PLUGS PRIOR TO INSTALLING THE LRU ON THE AIRCRAFT.



3D VIEW FOR REFERENCE ONLY

AR	RTV-3145	ADHESIVE SEALANT, CLEAR	SILICONE RUBBER	RTV-732-CLR	-	12
1	10016-104	DEFORMATION SEAL, 4 MCU	SILICONE RUBBER	-	-	11
10	10736-01	PLUG BUMPER	RUBBER	-	-	10
8	MS24693-C24	SCREW, FLAT HEAD	#6-32 X .25 LONG, CRES	-	-	9
8	MS24693-C26	SCREW, FLAT HEAD	#6-32 X .38 LONG, CRES	-	-	8
4	MS24693-C25	SCREW, FLAT HEAD	#6-32 X .31 LONG, CRES	-	-	7
1	S0085-104	FAN ASSEMBLY, DC	-	-	-	6
2	10344-101	HOLD DOWN, FRONT INSERTION/EXTRACTION	-	-	-	5
1	10025CC-01	METERING PLATE, 4 MCU	.040 ALUM ALLOY 6061 OR 5052	-	-	4
1	S0109CC-104	PLENUM ASSY, 4 MCU	-	-	-	3
1	10018CC-106	CONNECTOR PLATE ASSY, 4 MCU	-	-	-	2
1	200-85161CC-101	TRAY WELDING ASSEMBLY, 4 MCU S/S	-	-	-	1
	200-84977-101	TRAY ASSEMBLY, BOTTOM FAN, 4 MCU S/S	-	-	-	-
QTY. RECD.	COMPONENT PART NO. OR IDENTIFYING NO.	NOMENCLATURE OR DESCRIPTION	MATERIAL/SPECIFICATION	ALTERNATE PART NO.	CAGE CODE	ITEM NO.



PARTS LIST

THIRD ANGLE PROJECTION		WEIGHTS		UNLESS OTHERWISE SPECIFIED TOLERANCES ARE IN INCHES		CONTRACT NO.		ELECTRONIC CABLE SPECIALISTS	
		-		FRACTIONS DECIMALS ANGULAR		-		FRANKLIN, WI 53132	
		-		.XX ± 0.03 .X ± 0.5		DRAWN		PHONE: (414) 421-5300	
		-		.XX ± 0.010		DATE		TITLE	
		-		DO NOT SCALE DRAWING		L. HECKEL 4/14/00		TRAY ASSEMBLY,	
CAD GENERATED DOCUMENT ANY CHANGES TO THIS DOCUMENT MUST BE SUBMITTED TO THE DESIGN/DRAFTING DEPARTMENT FOR PROPER UPDATE		FINAL		PRODUCTION		LH for BJM 5/25/00		BOTTOM FAN. 4 MCU S/S	
QTY REQ'D		FINAL/REPT DRAWING		PROJECT NO.		DESIGNED		DATE	
				000465		L. HECKEL 5/25/00		PROJECT	
						TA for BJM 5/25/00		DATE	
						M SWIETLIK 5/25/00		MANUFACTURING	
						TA for BJM 5/25/00		ENGINEERING	
								DATE	
								SCALE	
								EFFECTIVITY	
								SHEET	
								1 OF 2	

8

7

6

5

4

3

2

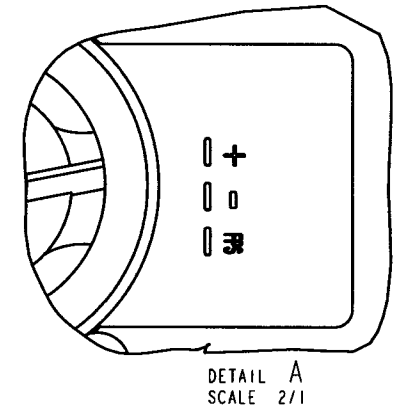
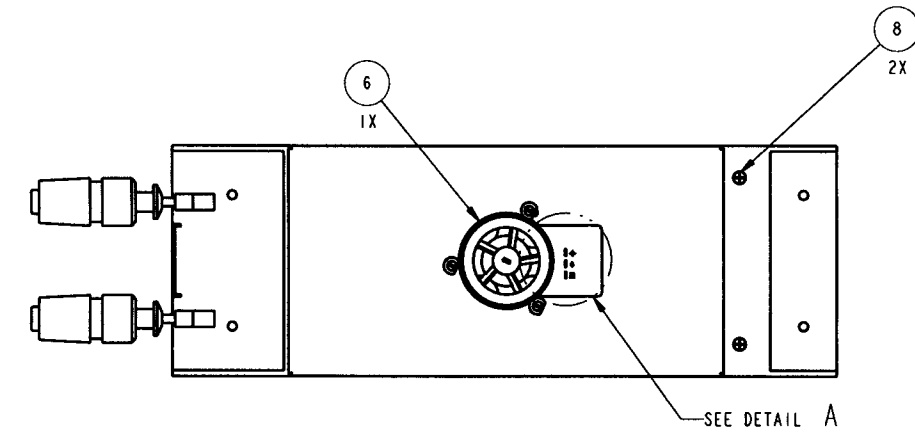
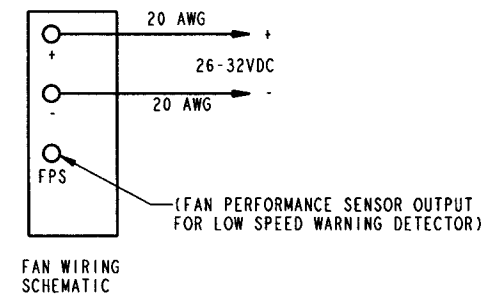
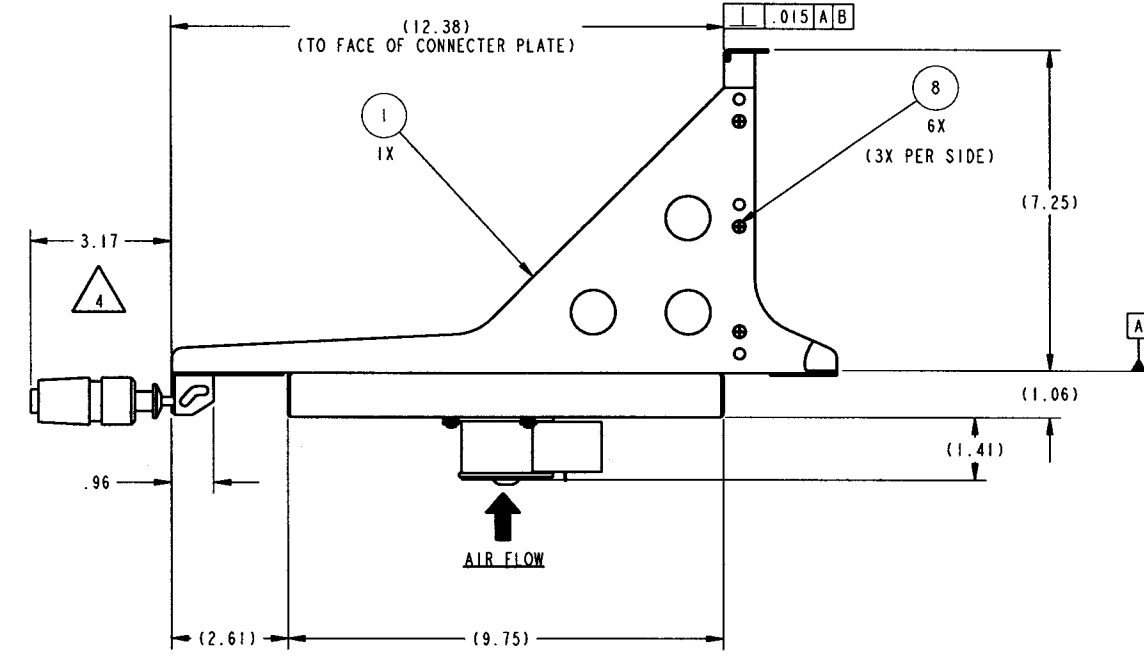
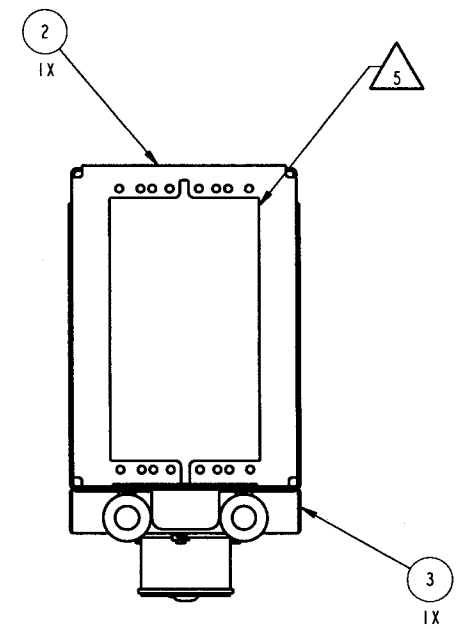
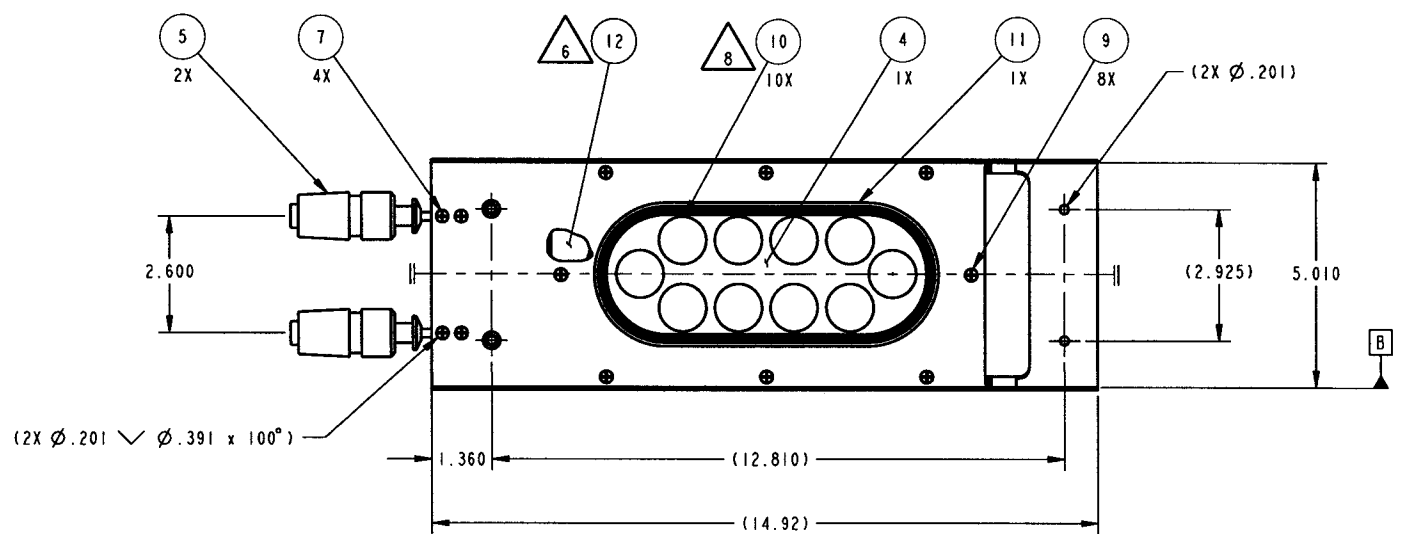
1

NAME: MJBORHAN OBJECT: 200-84977-101.1 DATE: 08-Jan-01 09:54:10

This print and associated documents and the contained information are the confidential property of ELECTRONIC CABLE SPECIALISTS. Disclosure of, and/or reproduction of, all or part thereof or manufacture of any part from information contained on this print not specifically permitted by ELECTRONIC CABLE SPECIALISTS in writing is forbidden.

DWG NO. 200-84977-101		SH 2	REV N/C	1
REVISION HISTORY				
ZONE	REV.	DESCRIPTION	DATE	APPROVED
	N/C	SEE SHEET 1		

NOTES: SEE SHEET 1



THIRD ANGLE PROJECTION		CAD GENERATED DOCUMENT ANY CHANGES TO THIS DOCUMENT MUST BE SUBMITTED TO THE DESIGN/DRAFTING DEPARTMENT FOR PROPER UPDATE	ELECTRONIC CABLE SPECIALISTS FRANKLIN, WI 53132 PHONE: (414) 421-5300	
			SIZE D	CAGE CODE 66197
		SCALE 1/2	EFFECTIVITY: -	DWG NO. 200-84977-101 SHEET 2 OF 2

NAME: M. BOHMAN OBJECT: 200-84977-101.2 DATE: 08-Jan-01 09:47:59