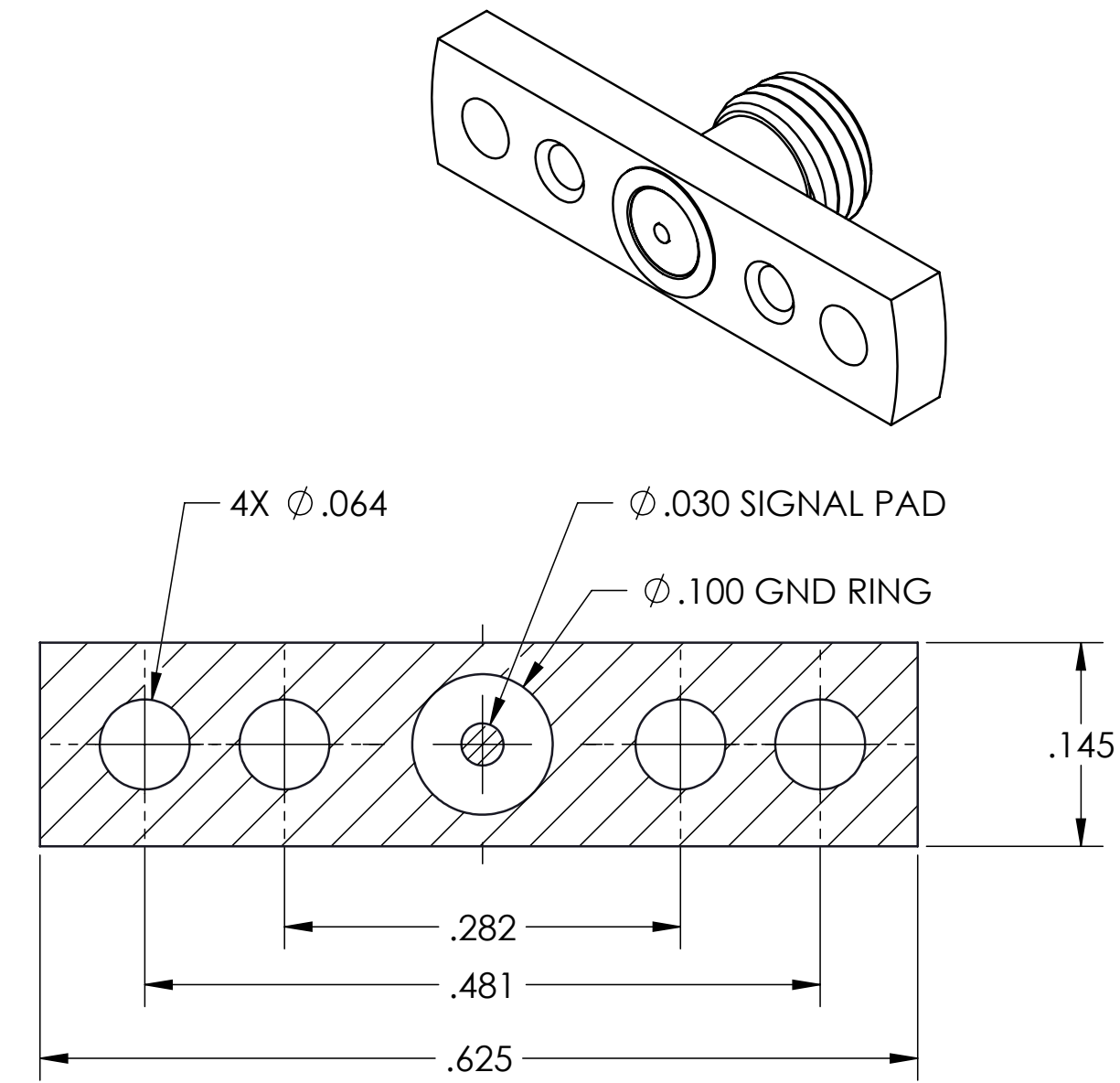
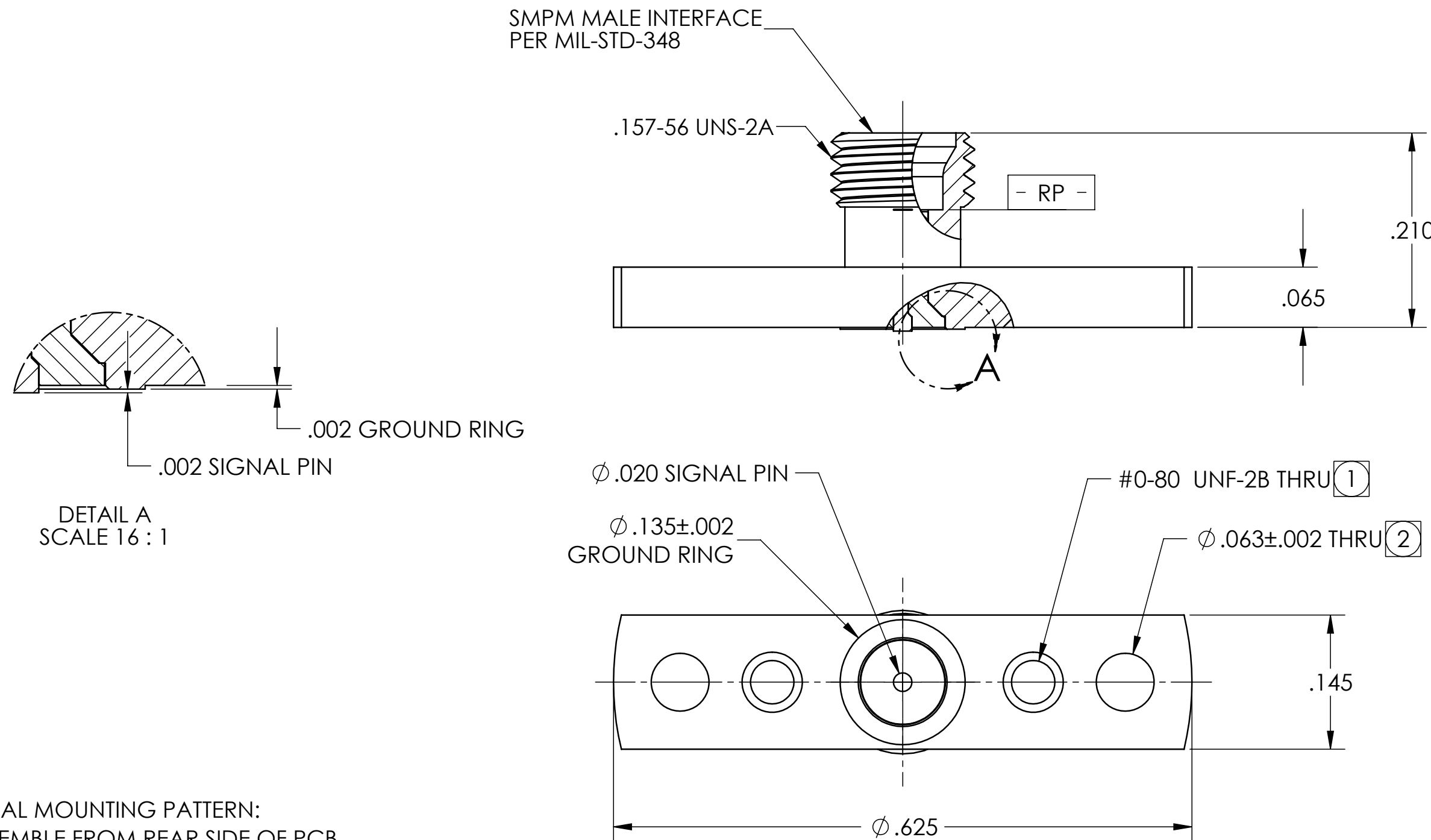


REVISIONS			
REV.	DESCRIPTION	DATE	BY
-	ECO 31273 (INITIAL RELEASE)	04/19/16	PV
A	ECO 31486 (DESIGN CHG)	10/28/2016	YP



RECOMMENDED PCB LAYOUT

NOTES:
 OPTIONAL MOUNTING PATTERN:
 ① ASSEMBLE FROM REAR SIDE OF PCB.
 ② ASSEMBLE FROM FRONT SIDE OF PCB.

MATERIAL(S):	ELECTRICAL(S):	MECHANICAL(S):	ENVIRONMENTAL(S):
Body 303 SST per ASTM A-582 Center Conductor BeCu Alloy per ASTM B-196 Insulator Peek 1000	Impedance: 50 Ohms Nominal Frequency Range: DC to 40 GHz VSWR: 1.15:1 to 26.5 GHz 1.25:1 to 40 GHz Insertion Loss: .12 x SQRT(f (GHz)) Working Voltage: 325 Vrms max @ Sea Level Dielectric Withstand Voltage: 500 Vrms min RF HiPot Voltage: 325 Vrms min. @ 5MHz Corona Level: 190 Vrms @ 70,000 ft Insulation Resistance: 5000 MegOhms min RF Leakage: -(65 - f(GHz)) dB Contact Resistance: Center: 6.0 MilliOhms max Outer: 2.0 MilliOhms max	Interface Dimensions: Interface per MIL-STD-348 Connector Durability: Detent: 100 cycles Non-detent: 500 cycles Force to Engage: Detent: 6.5 lbs max Non-Detent: 2.5 lbs max Force to Disengage: Detent: 4 lbs min Non-Detent: 1.5 lbs min Center Contact Retention: N/A	Temperature Range: -55°C to +165°C Thermal Shock: MIL-STD-202, Method 107, Test Condition B Moisture Resistance: MIL-STD-202, Method 106, Insulation resistance at least 200 MegaOhms within 5 minutes after removal from humidity. Corrosion: MIL-STD-202, Method 101, Test Condition B Vibration: MIL-STD-202, Method 204, Test Condition D Shock: MIL-STD-202, Method 213, Test Condition I

FINISH(ES):	APPLICABLE CARLISLE IT DOCUMENTS	TOLERANCES AND NOTES	MATERIAL	SPECIFICATION	PROCUREMENT																				
Body Passivate per ASTM A-967 Center Conductor: Gold plate per ASTM B-488 over Nickel plate per SAE AMS-QQ-N-290	<table border="1"> <tr> <th>WORK STANDARD</th> <th>PROD INSTRUC</th> <th>ASSY INSTRUC</th> </tr> <tr> <td>NA</td> <td>NA</td> <td>NA</td> </tr> </table>	WORK STANDARD	PROD INSTRUC	ASSY INSTRUC	NA	NA	NA	EXCEPT AS NOTED DIMENSIONS ARE IN INCHES. LINEAR .XX ±.015 ANGULAR ± 1/2° FRACTION ± 1/32 1. MACHINE FINISH: $\sqrt{3}$ RMS 2. BREAK ALL SHARP EDGES .003 MAX. 3. MACHINED FILLETS .005 MAX. 4. MACHINED SURFACES SQUARE TO RESPECTIVE AXIS WITHIN .005 INCHES PER INCH. 5. MACHINED DIAMETERS CONCENTRIC WITHIN .002 T.I.R. 6. DIMENSIONS TO BE MET BEFORE PLATING. 7. CHAMFER ALL THREADS 45°. 8. THREADS PER H-28 9. REMOVE FRAVED EDGES ON TEFLON. 10. REMOVE ALL BURRS.	<table border="1"> <tr> <th>APPROVAL INITIALS</th> <th>DATE</th> </tr> <tr> <td>PV</td> <td>01.19.16</td> </tr> <tr> <td>-</td> <td>-</td> </tr> <tr> <td>-</td> <td>-</td> </tr> <tr> <td>P.V.</td> <td>09.09.16</td> </tr> <tr> <td>KM</td> <td>11.02.16</td> </tr> <tr> <td>PV</td> <td>11.02.16</td> </tr> </table>	APPROVAL INITIALS	DATE	PV	01.19.16	-	-	-	-	P.V.	09.09.16	KM	11.02.16	PV	11.02.16	CARLISLE Interconnect Technologies Cerritos, CA 90703 TITLE SSMP®, MALE, SMOOTH BORE, FIELD REPLACEABLE, FLANGE MOUNT SCALE 8:1 SUB-DIRECTORY/_OUTLINE/ SHEET 1 OF 1	DRAWING NO. OL_3S39981610 REV. A
WORK STANDARD	PROD INSTRUC	ASSY INSTRUC																							
NA	NA	NA																							
APPROVAL INITIALS	DATE																								
PV	01.19.16																								
-	-																								
-	-																								
P.V.	09.09.16																								
KM	11.02.16																								
PV	11.02.16																								

SSMP® is a registered trademark of Carlisle IT.