



Ruggedized Simplex

INTRODUCTION

Carlisle Interconnect Technologies introduces the LITEflight® EP (Enhanced Performance) family of aerospace-grade fiber optic cables. The new LITEflight® EP series provides all of the performance benefits necessary to function in the harsh environments of your aerospace and military applications, but with lower loss, tighter bend radius, improved thermal stability and better handling during termination and installation. Unlike tight structured cables, the LITEflight® EP semi-loose structured cables are compatible with all commercially available fiber optic termini and connectors. LITEflight® EP is available in multiple sizes, configurations and temperature ratings up to 260°C in order to meet the most demanding application requirements.

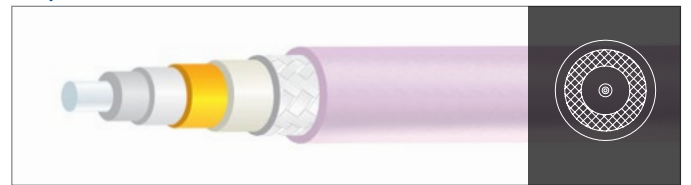
LITEflight® EP Characteristics	NFO(EP)-125-1	NFO(EP)-125-3M4
	Typical Value	Typical Value
Outside Diameter	1.8 mm	1.8 mm
Cable Weight	4.6 kg/km	4.6 kg/km
Minimum Bend Radius		
Short Term (Installation)	6.0 mm	6.0 mm
Long Term (Operation / Storage)	9.0 mm	9.0 mm
Attenuation		
850 nm	2.8 dB/km	2.9 dB/km
1300 nm	0.6 dB/km	0.8 dB/km
Temperature Cycling	0.10 dBΔ/30 m	0.10 dBΔ/10 m
Thermal Shock	0.10 dBΔ/30 m	0.10 dBΔ/10 m
Buffer Push-In Force	2.0 N/.45 mm	2.0 N/.45 mm
Cable Kink Resistance		
6.3 mm Loop Diameter	0.18 dBΔ	0.19 dBΔ

All testing performed in accordance with EN-3745 or ARINC 802 Methods.

STANDARD CONFIGURATIONS OVERVIEW

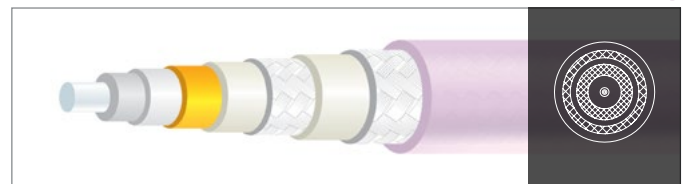
Simplex

Actual Size / 1.8mm ●



Ruggedized Simplex

Actual Size / 2.74mm ●



Ruggedized Duplex

Actual Size / 4.95mm ●



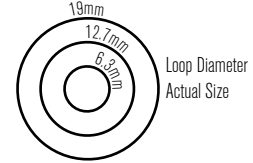
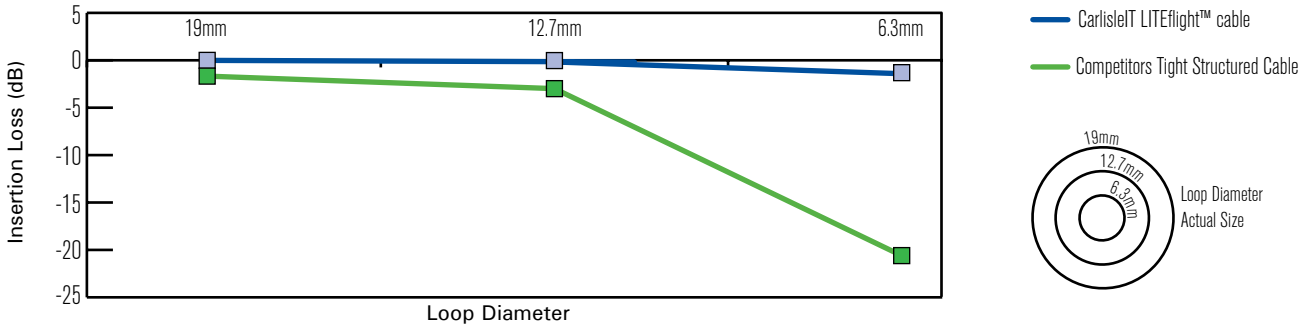
Ruggedized Quad

Actual Size / 5.72mm ●

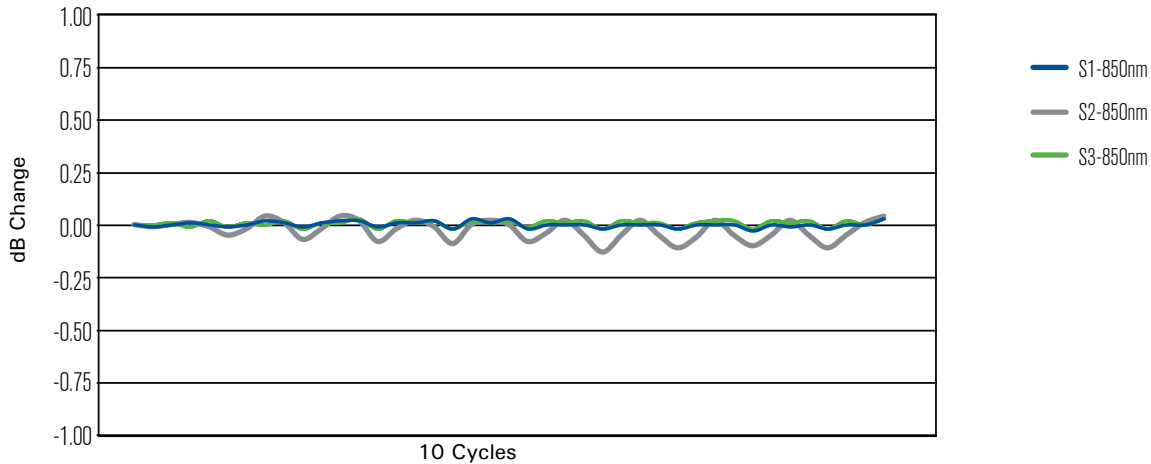


PERFORMANCE EXAMPLES

Cable Kink Performance Loss (per EN3745-509)



Temperature Cycling / NFO(EP)-125-3M4 / 10m Cable Sample; -65°C to +125°C



PART NUMBER GUIDE

NFO(EP) - X - Y - Z

X	Temperature Rating
125	125°C Rated Acrylate
150	150°C Rated Acrylate
260	260°C Rated Polyimide

Y	Fiber Type
0	900um Buffered 62.5/125 Multimode
1	1.8mm Jacketed 62.5/125 Multimode
2	900um Buffered 50/125 Multimode OM2*
2M3	900um Buffered 50/125 Multimode OM3*
2M4	900um Buffered 50/125 Multimode OM4*
3	1.8mm Jacketed 50/125 Multimode OM2*
3M3	1.8mm Jacketed 50/125 Multimode OM3*
3M4	1.8mm Jacketed 50/125 Multimode OM4*
4	900um Buffered Singlemode
4B	900um Buffered Singlemode Bend-Insensitive
5	1.8mm Jacketed Singlemode
5B	1.8mm Jacketed Singlemode Bend-Insensitive

Applicable only for Ruggedized Configurations

Z	Ruggedized Configurations
1	Double Jacket 2.74mm
2	Duplex Double Jacket 4.95mm
4	Quad Double Jacket 5.72mm