



Compact Smoke Detection Control Panel

INTRODUCTION

Carlisle Interconnect Technologies' (CarlisleIT) compact smoke detection control panel is ideal for retrofit and VIP applications, or where an auxiliary cabin smoke detection system is required. The panel is designed to interface with a wide range of aircraft smoke detection solutions and provide a compact, attractive, and easy-to-install solution that provides stand-alone smoke detector control. Not much larger than a deck of playing cards, this panel has an attractive control interface and interchangeable decorative housings available in any color required. Select from the FED-STD-595 color chart or ask for a completely custom finish. Installation can be on a bulk head or as part of a larger cabin monument. The flexible mounting provisions make for an easy integration into any cabin.

FEATURES & BENEFITS

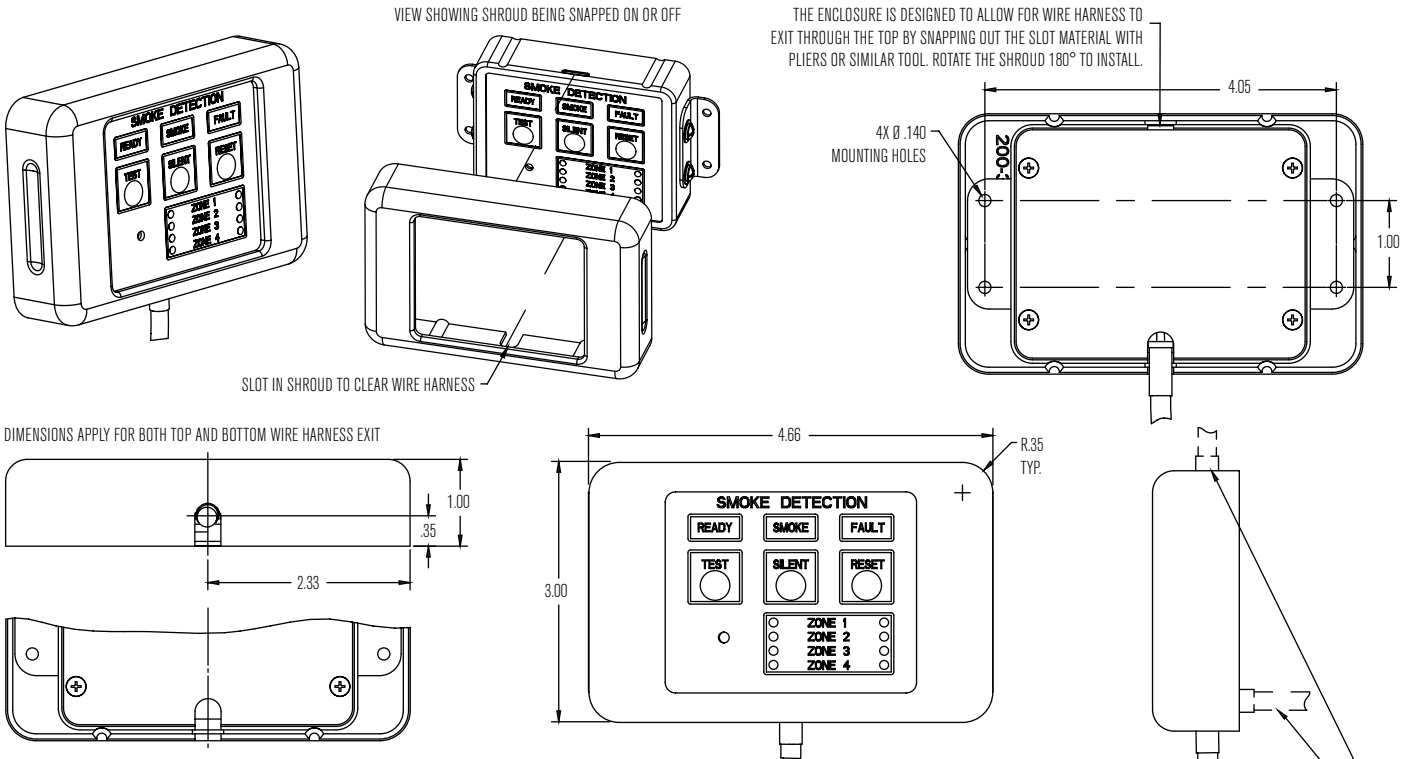
- » Controls up to four independent smoke detectors
- » Decorative options to match VIP and other custom interiors
- » Compact form factor
- » Flexible mounting options
- » Harness ready for integration into your connector solution
- » Approved under FAA TSO-C1e

TECHNICAL SPECIFICATIONS

- » Power: 28VDC Input, 1A Maximum
- » Weight: 1.0 lbs (0.46 kg)
- » RTCA/DO-160G Environmental Conditions
 - » Magnetic effect: CAT Z
 - » Power input: CAT ZXX
 - » Voltage spike: CAT A
 - » Induced signal susceptibility: CAT ZC
 - » Audio frequency conducted susceptibility - power inputs: CAT Z
 - » Radio frequency susceptibility - radiated and conducted: CAT R
 - » Emission of radio frequency energy: CAT M
 - » Lightning induced transient susceptibility: CAT A1C3XX
 - » Electrostatic discharge: CAT A
 - » Robust random vibration: CAT R. Curve B3 & B4
 - » Crash safety impulse: CAT B, 20 G 11 ms terminal sawtooth, random orientation
 - » Temperature: CAT A1
 - » Temperature variation: CAT C
 - » Altitude: CAT A1
 - » Humidity: CAT A
 - » Decompression: 43,000 ft (13,100 m)
 - » Operational shock: CAT B
 - » High level short duration vibration: CAT H, Curve R

Compact Smoke Detector Control Panel

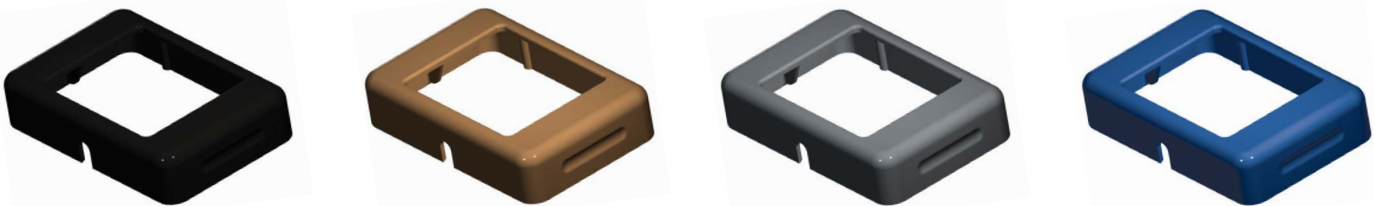
OUTLINE DIMENSIONS



Part Number	Description	Wire Harness Length	Cable Exit Direction	Specification Drawing
200-32935-101	Smoke Detector Control Panel	24 inches	Bottom/Rear	ECS-211082
200-32935-102	Smoke Detector Control Panel	180 inches	Bottom/Rear	ECS-211082
200-32935-103	Smoke Detector Control Panel	24 inches	Top/Rear	ECS-211082
200-32935-104	Smoke Detector Control Panel	180 inches	Top/Rear	ECS-211082
120-33909-102	Surface Mount Kit	-	-	ECS-211084
120-33909-109	Flush Mount Kit	-	-	ECS-211084
900-211252	Installation and User Manual	-	-	-

COLORED HOUSING OPTIONS

For applications where a specific color-coordinated finish is essential to maintain the overall color scheme of a cabin installation, CarlisleIT has made color matching easy. Just select any color and gloss level in FED-STD-595 or give us a call for additional options. Panels are also available with only primer applied and ready for paint on site.



Part Number	Description	Specification Drawing
200-32934-(+)	Shroud	ECS-211083

‡ Shroud part number can be completed using any FED-STD-595 color number as the final dash number or refer to the specification drawing for specific custom colors and finishes. For additional, or custom finishes, please contact the factory.