

ARINC 404A Trays



ARINC 404A Trays

INTRODUCTION

All ARINC 404A Trays are designed and fabricated in our state-of-the-art manufacturing facility using top quality aircraft grade materials to meet or exceed ARINC 404A specifications, as well as all civil and military aircraft application criteria. Our special designs stand up to the most rigorous environmental hazards for in-flight and on-the-ground operations. Each tray is fully warrantied, ensuring that your avionics systems equipment will not only fit securely, but operate safely. Off-the-shelf designs or custom solutions are available to best fit your requirements as well as the option of metering plates to accommodate aircraft forced air cooling systems.

APPLICATIONS

- » ARINC 404A Standards
- » CFR Title 14 Part 25, 23 and 21
- » RTCA/DO-160D
- » Mil-Std-810

KEY FEATURES

- » Durable, rugged construction
- » Light-weight aluminum alloy
- » 24 hour AOG support
- » Fan-cooled trays available conforming to Type A maximum cooling specifications per ARINC 404A. Cooling fans can be ordered with AC or DC power supply
- » Available with air filtration solutions
- » Clear Chem Film per Mil-DTL-5541, Type II, Class 3
- » Materials meet flammability, optical smoke density and toxic gas generation requirements
- » RoHS compliant in standard configurations

SERVICES

- » Shock and Vibration testing
- » Crash Safety testing
- » Structural Analysis
- » Finite Element Analysis
- » Flammability testing
- » Environmental testing
- » Air-flow and cooling analysis and testing

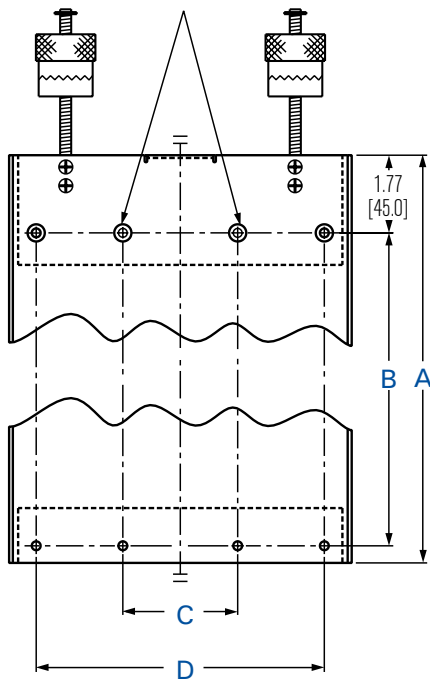
ARINC 404A Trays

MOUNTING PATTERNS

The following cut away diagrams illustrate Front and Rear Mounting Hole placement for ARINC 404A trays. No. 10 Mounting holes are standard on all trays. No. 8 mounting holes are available as an option.

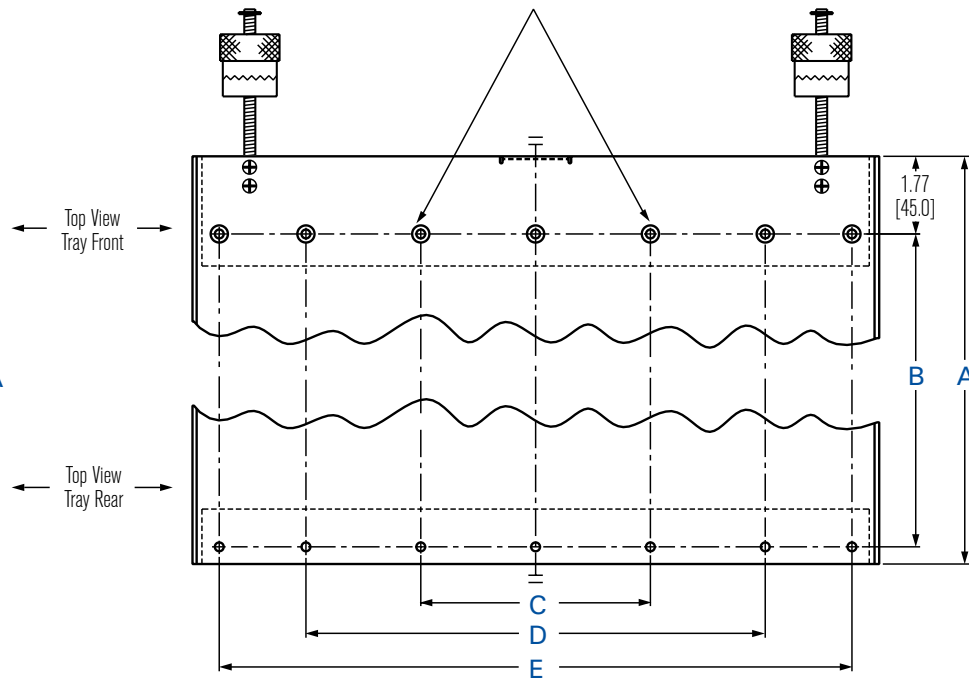
Note: Dimensions are in inches, bracketed [numbers] represent millimeters.

Mounting holes are countersunk 100°
accommodate No.10 mounting hardware



Standard Mounting Hole Pattern
» ¼, ⅜ and ¾ ATR

Mounting holes are countersunk 100° to
accommodate No.10 mounting hardware



Standard Mounting Hole Pattern
» ½, 1, 1 ½ ATR

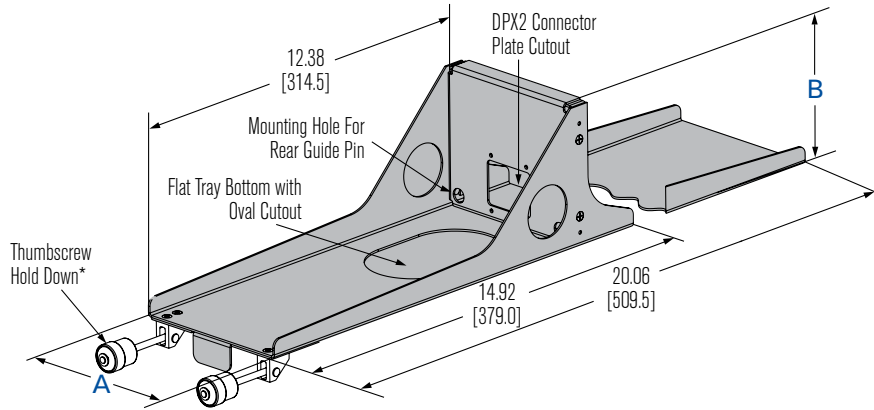
MOUNTING DIMENSIONS: REFERENCE CHART

ATR Size	A	B	C	D	E
¼	14.92 [379.0]	12.76 [324.1]	1.312 [33.3]	-	-
¼	20.06 [509.5]	18.00 [457.2]	1.312 [33.3]	-	-
⅜	14.92 [379.0]	12.76 [324.1]	2.624 [66.6]	-	-
⅜	20.06 [509.5]	18.00 [457.2]	2.624 [66.6]	-	-
½	14.92 [379.0]	12.76 [324.1]	3.936 [100.0]	-	-
½	20.06 [509.5]	18.00 [457.2]	3.936 [100.0]	-	-
¾	14.92 [379.0]	12.76 [324.1]	2.624 [66.6]	6.560 [166.6]	-
¾	20.06 [509.5]	18.00 [457.2]	2.624 [66.6]	6.560 [166.6]	-
1	14.92 [379.0]	12.76 [324.1]	5.248 [133.3]	9.184 [233.3]	-
1	20.06 [509.5]	18.00 [457.2]	5.248 [133.3]	9.184 [233.3]	-
1 ½	14.92 [379.0]	12.76 [324.1]	5.248 [133.3]	10.496 [266.6]	14.432 [366.6]
1 ½	20.06 [509.5]	18.00 [457.2]	5.248 [133.3]	10.496 [266.6]	14.432 [366.6]

DIMENSIONAL DATA

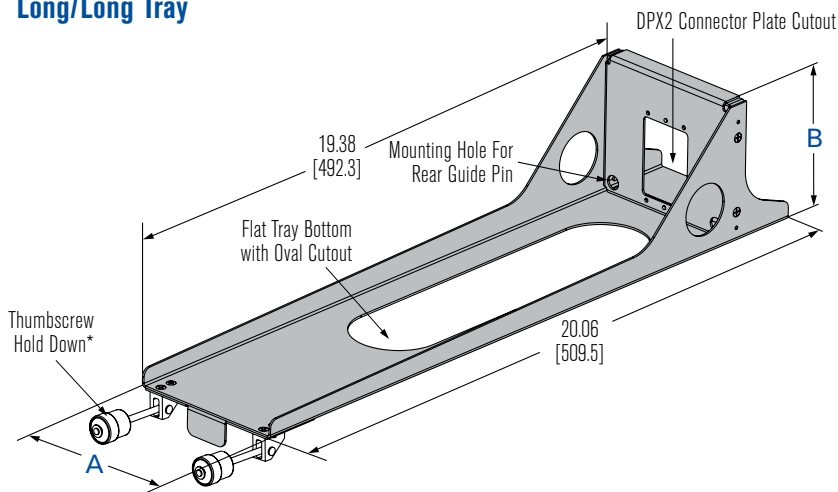
Note: Dimensions are in inches, bracketed [numbers] represent millimeters.

Short/Short and Short/Long Trays

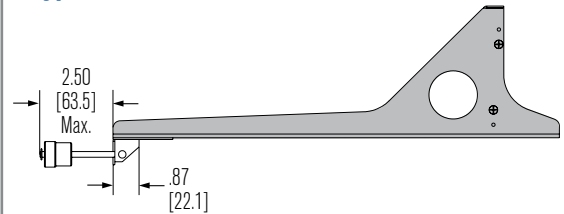


ATR Size	A (Outside Dimensions)	B
1/4	2.51 [63.8]	See Connector Plate B Dimensions on next page
3/8	3.81 [96.8]	
1/2	5.13 [130.3]	
3/4	7.73 [196.3]	
1	10.38 [263.7]	
1 1/2	15.63 [397.0]	

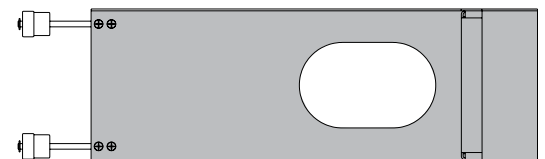
Long/Long Tray



Typical Side View

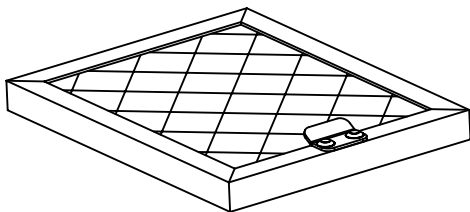


Typical Top View

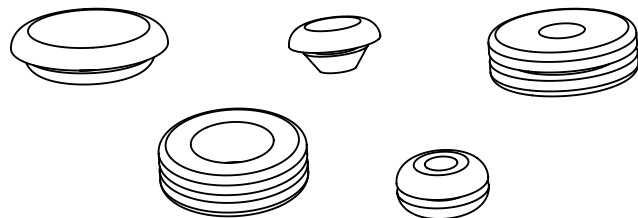


ACCESSORIES

Flat Filter



Plugs and Grommets



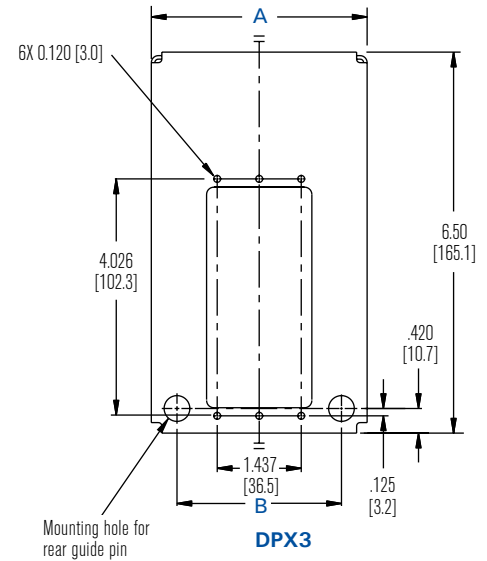
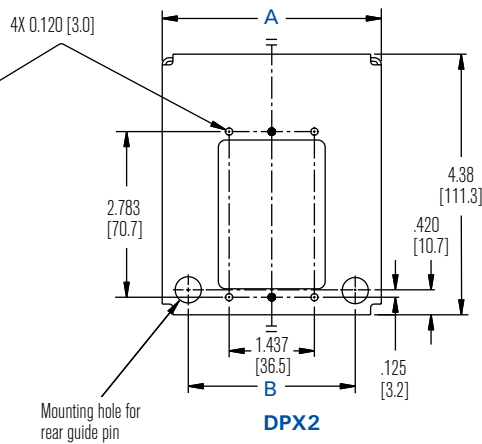
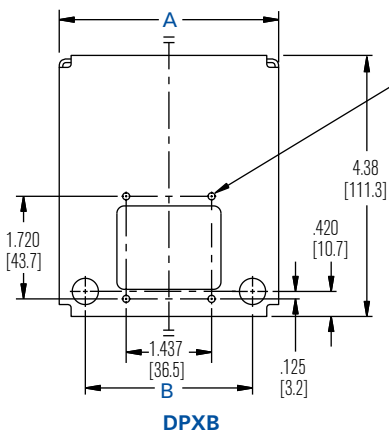
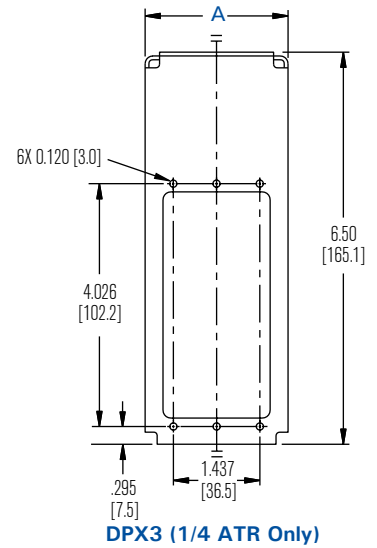
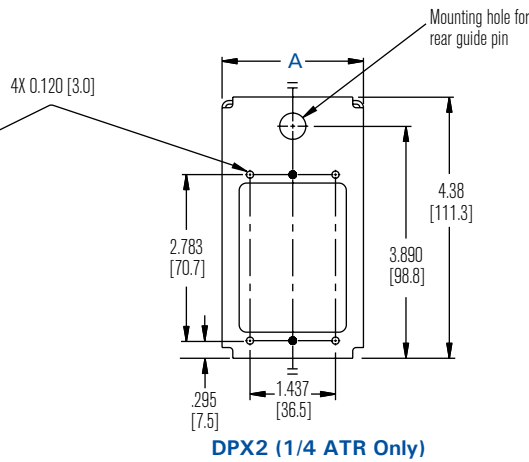
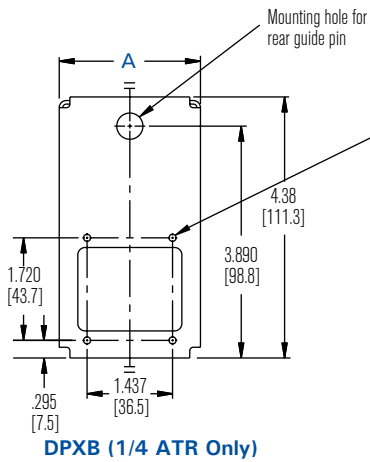
*Thumbscrew Hold Down options include: Insertion/Extraction, Advanced Thumbscrew and Military Style Thumbscrew.

All dimensions shown represent CarlisleIT's Standard tray dimensions and frequently requested options. CarlisleIT can customize any of these features to suit your specific needs.

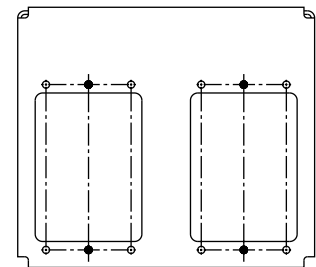
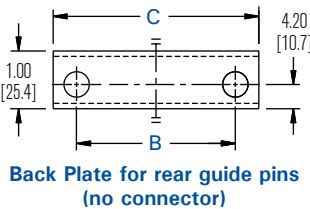
ARINC 404A Trays

CONNECTOR PLATES

For additional size information, special connector plate requirements or dual connector plate designs (see example at bottom right), complete the Custom Tray Worksheet located online at www.CarlisleIT.com.



Connector Plate Dimensions			
ATR	A	B	C
1/4	2.390 [60.7]	---	---
3/8	3.690 [93.7]	2.810 [71.4]	3.570 [90.7]
1/2	5.010 [127.3]	4.120 [104.6]	4.890 [124.2]
3/4	7.630 [193.8]	6.750 [171.5]	7.47 [189.7]
1	10.260 [260.6]	9.380 [238.3]	10.130 [257.3]
1 1/2	15.510 [394.0]	14.625 [371.5]	15.380 [390.7]



Note: Dimensions are in inches, bracketed [numbers] represent millimeters. Add 0.12 [3.0] to B dimension to determine overall tray height.