

# Aero M/I SATCOM Antenna Adapter Plate Kits



Aero M/I SATCOM Antenna Adapter Plate Kit

## INTRODUCTION

Carlisle Interconnect Technologies (CarlisleIT) produces a series of antenna adapter plate kits for use with the IGA-5006 antenna, commonly used for Aero I, Aero Mini-M and Swift Broadband applications. These kits allow small installers and large maintenance facilities a catalog solution to match the aircraft contour to the antenna. These adapter plates ship with everything you need. CarlisleIT fabricates the adapters in its state-of-the-art manufacturing facility on the advanced 5-axis machine center to provide a perfect contoured fit to a wide range of fuselages. Additionally, CarlisleIT's engineering team can support its customers with installation design, substantiation, damage tolerance assessments and even a full STC application, if requested. CarlisleIT can provide any level of support required by its customers. Please contact the factory for detailed contents of each kit.

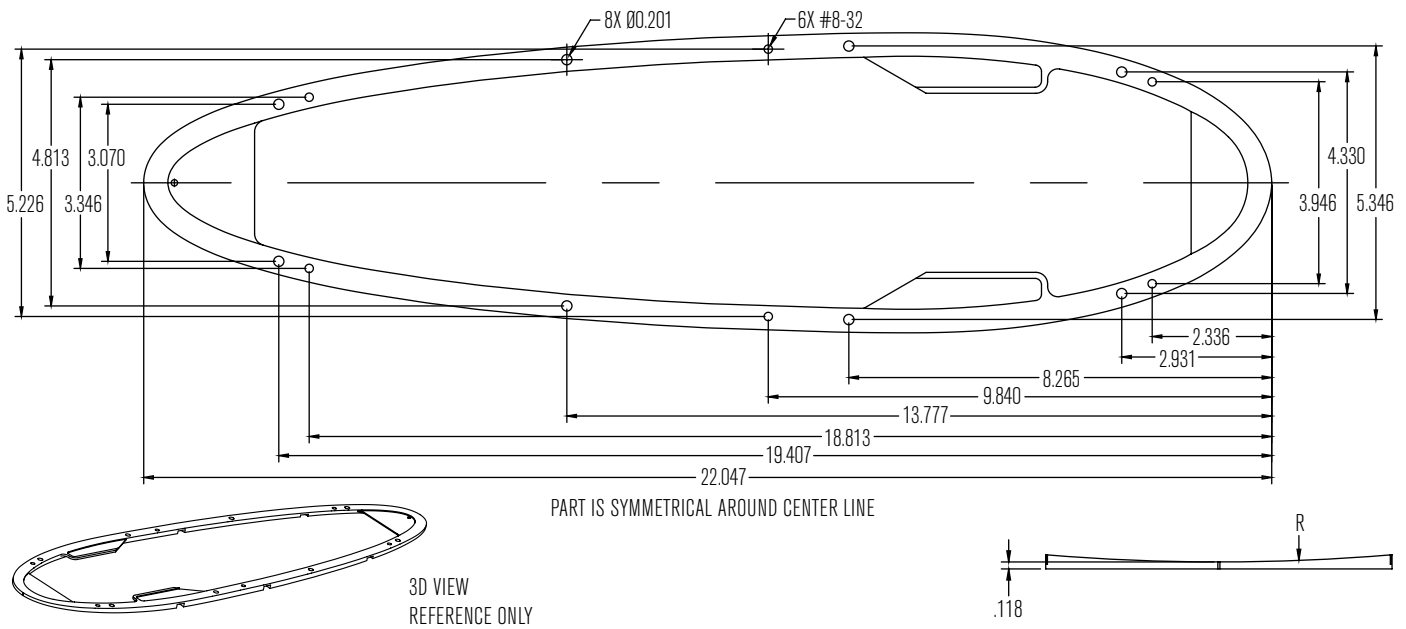
## PART NUMBERS

P/N	Fuselage Radius (cm)	Fuselage Radius (in)	Suitable Aircraft Types
120-23393-101	Flat	Flat	
120-23393-102	31.8 - 32.3	12.52 - 12.72	
120-23393-103	37.6 - 38.4	14.80 - 15.12	
120-23393-104	44.5 - 45.5	17.52 - 17.91	
120-23393-105	49.3 - 50.7	19.41 - 19.96	Dassault F900 engine mount
120-23393-106	58.1 - 59.9	22.87 - 23.58	Proteus
120-23393-107	73.5 - 76.5	28.94 - 30.12	
120-23393-108	76.5 - 79.4	30.12 - 31.26	

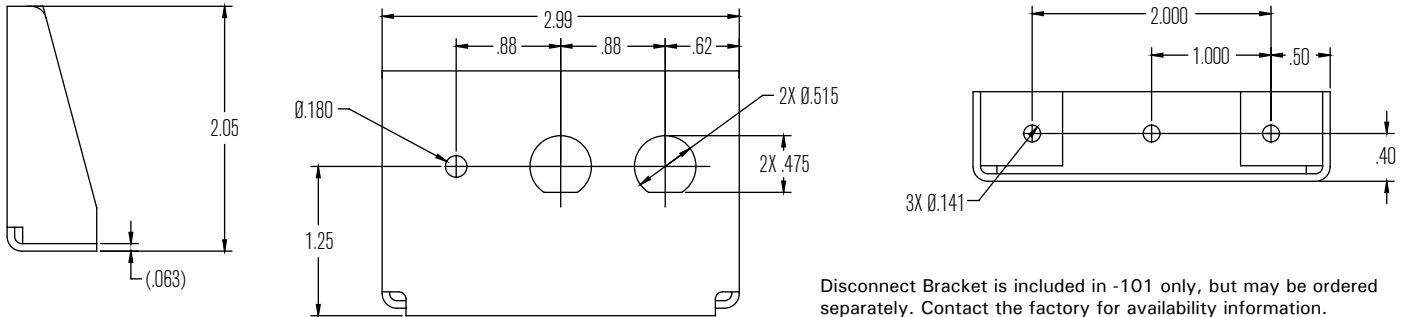
P/N	Fuselage Radius (cm)	Fuselage Radius (in)	Suitable Aircraft Types
120-23393-109	79.4 - 83.0	31.26 - 32.68	Lear 20/30 Series; Citation II, 550 (Bravo), Citation Jet, Ultra
120-23393-110	83.0 - 87.5	32.68 - 34.45	Visionaire Vantage
120-23393-111	87.5 - 92.0	34.45 - 36.22	Citation III, IV, 560XL (Excel); Astra SPX
120-23393-112	92.0 - 96.0	36.22 - 37.80	
120-23393-113	96.0 - 100.0	37.80 - 39.37	Hawker HS 125-700, HS 125-800; Lear 55 and 60 Series
120-23393-114	100.0 - 105.0	39.37 - 41.34	Dassault Falcon 20/200
120-23393-115	105.0 - 111.5	41.34 - 43.90	Jetstar II
120-23393-117	111.5 - 117.5	43.90 - 46.26	Galaxy
120-23393-118	117.5 - 124.0	46.26 - 48.82	Gulfstream G-II, G-11B, G-III, G-IV, G-V, Yak-40
120-23393-119	124.0 - 131.0	48.82 - 51.57	
120-23393-120	131.0 - 140.0	51.57 - 55.12	Global Express, Canadair Challenger CL600, Bombardier Challenger 850
120-23393-121	140.0 - 151.0	55.12 - 59.45	Tu134
120-23393-122	151.0 - 163.0	59.45 - 64.17	
120-23393-123	163.0 - 174.0	64.17 - 68.50	BAC 111
120-23393-124	174.0 - 183.0	68.50 - 72.05	King Air Models 90, 100, 200, 300, 350; Yak 42
120-23393-125	183.0 - 191.0	72.05 - 75.20	Boeing 737, Antonov AN124
120-23393-126	191.0 - 202.0	75.20 - 79.53	Ilyushin 62
120-23393-127	202.0 - 222.0	79.53 - 87.40	
120-23393-128	222.0 - 250.0	87.40 - 98.43	
120-23393-129	250.0 - 285.0	98.43 - 112.20	
120-23393-130	285.0 - 330.0	112.20 - 129.92	Ilyushin 96
120-23393-131	330.0 - 401.0	129.92 - 157.87	
120-23393-132	401.0 - 510.0	157.87 - 200.79	Aero Commander

# Aero M/I SATCOM Antenna Adapter Plate Kits

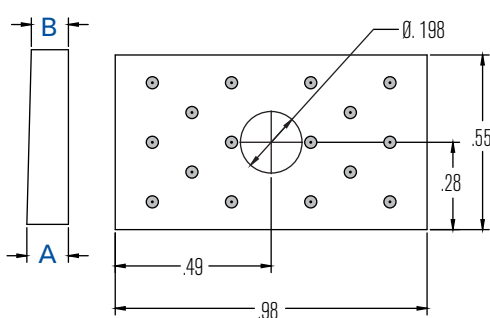
## Adapter Plate



## Disconnect Bracket (200-23390-01)



## Nut Plate Shims



"A" ± .002	"B" ± .002	Quantity of Drill Points (Position Optional)
.1181	.1181	0
.1240	.1122	1
.1280	.1083	2
.1319	.1043	3
.1358	.1004	4
.1398	.0965	5
.1437	.0925	6
.1476	.0886	7
.1516	.0846	8
.1555	.0807	9
.1850	.0591	11
.1969	.0591	12
.1929	.0492	13

Dimensions are in inches.

## Applicator

