

# Advanced Thumbscrew Hold-Down



Thumbscrew Hold-Down

## FEATURES & BENEFITS

### Safety

- » Resists vibration and shock even when not fully engaged

### Function

- » Secure ratcheting locking mechanism
- » Easy engagement and dis-engagement

## CONSTRUCTION

### Materials

P/N 200-34562-101

- » Aluminum with anodized finish
- » Acetal
- » RoHS compliant

### Fasteners

- » Installation via #6-32 (.138-32) UNC screws using standard tooling

## SPECIFICATIONS

### Conforms to:

- » ASNA2168

### Designed for use with equipment:

- » ARINC 404A                   » ARINC 704A
- » ARINC 600                    » ARINC 738A-1
- » ARINC 628

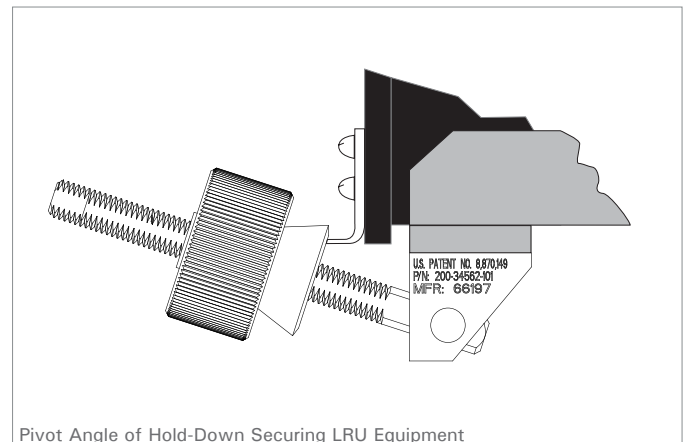
### Weight

- » P/N 200-34562-101 31g Max

**US Patent Number 8,870,149**



P/N: ABS1876-03 w/ Advanced Thumbscrew Hold-Down

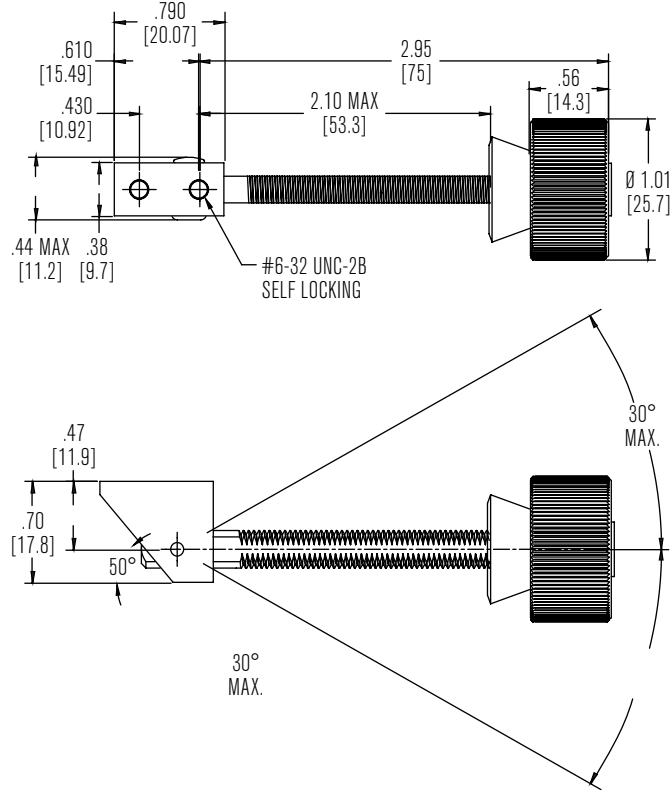


Pivot Angle of Hold-Down Securing LRU Equipment

# Advanced Thumbscrew Hold-Down

## P/N 200-34562-101

Refer to ECS-211060 for more details.



## TESTED TO MEET THE FOLLOWING REQUIREMENTS:

### Temperature

- » Cat D3 per section 4.0 of RTCA/DO-160G

### Maximum Working Load

- » 465 lbf (207 daN)

### Operational Shock

- » 6g 11ms ½ sine shock pulse (3 shocks in all 6 directions)

### Crash Safety Impulse

- » 15g 11ms ½ sine shock pulse (1 shock in all 6 directions)
- » 20Gs per section 7.3.1 of RTCA/DO-160G (1 shock in all 6 directions)

### Crash Safety Sustained

- » 12g (1 minute all 6 directions)
- » 20Gs per section 7.3.3 of RTCA/DO-160G (3 seconds in all 6 directions)

### Robust Vibration

- » Sinusoidal (3 hours for each direction up to 2.5G)
- » Random Cat R, Curve B3 & B4 per section 8.7.2 of RTCA/DO-160G
- » BPS-C-157 section 3.6.4

### Unbalance (Tire Burst)

- » 36 seconds up to 10G in each direction

### Max Flight Acceleration

- » 6.5G up, 4.5G down, 3G other directions for 3min

### Windmilling

- » Sweep (9-30Hz) for 160 minutes between 4 & 5.6G, 1 sweep 9-2Hz at 3G

### Mechanical Endurance

- » 1,000 cycles

### Flammability

- » F3 Horizontal per Title 14 CFR 25.853(a), Appendix F, Part I (a)(1)(iv)

### Optical Smoke Density

- » Title 14 CFR 25.853(d), Appendix F, Part V
- » BSS 7238
- » AITM 2.0007 per ABD0031 (6.3) (7.3 & 7.31 & 7.3.2 Table 1)

### Generation of Toxic Gasses

- » BSS 7239
- » AITM 3.0005 per ABD0031 (7.4)