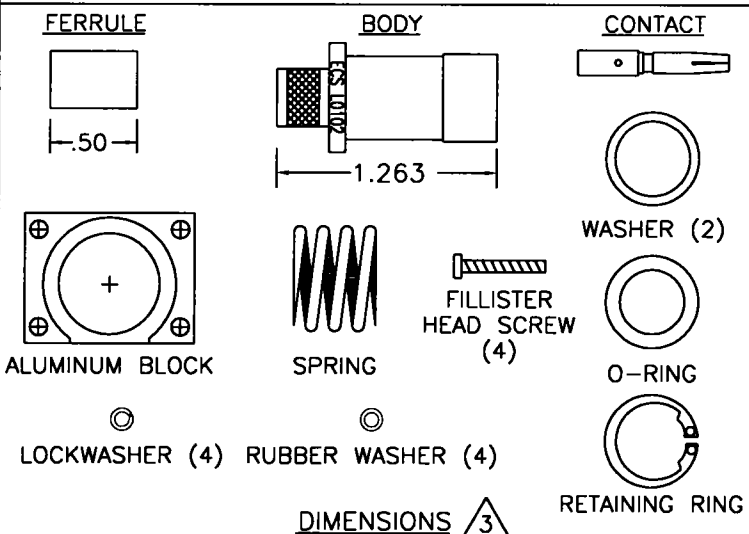


This print and associated documents and the contained information are the confidential property of ELECTRONIC CABLE SPECIALISTS. Disclosure of, and/or reproduction of, all or part thereof or manufacture of any part from information contained on this print not specifically permitted by ELECTRONIC CABLE SPECIALISTS in writing is forbidden.



DIMENSIONS  $\Delta$  3

**SPECIFICATIONS**

**ELECTRICAL**

IMPEDANCE: 50 OHMS NOMINAL  
 FREQUENCY RANGE: 0-6 GHz  
 VSWR: 1.70:1 MAXIMUM  
 INSERTION LOSS: 0.3 dB @ 6 GHz  
 WORKING VOLTAGE: 1000 VRMS @ SEA LEVEL  
 DIELECTRIC WITHSTANDING: 2500 VRMS @ SEA LEVEL  
 INSULATION RESISTANCE: 5000 MEGOHMS MINIMUM @ 500 VOLTS DC

**MECHANICAL**

MECHANICAL INTERFACE PER ARINC SPEC 600 FIGURE 19-54.2 (SIZE 1)  
 TERMINATION STYLE: CENTER CONTACT-SOLDER OR CRIMP FERRULE-CRIMP  
 CABLE RETENTION: 60 LBS

**ENVIRONMENTAL**

TEMPERATURE RATING: -65° TO +200°  
 VIBRATION: MIL-STD-202, METHOD 204, COND. B  
 SHOCK: MIL-STD-202, METHOD 213, COND. I  
 THERMAL SHOCK: MIL-STD-202, METHOD 107, COND. B  
 CORROSION: MIL-STD-202, METHOD 101, COND. B  
 MOISTURE RESISTANCE: MIL-STD-202, METHOD 106

**MATERIALS**

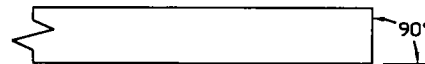
BODY: BRASS PER QQ-B-626  
 FERRULE: ANNEALED BRASS PER QQ-B-626  
 CENTER CONTACT: BERYLLIUM COPPER PER QQ-C-530  
 DIELECTRIC: TEFLON PER L-P-403

**FINISHES**

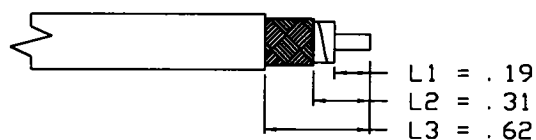
BODY, FERRULE: BRIGHT NICKEL PER QQ-N-290  
 CENTER CONTACT: GOLD PER MIL-G-45204

**INSTALLATION INSTRUCTIONS**

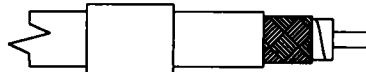
1. BEGIN BY CUTTING THE CABLE OFF SQUARE.



2. WHEN USING AUTOMATIC STRIPPING EQUIPMENT, STRIP CABLE AS SHOWN STARTING WITH L1 AND ENDING WITH L3. TAKE CARE NOT TO NICK THE CONDUCTORS WHILE STRIPPING THE DIELECTRIC AND JACKET. IF AUTOMATIC STRIPPING EQUIPMENT IS NOT AVAILABLE, STRIP ONLY L1 AND L3 AND TRIM EXCESS BRAID AT STEP 10.



3. SLIDE THE FERRULE AND ADHESIVE SHRINK TUBING  $\Delta$  1 OVER THE END OF THE CABLE.



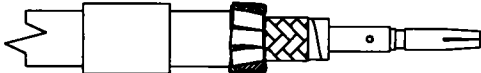
4. SOLDER THE CONTACT ONTO THE CENTER CONDUCTOR, PER MIL-STD-2000, USING 63Sn/37Pb SOLDER. SOLDER OR CRIMP WITH Y1757 DIE. ENSURE THE CONTACT IS BUTTED AGAINST THE CABLE DIELECTRIC. CLEAN ALL FLUX RESIDUES USING APPROPRIATE FLUX CLEANER.



5. USING TWEEZERS, FOLD THE OUTER BRAID BACK OVER THE CABLE JACKET, LEAVING AS MUCH WEAVE AS POSSIBLE.



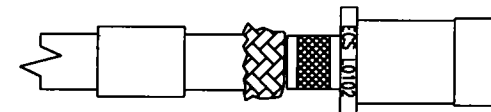
6. SLICE THE ALUMINUM/POLYESTER FOIL LENGTHWISE ABOUT EVERY 1/8". GENTLE ROTATE PIN TO SEPARATE THE FLAT FOIL BRAID AND ALUMINUM/POLYESTER FOIL FROM THE DIELECTRIC. USING TWEEZERS, FOLD BACK ALUMINUM/POLYESTER FOIL OVER THE OUTER BRAID.



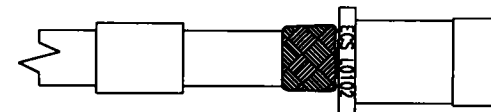
7. USING TWEEZERS, FOLD THE INNER BRAID BACK OVER THE OTHER SHIELDS, LEAVING AS MUCH WEAVE AS POSSIBLE. NOTE: DO NOT UNRAVEL DIELECTRIC WHEN PULLING BACK OUTER SHIELD.



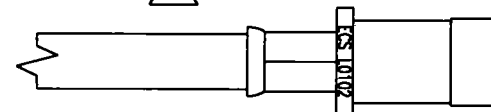
8. SLIDE THE BODY OF THE CONNECTOR OVER THE END OF THE CABLE UNTIL THE NOTCH IN THE CONTACT SEATS INTO THE DIELECTRIC RIDGE INSIDE THE CONNECTOR BODY.



9. FOLD ALL THREE BRAIDS UP OVER THE NECK OF THE CONNECTOR BODY.



10. SLIDE THE FERRULE UP OVER THE SHIELDS AND AGAINST THE CONNECTOR BODY. TRIM AWAY ANY EXCESS BRAID. CRIMP THE FERRULE ONCE, NEXT TO THE BODY, USING THE M22520/5-31 DIE IN A M22520/5-01 TOOL FRAME. APPLY ADHESIVE HEAT SHRINK.  $\Delta$  2



**NOTES**

- $\Delta$  1 ENSURE HEAT SHRINK IS INSTALLED PRIOR TO CRIMPING CONNECTOR.
- $\Delta$  2 ADHESIVE HEAT SHRINK SHOULD BE APPLIED IN ACCORDANCE WITH ECS WORK INSTRUCTION W1007. CONTACT ECS FOR A COPY OF THIS WORK INSTRUCTION.
- $\Delta$  3 CONNECTOR DIMENSIONS ARE FOR REFERENCE ONLY.

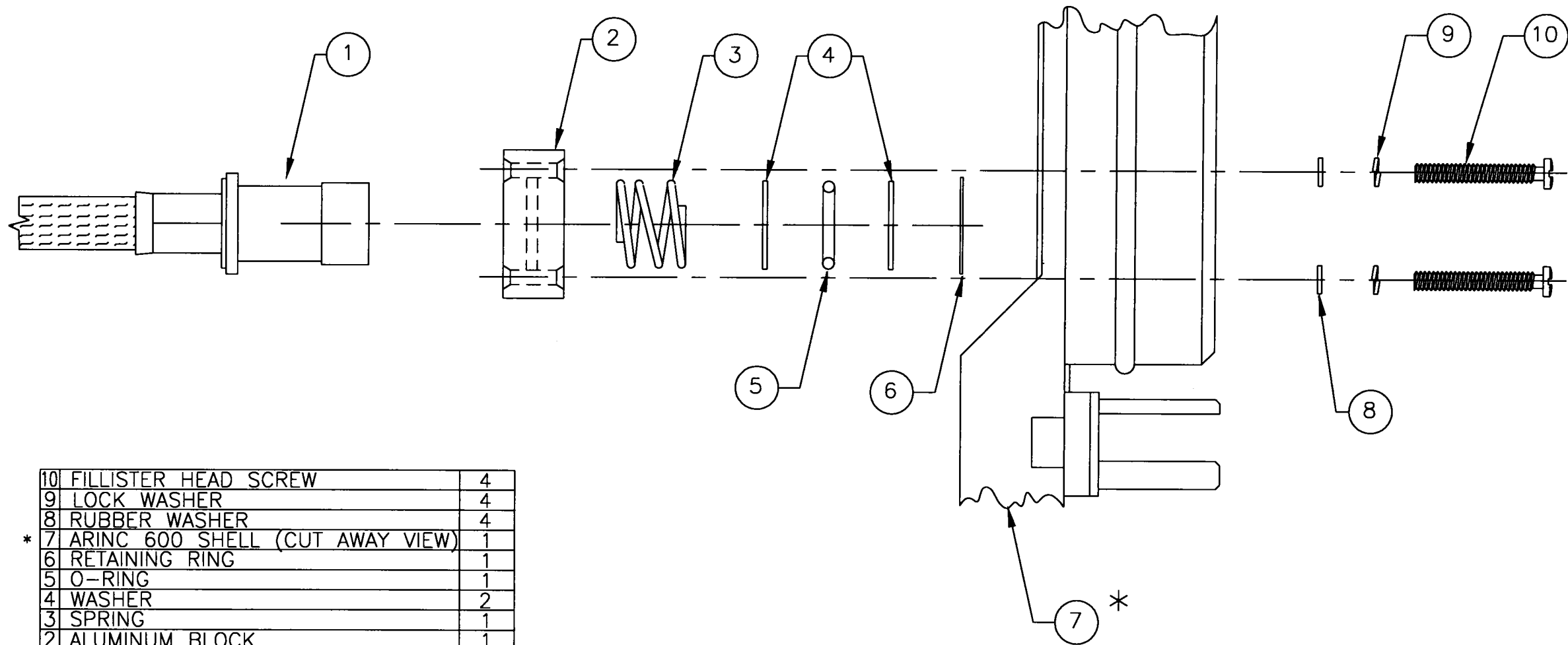
ALL LENGTHS IN INCHES		ECS		ELECTRONIC CABLE SPECIALISTS FRANKLIN, WI 53132 PHONE: (414) 421-5300	
APPROVALS	DATE	TITLE: CUSTOMER SPECIFICATION SIZE 1, ARINC 600, RF CONNECTOR FOR ECS CABLE 310701			
DRAWN BY: C CHAPMAN	12/14/04	SIZE	CAGE CODE	LEVEL	DWG NO.
CHECKED BY: D KNOLL	12/20/04	B	66197		L0102
DESIGNED BY:		SCALE:	EFFECTIVITY:	SHEET: 1 OF 2	
PROJECT ENG:					
ENG. MGR: D KNOLL	12/20/04				

This print and associated documents and the contained information are the confidential property of ELECTRONIC CABLE SPECIALISTS. Disclosure of, and/or reproduction of, all or part thereof or manufacture of any part from information contained on this print not specifically permitted by ELECTRONIC CABLE SPECIALISTS in writing is forbidden.


INSTALLATION INSTRUCTIONS--RETAINING HARDWARE

1. SLIDE ITEMS 2 THRU 6 ONTO ITEM 1 IN THE ORDER SHOWN.
  2. COMPRESS ITEM 3 UNTIL ITEM 6 SNAPS INTO PLACE BENEATH THE RIDGE OF ITEM 1.
  3. INSERT ITEM 1 AND ITS ACCOMPANYING HARDWARE INTO ITEM \*7. ITEM 2 MAY HAVE TO BE ROTATED TO INSURE PROPER SEATING.
  4. SLIDE ITEMS 8 AND 9 ONTO ITEM 10 IN THE ORDER SHOWN.
  5. SCREW ITEM 10 AND ITS ACCOMPANYING HARDWARE THROUGH ITEM \*7 INTO ITEM 2. TIGHTEN ITEM 10 TO 2.0 - 2.9 IN-LBS TORQUE.
  6. REPEAT STEPS 4 & 5 FOR REMAINING HARDWARE.
- \* NOT SUPPLIED WITH L-SERIES CONNECTOR.

NOTE: ASSEMBLE CONNECTOR BODY TO CABLE PER SHEET 1 OF THIS DRAWING.



10	FILLISTER HEAD SCREW	4
9	LOCK WASHER	4
8	RUBBER WASHER	4
* 7	ARINC 600 SHELL (CUT AWAY VIEW)	1
6	RETAINING RING	1
5	O-RING	1
4	WASHER	2
3	SPRING	1
2	ALUMINUM BLOCK	1
1	L TYPE CONNECTOR ATTACHED TO CABLE	1
ITEM NUMBER	DESCRIPTION	QTY EACH

		<b>ELECTRONIC CABLE SPECIALISTS</b> FRANKLIN, WI 53132 PHONE: (414) 421-5300	
SIZE	CAGE CODE	LEVEL	PART NO.
B	66197		L0102
SCALE:		FILE NO. F:\E\SPEC\CONN\INST\L0122-2	SHEET: 2 OF 2