

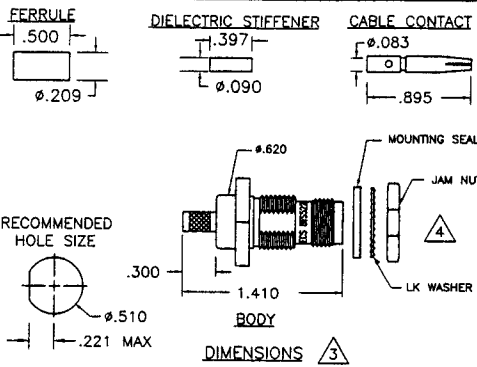
4

3

DWG NO. BTS522-1 SH 1 REV. N/C

1

This print and associated documents and the contained information are the confidential property of ELECTRONIC CABLE SPECIALISTS. Disclosure of, and/or reproduction of, all or part thereof or manufacture of any part from information contained on this print not specifically permitted by ELECTRONIC CABLE SPECIALISTS in writing is forbidden.



**SPECIFICATIONS**

**ELECTRICAL**  
 IMPEDANCE: 50 OHMS NOMINAL  
 FREQUENCY RANGE: 0-11 GHz  
 VSWR: 1.2:1 MAXIMUM DC TO 2GHz  
 INSERTION LOSS: .1dB MAXIMUM DC TO 2GHz  
 WORKING VOLTAGE: 500 VRMS @ SEA LEVEL  
 DIELECTRIC WITHSTANDING: 1500 VRMS @ SEA LEVEL  
 INSULATION RESISTANCE: 5000 MEGOHMS MINIMUM @ 500 VOLTS DC

**MECHANICAL**  
 CONNECTOR INTERFACE: DIMENSION PER MIL-STD-348A FIGURE 313-2 (TNC)  
 TERMINATION STYLE: CABLE CONTACT-SOLDER OR CRIMP FERRULE-CRIMP  
 CABLE RETENTION: 15 LBS

**ENVIRONMENTAL**  
 TEMPERATURE RATING: -65° TO +165° C  
 VIBRATION: MIL-STD-202, METHOD 204, COND. 1  
 SHOCK: MIL-STD-202, METHOD 213, COND. 1  
 THERMAL SHOCK: MIL-STD-202, METHOD 107, COND. B  
 CORROSION: MIL-STD-202, METHOD 101, COND. B  
 MOISTURE RESISTANCE: MIL-STD-202, METHOD 106

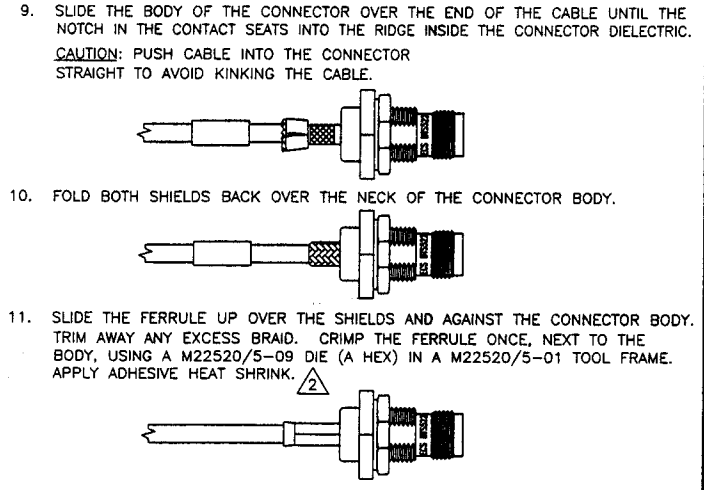
**MATERIALS**  
 BODY: BRASS PER ASTM B16  
 FERRULE: ANNEALED BRASS PER ASTM B16 OR COPPER PER ASTM B124  
 CENTER CONTACT: BERYLLIUM COPPER PER ASTM B196  
 DIELECTRIC: TEFLON PER ASTM D1710  
 MOUNTING SEAL: SILICONE RUBBER PER ZZ-R-765

**FINISHES**  
 BODY, FERRULE: BRIGHT NICKEL PER QQ-N-290  
 CENTER CONTACT: GOLD PER MIL-G-45204

INSTALLATION INSTRUCTIONS

- BEGIN BY CUTTING THE CABLE OFF SQUARE. 90°
- STRIP THE CABLE AS SHOWN, BEGINNING WITH L1 AND ENDING WITH L2. TAKE CARE NOT TO NICK THE CONDUCTORS WHILE STRIPPING THE DIELECTRIC AND JACKET. THE USE OF A STRIPPER DESIGNED FOR COAXIAL CABLE IS RECOMMENDED. L1 = .29  
L2 = .61
- SLIDE THE FERRULE AND ADHESIVE SHRINK TUBING OVER THE END OF THE CABLE. 1
- USING TWEEZERS, FOLD THE OUTER BRAID BACK OVER THE CABLE JACKET, LEAVING AS MUCH WEAVE AS POSSIBLE.
- SLIT FOIL LONGITUDINALLY AND FOLD BACK OVER THE OTHER SHIELD.
- REMOVE THE DIELECTRIC FROM THE CENTER CONDUCTOR BACK, TO THE BEGINNING OF THE FOLDED BACK SHIELD, APPROXIMATELY .60 INCHES FROM THE END OF THE CENTER CONDUCTOR. BE CAREFUL NOT TO NICK THE CENTER CONDUCTOR. THERMAL STRIPPERS ARE RECOMMENDED. .60
- INSTALL DIELECTRIC STIFFENER OVER CENTER CONDUCTOR, ENSURING THAT IT IS BUTTED AGAINST THE CABLE DIELECTRIC.
- ENSURE THAT THE CONTACT IS BUTTED AGAINST THE DIELECTRIC STIFFENER.
  - SOLDER CONTACT ONTO CENTER CONDUCTOR, PER MIL-STD-2000 USING 63Sn/37Pb SOLDER. CLEAN FLUX RESIDUE USING APPROPRIATE CLEANER.
  - CRIMP CONTACT ONTO CENTER CONDUCTOR USING A M22520/5-09 DIE (B HEX).

REVISIONS					
ECN	ZONE	REV.	DESCRIPTION	DATE	APPROVED
12488		N/C	NEW RELEASE	12/7/00	<i>[Signature]</i>



**NOTES**

1 ENSURE HEAT SHRINK IS INSTALLED PRIOR TO CRIMPING CONNECTOR.

2 ADHESIVE HEAT SHRINK SHOULD BE APPLIED IN ACCORDANCE WITH ECS WORK INSTRUCTION W1007. CONTACT ECS FOR A COPY OF THIS WORK INSTRUCTION.

3 CONNECTOR DIMENSIONS ARE FOR REFERENCE ONLY.

4 INSTALL MOUNTING SEAL, LOCK WASHER AND JAM NUT IN ORDER SHOWN.

ALL LENGTHS IN INCHES		ECS		ELECTRONIC CABLE SPECIALISTS FRANKLIN, WI 53132 PHONE: (414) 421-5300	
APPROVALS	DATE	TITLE: CUSTOMER SPECIFICATION			
DRAWN BY: C CHAPMAN	9/12/00	TNC BULKHEAD JACK FOR ECS CABLE 4.32101 AND 532101			
CHECKED BY: <i>[Signature]</i>	12/7/00	SIZE: B	CAGE CODE: 66197	LEVEL: C	PART NO.: BTS522
DESIGNED BY:		PROJECT ENG:		SCALE:	FILE NO:
ENG. WORK: <i>[Signature]</i>	12/7/00				SHEET: 1 OF 1

4

3

2

1