

4

3

DWG NO. BNF101-1 SH 1 REV. A

1

This print and associated documents and the contained information are the confidential property of ELECTRONIC CABLE SPECIALISTS. Disclosure of, and/or reproduction of, all of part thereof or manufacture of any part from information contained on this print not specifically permitted by ELECTRONIC CABLE SPECIALISTS in writing is forbidden.

REVISIONS					
ECN	ZONE	REV.	DESCRIPTION	DATE	APPROVED
6200		N/C	NEW RELEASE	11/6/97	MCT
9911		A	ADD NOTE 4, MIL SPEC P/N	9/22/99	MCT

SPECIFICATIONS

ELECTRICAL

IMPEDANCE: 50 OHMS NOMINAL
 FREQUENCY RANGE: 0-11 GHz
 VSWR: 1.3:1 MAXIMUM DC TO 11GHz
 INSERTION LOSS: .15dB MAXIMUM DC TO 11GHz
 WORKING VOLTAGE: 1000 VRMS @ SEA LEVEL
 DIELECTRIC WITHSTANDING: 2500 VRMS @ SEA LEVEL
 INSULATION RESISTANCE: 5000 MEGOHMS MINIMUM
 @ 500 VOLTS DC

MECHANICAL

CONNECTOR INTERFACE DIMENSION PER MIL-STD-348A FIGURE 304-2

ENVIRONMENTAL

TEMPERATURE RATING: -65° TO +165° C
 VIBRATION: MIL-STD-202, METHOD 204, COND. B
 SHOCK: MIL-STD-202, METHOD 213, COND. I
 THERMAL SHOCK: MIL-STD-202, METHOD 107, COND. B
 CORROSION: MIL-STD-202, METHOD 101, COND. B
 MOISTURE RESISTANCE: MIL-STD-202, METHOD 106

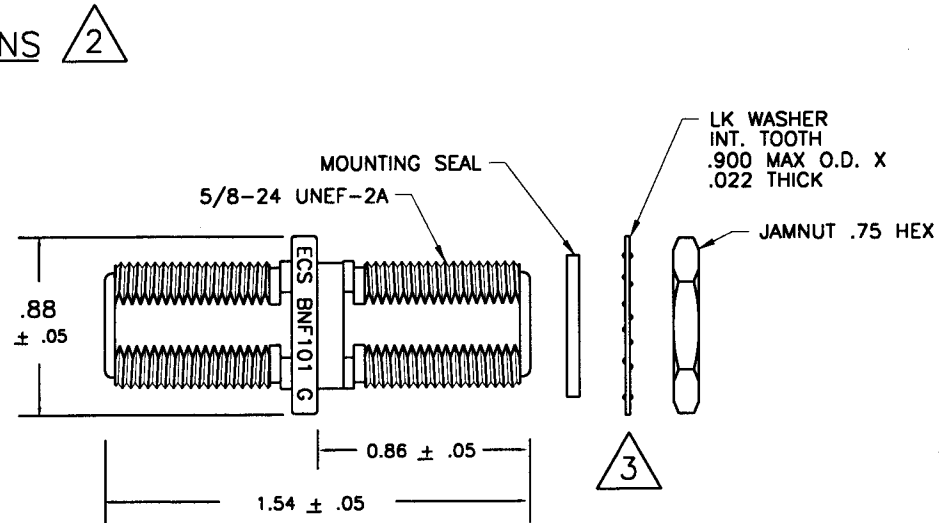
MATERIALS

BODY: BRASS PER QQ-B-626
 CENTER CONTACT: BERYLLIUM COPPER PER QQ-C-530
 DIELECTRIC: TEFLON PER L-P-403
 GASKET: SILICONE RUBBER PER ZZ-R-765

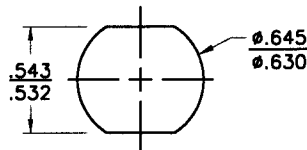
FINISHES

BODY: BRIGHT NICKEL PER QQ-N-290
 CENTER CONTACT: GOLD PER MIL-G-45204

DIMENSIONS



MOUNTING HOLE SIZE



NOTES

- ALL DIMENSIONS ARE IN INCHES.
- CONNECTOR DIMENSIONS ARE FOR REFERENCE ONLY.
- INSTALL MOUNTING SEAL, LOCK WASHER AND JAMNUT IN ORDER SHOWN.
- ECS CONNECTOR P/N BNF101 IS EQUIVALENT TO MIL SPEC P/N M55339/04-00030.

APPROVALS		DATE	ELECTRONIC CABLE SPECIALISTS FRANKLIN, WI 53132 PHONE: (414) 421-5300		
DRAWN BY:	M TAUBENHEIM	11/6/97	TITLE: CUSTOMER SPECIFICATION "N" TYPE BULKHEAD ADAPTER, JCK-JCK, HERMETIC SEAL, ECS P/N BNF101		
CHECKED BY:	JB HACKETT	11/6/97	SIZE	CAGE CODE	LEVEL PART NO.
DESIGNED BY:			B	66197	BNF101
PROJECT ENG:	M TAUBENHEIM	11/6/97	SCALE:	FILE NO F:\E\SPEC\CONN\INST\BNF101	SHEET: 1 OF 1
ENG. MGR:					

4

3

2

1