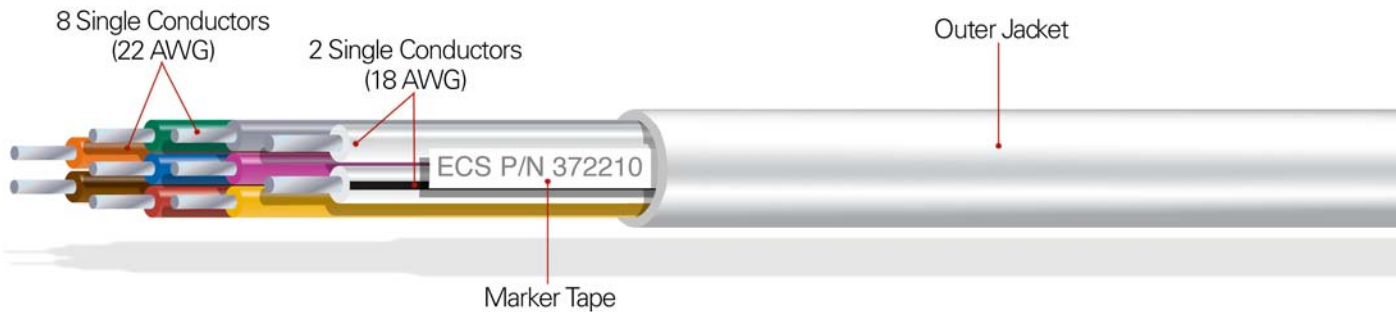




Providing complete avionics installation provisions  
and support for the Aviation industry since 1984.

# 10 Conductor Composite Cable

**P/N 372210**



## **10 Conductors**

### **8 Single Conductors:**

**Conductors:** 22 AWG stranded tin plated copper  
**Insulation:** High temperature fluoropolymer

### **2 Single Conductors:**

**Conductors:** 18 AWG stranded tin plated copper  
**Insulation:** High temperature fluoropolymer

### **Overall Cable:**

**Outer Jacket:** White high temperature fluoropolymer  
(laser markable)

## **Physical Characteristics**

**Outer Diameter:** 0.23 inches nominal

**Bend Radius:** 1.1 inches minimum

**Weight:** 4.6 lbs/100 ft

**Temperature Range:** -55° to +150° C

**Skydrol Resistant:** Yes

## **Applications**

Smoke Detection Equipment

## **Color Code:**

**18 AWG Conductors:** White, White/Black

**22 AWG Conductors:** Red, Green, Brown, Blue, Orange, Yellow, Violet, Grey

## **Environmental:**

- ECS Composite cables are designed to meet, or exceed, burn requirements as set forth in Federal Aviation Regulations 14 CFR Part 25.869(a)(4) Amdt 25-113, Appendix F Part I(a)(3).
- They are manufactured with materials which, when subjected to flames or high temperatures, will not outgas deadly hydrogen chloride produced by conventional PVC cables.

**Cage Code:** 66197 • **Issue Date:** 9/21/09

5300 W. Franklin Drive  
Franklin, Wisconsin 53132 USA

414.421.5300 • 800.327.9473  
sales@ecsdirect.com • www.ecsdirect.com

