

TCAS Antenna Adapter Plates



TCAS Antenna Plate 10548CC-02



TCAS Antenna Plate 200-32228-01

INTRODUCTION

Carlisle Interconnect Technologies (CarlisleIT) produces a wide range of TCAS antenna installation solutions and adapter plates. These adapters are precision machined to provide a clean transition between the flat surface of the TCAS antenna and the curvature of the fuselage. Various styles are available to match different antenna configurations and fuselage radii. In addition to the standard adapter configurations shown here, CarlisleIT's engineering team can provide custom adapters upon request. CarlisleIT has decades of experience developing turnkey antenna installation packages complete with parts kits, installation design engineering, structural substantiation, damage tolerance assessment, DER 8110-3 approvals, instructions for continued airworthiness, and supplemental type certificate application via the FAA or EASA. Please contact us for more information about other existing configurations, which may fit your specific application.

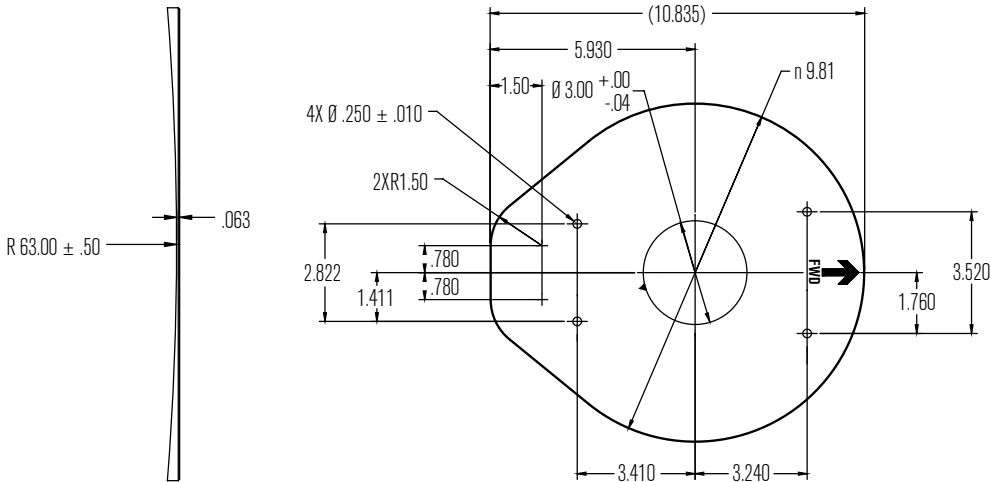
STANDARD PART NUMBERS

CarlisleIT Part Number	Fuselage Radius (Inches)	Finish
200-32228-01	63	MIL-DTL-5541, Type I, Class A and MIL-PRF-23377, Type I, Class 2 primer
200-32229-01	53	

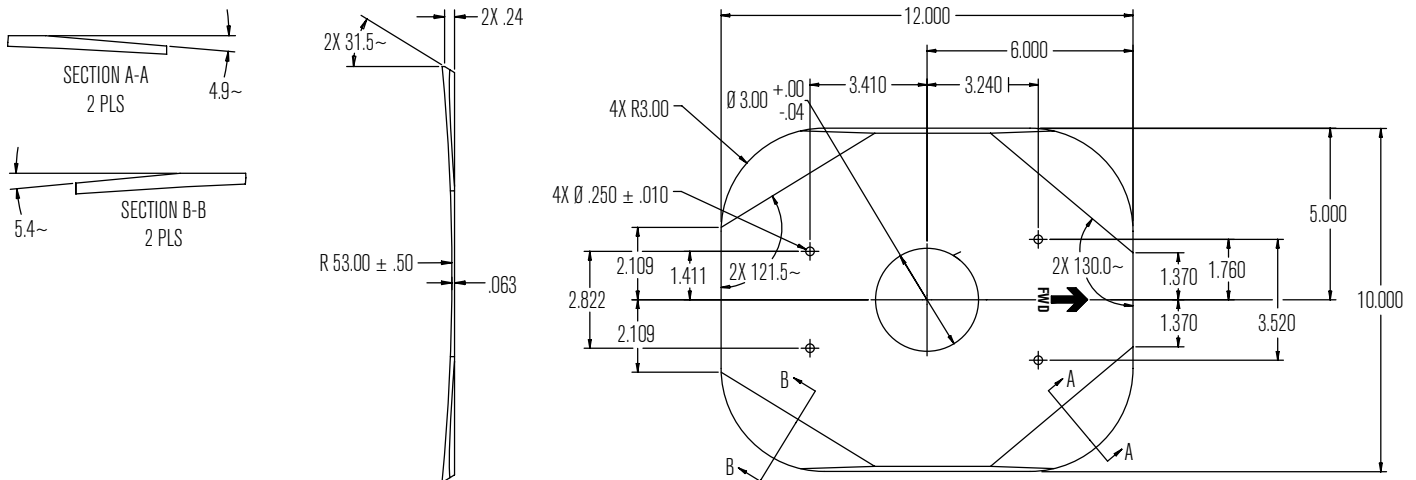
CarlisleIT Part Number	Fuselage Radius (Inches)	Finish
10548CC-01	25	MIL-DTL-5541, Type II, Class 3
10548CC-02	50	
10548CC-03	70	
10548CC-04	40	
10548CC-05	32	

TCAS Antenna Adapter Plates

Part Number 200-32228-01



Part Number 200-32229-01



Part Number 10548CC-XX

