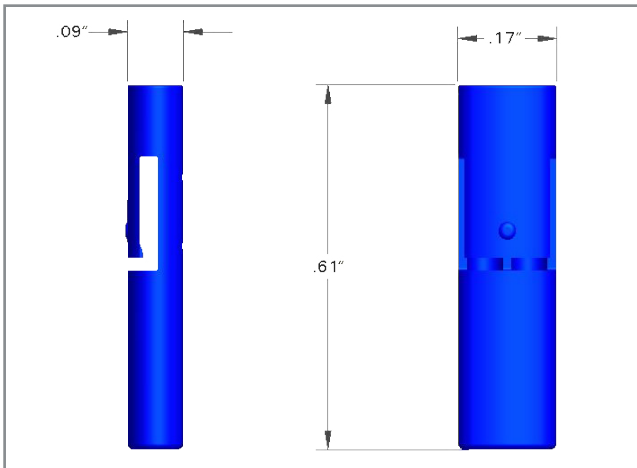
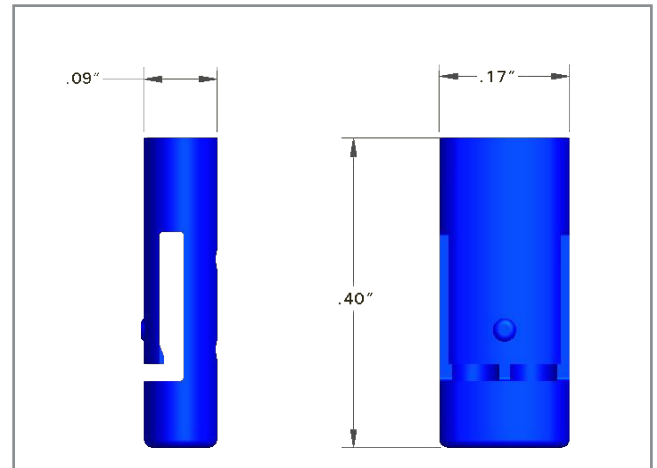


Octax® 38999 Style

Connector Replacement Components



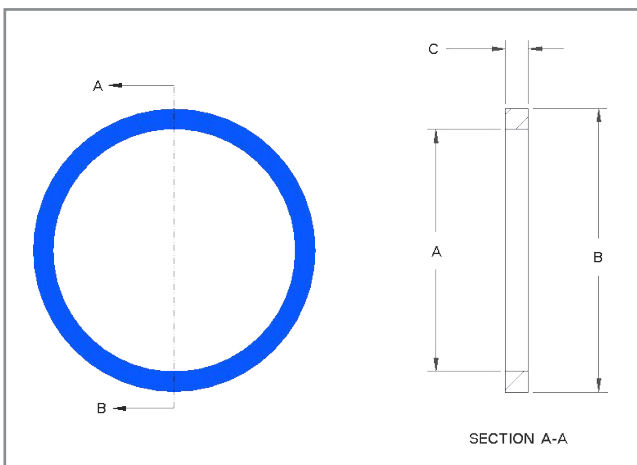
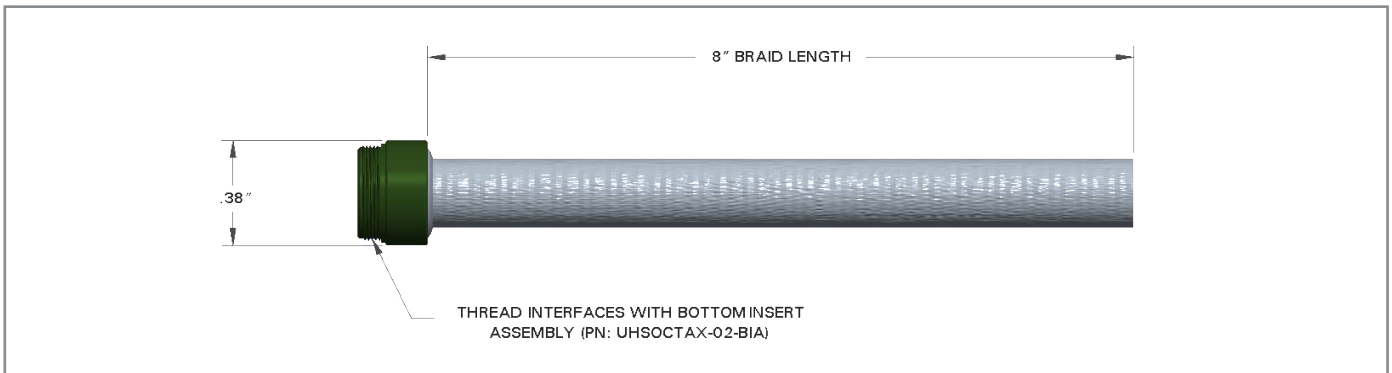
Socket Contact Insulator P/N UHSOCTAX-08P-IP-MOD
 Patented Contact Retention Mechanism
 Accomodates M39029/57-354 Contacts
 Produced from Polyetherimide Material



Socket Contact Insulator P/N UHSOCTAX-08S-IP-MOD
 Patented Contact Retention Mechanism
 Accomodates M39029/58-360 Contacts
 Produced from Polyetherimide Material

Size 11 Braid Assembly P/N HOCTAX3811-02-BSA

Aluminum parts are cadmium plated per AMS-QQ-P-146. Braid Material is P/N AA59569R36T0250



Dimensional Information			
Part Number	A	B	C
HOCTAX3811-02-BIS (Shell Size 25)	.39	.53	.06
HOCTAX3819-04-BIS (Shell Size 19)	.84	.98	.08
HOCTAX3825-08-BIS (Shell Size 11)	1.23	1.37	.08

Bottom Insert Seal

Material is Fluorosilicone PER MIL-R-25988