

INTRODUCTION

Revamp almost any antenna installation using a FlightGear™ Blind Mate Connector and reap the benefits of easy antenna maintenance! This innovative connector product from CarlisleIT provides a number of advantages in Aerospace applications: saves space for new and existing antenna installations, prevents coax cable damage, and allows for quick antenna removal and replacement not possible in typical antenna installations.

By upgrading with a flush mount CarlisleIT Blind Mate Connector and adding an alignment sleeve, the antenna installation is converted into a “plug and play” blind mate antenna installation. This reduces maintenance and eliminates cabin interior disruption.

With a full suite of engineering and manufacturing services, CarlisleIT is capable of supporting any of your system installation and certification requirements, no matter what aircraft you’re flying.

FEATURES & BENEFITS

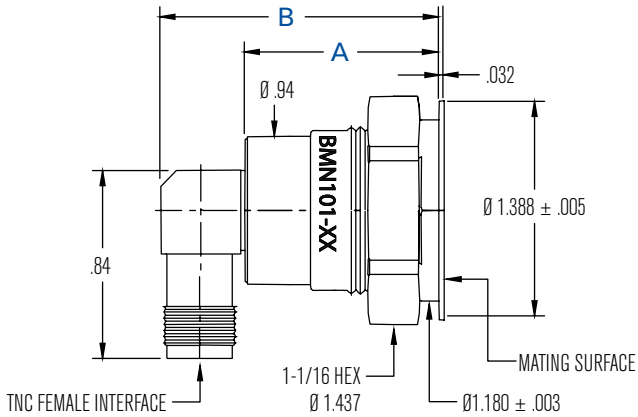
- » Convert antennas into “plug and play” Blind Mate antennas
- » Antenna removal and installation in minutes, not hours
- » No need to gain access beneath floor boards or above ceiling panels
- » Sound proof barrier is not disturbed or compromised during maintenance
- » Ideal for system testing before sending aircraft to paint
- » Easy installation and maintenance
- » Installable in confined spaces
- » Eliminates service loops
- » Reduces coax cable damage and mechanical stress
- » Preserves system performance

SPECIFICATIONS

- » Type N, TNC and BNC
- » Interface compatible with Mil-Std-384A
- » Frequency range: DC to 11 GHz
- » Temperature rating: -65° to +150°

FlightGear™ Blind Mate Antenna Connector

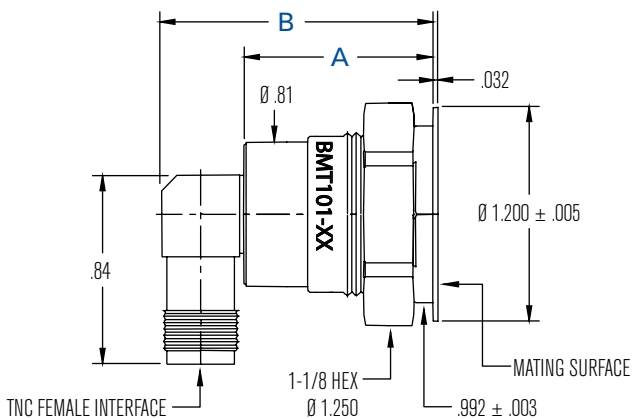
BMN101



Dash Number	Antenna Stub Length	A	B
-01	.400/.520	.93	1.48±.07
-02	.500/.620	1.03	1.58±.07
-03	.600/.720	1.13	1.68±.07
-04	.700/.820	1.23	1.78±.07

Refer to BMN101-I for additional product details.

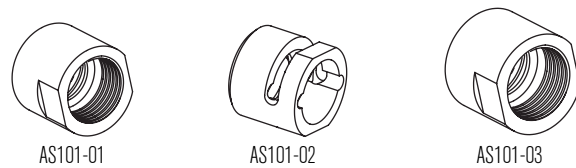
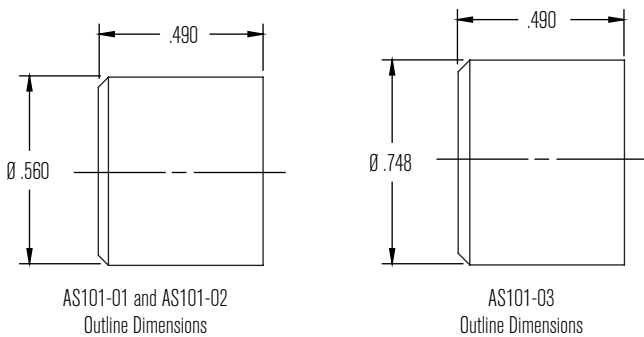
BMT101



Dash Number	Antenna Stub Length	A	B
-01	.400/.520	.93	1.48±.07
-02	.500/.620	1.03	1.58±.07
-03	.600/.720	1.13	1.68±.07
-04	.700/.820	1.23	1.78±.07

Refer to BMT101-I for additional product details.

AS101



P/N	Description	Use With
AS101-01	TNC Alignment Sleeve	BMT101-XX
AS101-02	BNC Alignment Sleeve	BMT101-XX
AS101-03	Type N Alignment Sleeve	BMN101-XX

Refer to AS101-C for additional product details.