

4

3

DWG NO.	565HNS	SHEET	1	REV	A
---------	--------	-------	---	-----	---

1

This print and associated documents and the contained information are the confidential property of ELECTRONIC CABLE SPECIALISTS. Disclosure of, and/or reproduction of, all or part thereof or manufacture of any part from information contained on this print not specifically permitted by ELECTRONIC CABLE SPECIALISTS in writing is forbidden.

CAD GENERATED DOCUMENT

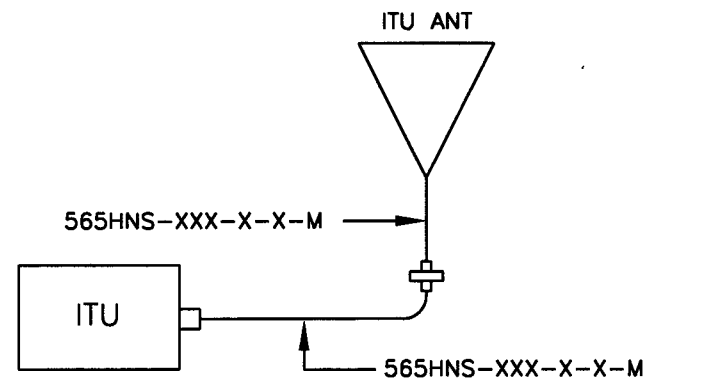
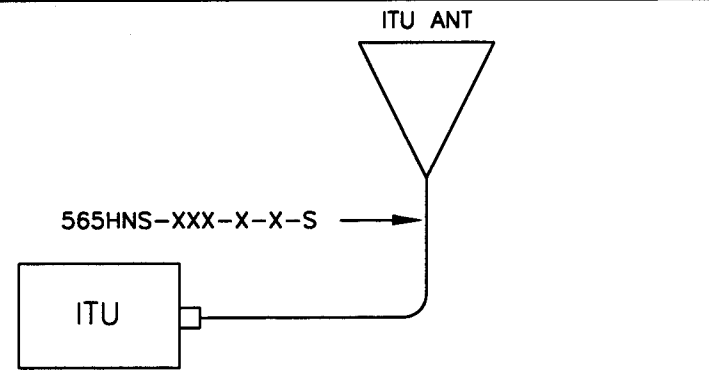
ANY CHANGES TO THIS DOCUMENT
MUST BE SUBMITTED TO THE
DESIGN/DRAFTING DEPARTMENT
FOR PROPER UPDATE

REVISIONS

ECN	ZONE	REV.	BRIEF DESCRIPTION (SEE ECN FOR COMPLETE CHANGE DETAILS)	DATE	APPROVED
7559	A1	N/C	NEW RELEASE	7/7/99	MCT
10230	A1	A	ADD ALTERNATE PART NUMBERS		
10499	A1	A	CHANGE LOSS AND VSWR REQUIREMENTS	12/28/99	CAC

NOTES: UNLESS OTHERWISE SPECIFIED

- 1 LABEL BOTH ENDS OF CABLE.
COVER ALL LABELS WITH CLEAR HEAT SHRINK.
APPLY BLACK ADHESIVE SHRINK TUBING ACCORDING
TO ECS WORK INSTRUCTION WI0007.
2. MARK OUTSIDE OF BOX WITH P.O. #,
SERIAL #, AND CONTENTS DESCRIPTION, I.E...
P.O. # XXXXX
SER # ESXXXX
565HNS-XXX-X-X-X SATCOM RF COAX ANT. CABLE
3. INCLUDE APPROPRIATE TEST DOCUMENTATION WITH EACH CABLE.
4. TEST CABLE WITH MARKER SET AT 1626 MHz.
ATTENUATION: ≤ 1.8 dB FOR ENTIRE ANT. RUN
VSWR: $< 1.3:1$ FOR ENTIRE ANT. RUN.
5. MANUFACTURE CABLE ASSEMBLIES WITHIN TOLERANCE
PER ECS WORK INSTRUCTION WI009.
- 6 BTF101 TO BE ORDERED SEPERATELY.



ALL LENGTHS IN INCHES		ECS ELECTRONIC CABLE SPECIALISTS FRANKLIN, WI 53132 PHONE: (414) 421-5300	
APPROVALS	DATE	TITLE : IRIIDIUM SATCOM ANTENNA RF COAX CABLE ASSEMBLIES	
DRAWN BY: M TAUBENHEIM	09/01/98	SIZE	CAGE CODE
CHECKED BY: C CHAPMAN	07/07/99	B66197	LEVEL
DESIGNED BY:		DWG NO.	565HNS
PROJECT ENG: M TAUBENHEIM	07/07/99	SCALE	SHEET 1 OF 2
ENG. MOD:			

4

3

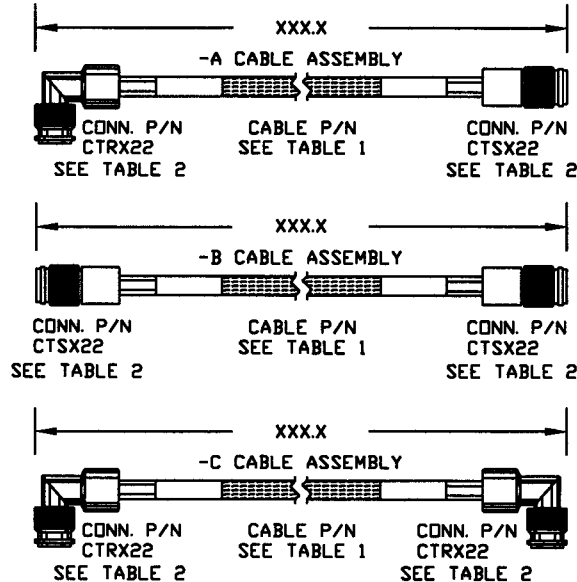
2

1

P/N 565HNS-XXX-X-X-X (ALL LENGTHS IN INCHES)

ASSEMBLY LENGTH
 CABLE TYPE # FROM TABLE 1
 -S OR -M (-S=SINGLE CABLE RUN, -M=MULTIPLE CABLE RUN)
 SEE EXAMPLE BELOW
 CABLE ASSEMBLY CONFIGURATION (-A, -B, -C)

CABLE ASSEMBLY CONFIGURATION



(EXAMPLE : 565HNS-168-4-A-S = 168" ASSEMBLY OF 311601 WITH A CTR922 & CTS922 CONNECTOR AND ONLY ONE ANT. CABLE REQUIRED FOR ENTIRE ANT. RUN.

-S = ITU _____ ITU ANT. 1.8 dB MAX/TOTAL RUN

-M = ITU _____ ITU ANT. 1.8 dB MAX/TOTAL RUN
 BTF101 (F/F TNC BLKHD FEEDTHRU)

CABLE LABELING

P/N 565HNS-XXX-X-X-X
 SER# ESXXXX
 ITU ANT.

TABLE 1 (ECS COAX CABLE)

#	ECS P/N	DESCRIPTION
7	310801	50 OHM COAX, .053 dB/FT @ 1.6 GHz.
6	311201	50 OHM COAX, .077 dB/FT @ 1.6 GHz.
5	311501	50 OHM COAX, .100 dB/FT @ 1.6 GHz.
4	311601	50 OHM COAX, .120 dB/FT @ 1.6 GHz.
3	352001*	50 OHM COAX, .157 dB/FT @ 1.6 GHz.
2	311901	50 OHM COAX, .157 dB/FT @ 1.6 GHz.
1	3C142B	50 OHM COAX, .200 dB/FT @ 1.6 GHz.

TABLE 2 (ECS COAX CONNECTORS)

#	ECS P/N	DESCRIPTION
11	BTF101	ADAPTER, BLKHD, TNC, F/F
10	CTR022	CONN.,TNC, 90 DEG. FOR 310801
9	CTS022	CONN.,TNC, 180 DEG. FOR 310801
8	CTR122	CONN.,TNC, 90 DEG. FOR 311201
7	CTS122	CONN.,TNC, 180 DEG. FOR 311201
6	CTR922	CONN.,TNC, 90 DEG. FOR 311601,311501
5	CTS922	CONN.,TNC, 180 DEG. FOR 311601,311501
4	CTR3522	CONN.,TNC, 90 DEG. FOR 352001
3	CTS3522	CONN.,TNC, 180 DEG. FOR 352001
2	CTR722	CONN.,TNC, 90 DEG. FOR 3C142B,311901
1	CTS722	CONN.,TNC, 180 DEG. FOR 3C142B,311901

* 352001 COAX CABLE IS SUPERFLEXIBLE, LIGHTWEIGHT CABLE WITH SLIGHTLY HIGHER COST THAN CABLE 311901.

NOTES: SEE SHEET 1

ECS ELECTRONIC CABLE SPECIALISTS			
FRANKLIN, WI 53132			
PHONE: (414) 421-5300			
DATE	CHG CODE	LEVEL	DWG NO.
C	66197		565HNS
SOLD		EFFECTIVITY	SHEET 2 OF 2