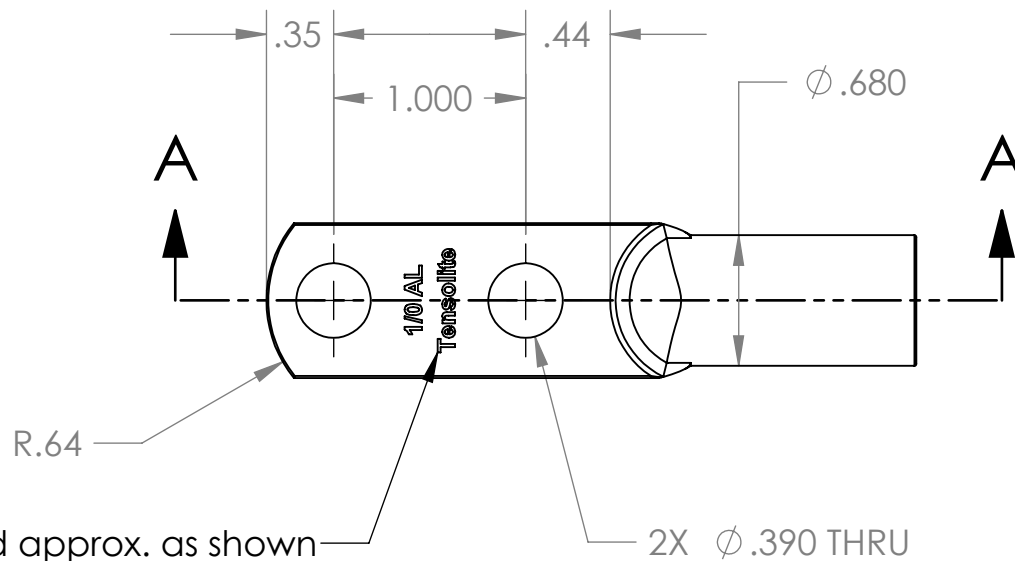
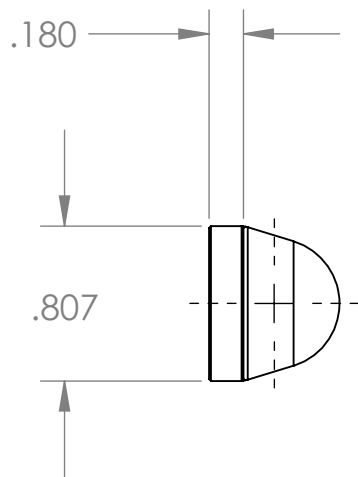


SECTION A-A



Legend approx. as shown

MAT'L CODE	MATERIAL DESCRIPTION	FIN CODE	FINISH DESCRIPTION	REV	E.C.O. NO.	DATE	APPR	DRAW	ENG.	DESCRIPTION	PG. 1 OF 1
	ALUMINUM		TIN							DESIGN, CONFIGURATION AND MECHANICAL FEATURES REVEALED ON THIS DRAWING ARE THE SOLE PROPERTY OF TENSOLITE A CARLISLE COMPANY AND ARE NOT TO BE DISCLOSED TO OTHER PARTIES WITHOUT EXPRESS CONSENT AND APPROVAL OF TENSOLITE.  <b>Tensolite</b> A CARLISLE Company 100 Tensolite Dr. St. Augustine Fl. 32092	
				IR	ORIGINATED	1/15/2016	MB	WLA	03/10/10		FSCM. 92607
								D.C.C.	03/10/10		

DIMENSIONS IN INCHES  
 THIRD ANGLE PROJECTION  
 TOLERANCES UNLESS OTHERWISE SPECIFIED  
 ANGLES ±2°  
 WHOLE NUMBERS  
 .XX DECIMALS ±.02  
 .XXX DECIMALS ±.005  
 .XXXX DECIMALS ±.0015