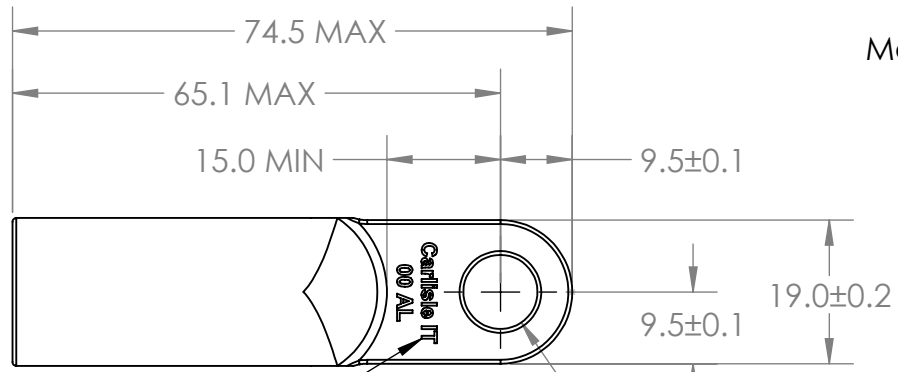
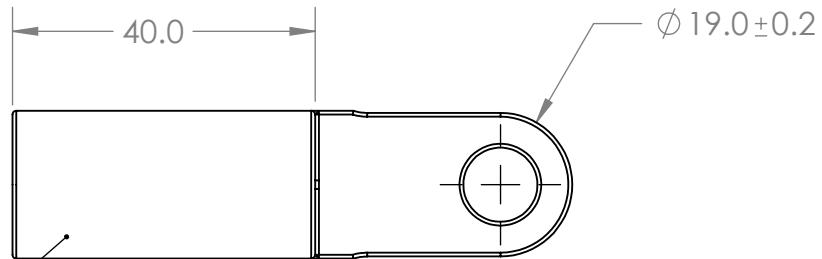
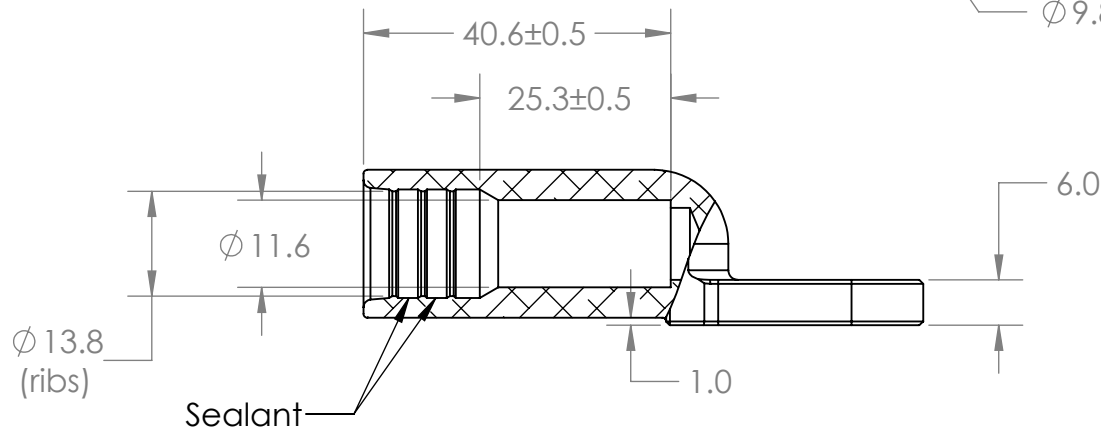
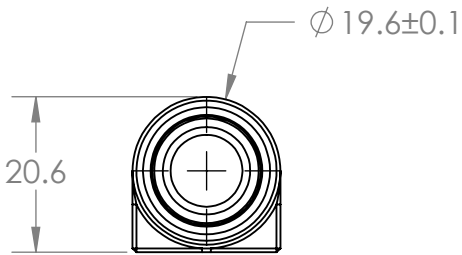


Mass = 31g Max



Legend Approx as shown

Ø 9.8±0.2



Dielectric Coating

NOTE:  
1. This Aluminum lug is terminated by CIT Crimp Die P/N 999-63008-200.

| MAT'L CODE | MATERIAL DESCRIPTION | FIN CODE | FINISH DESCRIPTION | REV | E.C.O. NO. | DATE      | APPR | DRAW | ENG.       | DESCRIPTION  | PG. 1 OF 1                    |
|------------|----------------------|----------|--------------------|-----|------------|-----------|------|------|------------|--|-------------------------------|
|            | ALUMINUM             |          | NICKEL             |     |            |           |      |      |            | DESIGN, CONFIGURATION AND MECHANICAL FEATURES REVEALED ON THIS DRAWING ARE THE SOLE PROPERTY OF TENSOLITE A CARLISLE COMPANY AND ARE NOT TO BE DISCLOSED TO OTHER PARTIES WITHOUT EXPRESS CONSENT AND APPROVAL OF TENSOLITE. |                               |
|            |                      |          |                    | IR  | ORIGINATED | 2/25/2016 | MB   | WLA  | 09/10/2014 | <b>Tensolite</b><br>A CARLISLE Company<br>100 Tensolite Dr.<br>St. Augustine Fl. 32092   | FSCM. 92607 NO. 695-18107-001 |

DIMENSIONS IN INCHES  
THIRD ANGLE PROJECTION  
TOLERANCES UNLESS OTHERWISE SPECIFIED  
ANGLES ±2°  
WHOLE NUMBERS ±0.5  
One Place Decimals ±0.25  
Two Place Decimals ±0.10