

This print and associated documents and the contained information are the confidential property of ELECTRONIC CABLE SPECIALISTS. Disclosure of, and/or reproduction of, all or part thereof or manufacture of any part from information contained on this print not specifically permitted by ELECTRONIC CABLE SPECIALISTS in writing is forbidden.

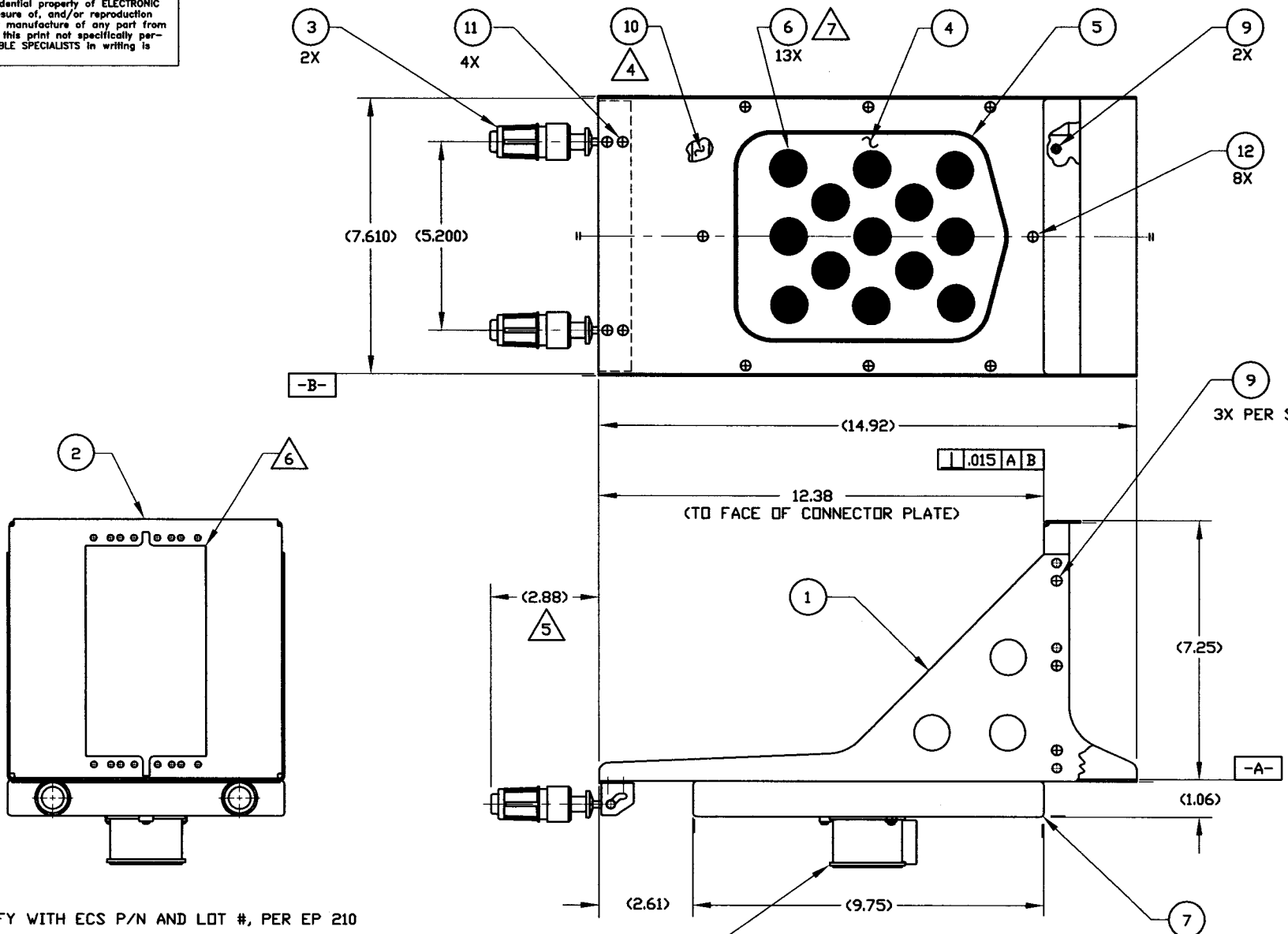
REVISIONS				DATE	APPROVED
4612		N/C	RELEASED FOR FULL PRODUCTION	KPS 11/5/96	K RAIHALA
9824		A	ADDED NOTE 9	PS 10/8/99	L. HECKEL
13393		B	ITEM 9 QTY WAS 16	MJP 3/14/01	M. Goskowiak

D

C

B

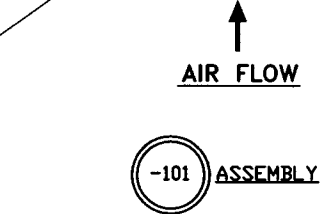
A



9. IDENTIFY WITH ECS P/N AND LOT #, PER EP 210
- △ 8. ALTERNATE PART NO. DOW CORNING P/N RTV-732CLR.
- △ 7. REMOVE ALL (13) PLUGS FROM TRAY AT TIME OF INSTALLATION.
- △ 6. UNIVERSAL CONNECTOR CUT-OUT FOR ARINC ARINC 600, SIZE 1,2 OR 3.
- △ 5. MAXIMUM EXTENSION WHEN LRU IS SECURELY FASTENED TO TRAY ASSEMBLY.
- △ 4. APPLY (10) AROUND SCREW HOLES AND CONTACT SURFACES AT ASSEMBLY TO PROVIDE A SEAL BETWEEN (1) & (7).
- △ 3. FINISH: (CLEAR CHEM FILM PER MIL-C-5541, CLASS 3).

2. DESIGNED TO MEET THE APPLICABLE REQUIREMENTS OF THE FOLLOWING:
  - A. ARINC 600-9: 6 MCU, LEVEL 1 COOLING  
EXCEPTIONS & LIMITATIONS TO ARINC 600-9:
    1. MAXIMUM STEADY-STATE HEAT DISSIPATION: 130-200W
  - B. ENVIRONMENTAL CONDITIONS RTCA/DO-160C ENV. CAT. D2-BABXXXXXXXXXXXXXXXXXX  
EXCEPTIONS & LIMITATIONS TO RTCA/DO-160C
    1. MAX. OPERATING ALTITUDE: 51,000 ft
    2. MAX. COOLANT AIR BULK INLET TEMP AT 51,000 ft: 10°C
    3. NOT RECOMMENDED FOR INSTALLATION IN PRESSURIZED AREAS.

1. DIMENSIONS AND TOLERANCES PER ANSI Y14.5M-1982.  
NOTES: UNLESS OTHERWISE SPECIFIED



QTY REQ'D	QTY REQ'D	COMPONENTS PART NO. OR IDENTIFYING NO.	NOMENCLATURE OR DESCRIPTION	MATERIAL/SPECIFICATION	CAGE CODE	ITEM NO.
8		MS24693-C24	SCREW, FLAT HEAD	(#6-32 X .25 LONG)		12
4		MS24693-C25	SCREW, FLAT HEAD	(#6-32 X .31 LONG)		11
△ 8	A/R	DOW CORNING RTV 3145	ADHESIVE SEALANT CLEAR	(SILICONE RUBBER)	71984	10
8		MS24693-C26	SCREW, FLAT HEAD	(.138-32 X .38 LONG)		9
1		S0085-109	FAN ASSY, AC			8
△ 3	1	S0109CC-106	PLENUM ASSY, 6 MCU	(.040 AL ALLOY 6061)		7
13		10736-01	PLUG BUMPER	(RUBBER)		6
1		10016-106	DEFORMATION SEAL ASSY, 6 MCU	(SILICONE RUBBER)		5
△ 3	1	10024CC-01	METERING PLATE, 6 MCU	(.040 AL ALLOY 5052 OR 6061)		4
2		10344-101	HOLD DOWN, FRONT INSERTION/EXTRACTION			3
△ 3	1	10018CC-108	CONNECTOR PLATE ASSY, 6 MCU	(.063 AL ALLOY 6061)		2
1		S0082CC-106	TRAY WELDING ASSY, 6 MCU	(.063 AL ALLOY 6061)		1

<b>THIRD ANGLE PROJECTION</b> 		WEIGHTS 2.7 lbs STRESS		UNLESS OTHERWISE SPECIFIED DIMENSIONS ARE IN INCHES TOLERANCES ARE: FRACTIONS ± .005 DECIMALS .01 ± .003 .001 ± .010 DO NOT SCALE DRAWING		CONTRACT NO. DRAWN K. SOMMERS DATE 9/17/96 CHECKED K. RAIHALA DATE 11/5/96 DESIGNED K. RAIHALA DATE 11/5/96 PROJECT K. RAIHALA DATE 11/5/96 MANUFACTURING DATE ENGINEERING T. ANTCAK DATE 11/5/96		ELECTRONIC CABLE SPECIALISTS FRANKLIN, WI 53132 PHONE: (414) 421-5300	
CAD GENERATED DOCUMENT ANY CHANGES TO THIS DOCUMENT MUST BE SUBMITTED TO THE DESIGN/DRAFTING DEPARTMENT FOR PROPER UPDATE		-101 1 FINAL 95-1269 PRODUCTION		QUALITY ASSURANCE		SCALE 1/2 EFFECTIVITY:		TITLE TRAY ASSY, 6 MCU S/S WITH BOTTOM HIGH ALTITUDE FAN SIZE D 66197 C/A 6283 SHEET 1 of 1	

D

C

B

A