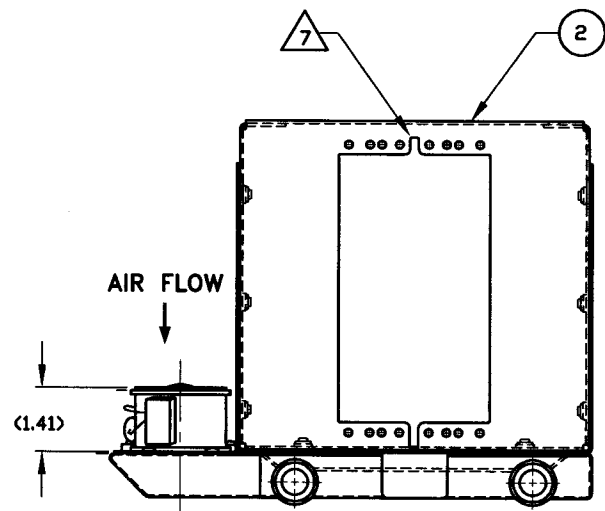
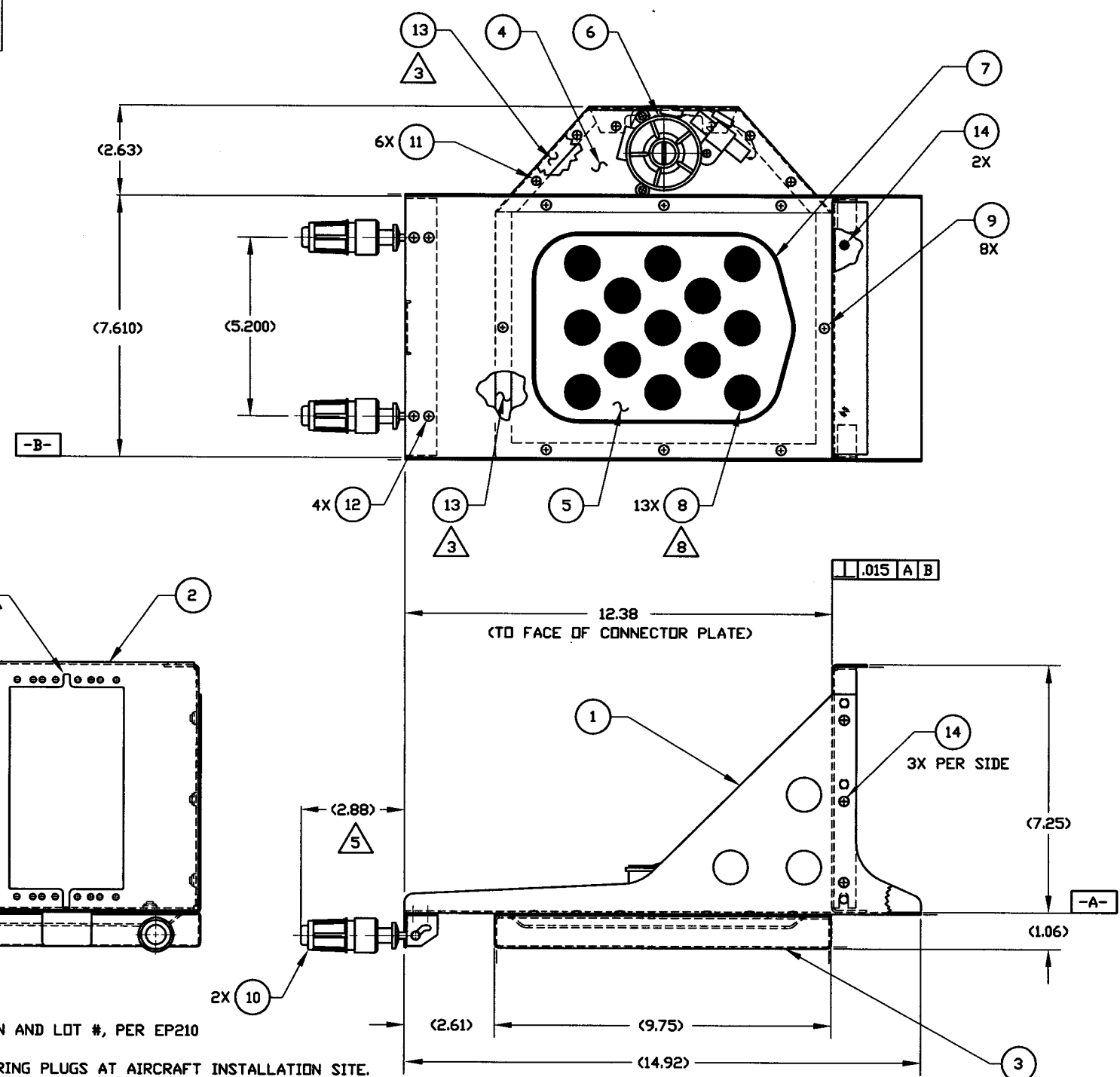


This print and associated documents and the contained information are the confidential property of ELECTRONIC CABLE SPECIALISTS. Disclosure of, and/or reproduction of, all of part thereof or manufacture of any part from information contained on this print not specifically permitted by ELECTRONIC CABLE SPECIALISTS in writing is forbidden.

REVISIONS						
ECN	SHT.	ZONE	REV.	DESCRIPTION	DATE	APPROVED
3557			N/C	RELEASED	11/1/95	K RAIHALA
3621		P/L	A	ITEM 14, ADDED ITEM 9 QTY, CHANGED ITEM 11 PART NO, CHANGED	SHK 12/13/95	K RAIHALA
9824			B	ADDED NOTE 9	JTS	
11260		P/L	C	CHGD ITEM 4 P/N WAS S0105-102	JTS 7/21/00	B. Mathew



- 9. IDENTIFY WITH ECS P/N AND LOT #, PER EP210
- 8. REMOVE ALL (13) METERING PLUGS AT AIRCRAFT INSTALLATION SITE.
- 7. UNIVERSAL CONNECTOR CUTOUT PER ARINC 600, SIZE 1, 2 OR 3.
- 6. ALTERNATE PART NO. DOW CORNING P/N RTV-732CLR.
- 5. MAXIMUM EXTENSION WHEN LRU IS SECURELY FASTENED TO TRAY ASSEMBLY.
- 4. APPLY (13) AROUND SCREW HOLES & CONTACT SURFACES AT ASSEMBLY TO PROVIDE A SEAL BETWEEN (1)/(4) & (3).
- 3. FINISH: (CLEAR CHEM FILM PER MIL-C-5541, CLASS 3).

- 2. DESIGNED TO MEET THE APPLICABLE REQUIREMENTS OF THE FOLLOWING:
 - A: ARINC 600-9: 6 MCU,
 - B: RTCA/DO-160C ENV. CAT. A1-BABXXXXXXXXXXXXXXXXXX
- 1. DIMENSIONS AND TOLERANCES PER ANSI Y14.5M-1982.

NOTES: UNLESS OTHERWISE SPECIFIED

QTY REQ'D	QTY REQ'D	COMPONENTS PART NO. OR IDENTIFYING NO.	NOMENCLATURE OR DESCRIPTION	MATERIAL/SPECIFICATION	CAGE CODE	ITEM NO.
		8	MS24693-C26	SCREW, FLAT HEAD		14
		A/R	DOW CORNING RTV 3145, CLR	SEALANT, ADHESIVE		13
		4	MS24693-C25	SCREW, FLAT HEAD		12
		6	MS51957-26	SCREW, PAN HEAD		11
		2	10344-101	HOLD DOWN ASSY, INSERTION/EXTRACTION		10
		8	MS24693-C24	SCREW, FLAT HEAD		9
		13	10736-01	PLUG BUMPER		8
		1	10016-106	DEFORMATION SEAL ASSY, 6 MCU		7
		1	S0085-109	FAN ASSEMBLY, AC		6
		1	10024CC-01	METERING PLATE, 6 MCU		5
		1	S0105CC-102	COVER ASSY, PLENUM		4
		1	S0164-306	PLENUM ASSY, 6 MCU		3
		1	10018CC-108	CONNECTOR PLATE ASSY, 6 MCU		2
		1	S0082CC-106	TRAY WELDING ASSY, 6 MCU		1

THIRD ANGLE PROJECTION 		WEIGHTS STRESS		UNLESS OTHERWISE SPECIFIED DIMENSIONS ARE IN INCHES TOLERANCES ARE: FRACTIONS DECIMALS ANGULAR ± .005 ± .003 ± 1° ± .010 ± .010 ± 1° DO NOT SCALE DRAWING		CONTRACT NO. DRAWN: S KANTORSKI 11/1/95 CHECKED: K RAIHALA 11/1/95 DESIGNED: K RAIHALA 11/1/95 PROJECT: K RAIHALA 11/1/95 MANUFACTURING: K RAIHALA 11/1/95 ENGINEERING: T ANTICZAK 11/1/95		ELECTRONIC CABLE SPECIALISTS FRANKLIN, WI 53132 PHONE: (414) 421-9300	
CAD GENERATED DOCUMENT ANY CHANGES TO THIS DOCUMENT MUST BE SUBMITTED TO THE DESIGN/DRAFTING DEPARTMENT FOR PROPER UPDATE		-101 1 FINAL 95-0000		PRODUCTION QUALITY ASSURANCE		TITLE TRAY ASSEMBLY, 6 MCU S/S W/ LEFT SIDE AC FAN		SCALE 1/2 SHEET 1 OF 1	