

This print and associated documents and the contained information are the confidential property of ELECTRONIC CABLE SPECIALISTS. Disclosure of, and/or reproduction of, all or part thereof or manufacture of any part from information contained on this print not specifically permitted by ELECTRONIC CABLE SPECIALISTS in writing is forbidden.

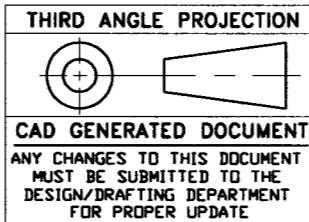
DWG NO. 6050-101 SH 1 REV. P

REVISIONS						
ECN	SHT.	ZONE	REV.	BRIEF DESCRIPTION (SEE ECN FOR FULL DESCRIPTION)	DATE	APPROVED
10414			P	RELEASED FOR FULL PRODUCTION	12/9/99	<i>[Signature]</i>

QTY REQ'D	COMPONENTS PART NO. OR IDENTIFYING NO.	NOMENCLATURE OR DESCRIPTION	MATERIAL/SPECIFICATION	CAGE CODE	ITEM NO.
8	MS24693-C24	SCREW, FLAT HEAD	(#6-32 X .25 LONG)		12
8	MS24693-C26	SCREW, FLAT HEAD	(#6-32 X .38 LONG)		11
7/3	A/R DOW CORNING RTV-3145	ADHESIVE SEALANT CLEAR	(SILICONE RUBBER)	71984	10
4	MS24693-C25	SCREW, FLAT HEAD	(#6-32 X .31 LONG)		9
1	S0085-101	FAN ASSY, AC			8
2	1	S0109CC-104	PLENUM ASSY, 4 MCU	(.040 AL ALLOY 6061)	7
10	10736-01	PLUG BUMPER	(RUBBER)		6
1	10016-104	DEFORMATION SEAL ASSY, 4 MCU	(SILICONE RUBBER)		5
2	1	10025CC-01	METERING PLATE, 4 MCU	(.040 AL ALLOY 5052 OR 6061)	4
2	10344-101	HOLD DOWN, FRONT INSERTION/EXTRACTION			3
2	1	10018CC-106	CONNECTOR PLATE ASSY, 4 MCU	(.063 AL ALLOY 6061)	2
2	1	S0082CC-104	TRAY WELDING ASSY, 4 MCU	(.063 AL ALLOY 6061)	1

9. IDENTIFY WITH ECS P/N AND LOT # PER EP 210
8. REMOVE ALL (10) PLUGS FROM TRAY AT TIME OF INSTALLATION.
7. ALTERNATE PART NO.: DOW CORNING P/N RTV-732CLR.
6. UNIVERSAL CONNECTOR CUT-OUT FOR ARINC 600 SIZE 1, 2 OR 3.
5. MAXIMUM EXTENSION WHEN LRU IS SECURELY FASTENED TO TRAY ASSEMBLY.
4. DESIGNED TO MEET THE APPLICABLE REQUIREMENTS OF THE FOLLOWING:
 - A. ARINC 600: 4 MCU, LEVEL 1 COOLING
 - B. RTCA/DO-160C ENV. CAT. A1-BABXXXXXXXXXXXXXXXXXX
3. APPLY (10) AROUND SCREW HOLES AND CONTACT SURFACES AT ASSEMBLY TO PROVIDE A SEAL BETWEEN (1)/(7).
2. FINISH: (CLEAR CHEM FILM PER MIL-C-5541, CLASS 3).
1. DIMENSIONS AND TOLERANCES PER ANSI Y14.5M-1982.

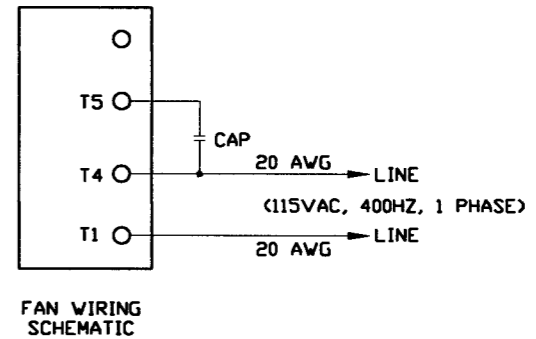
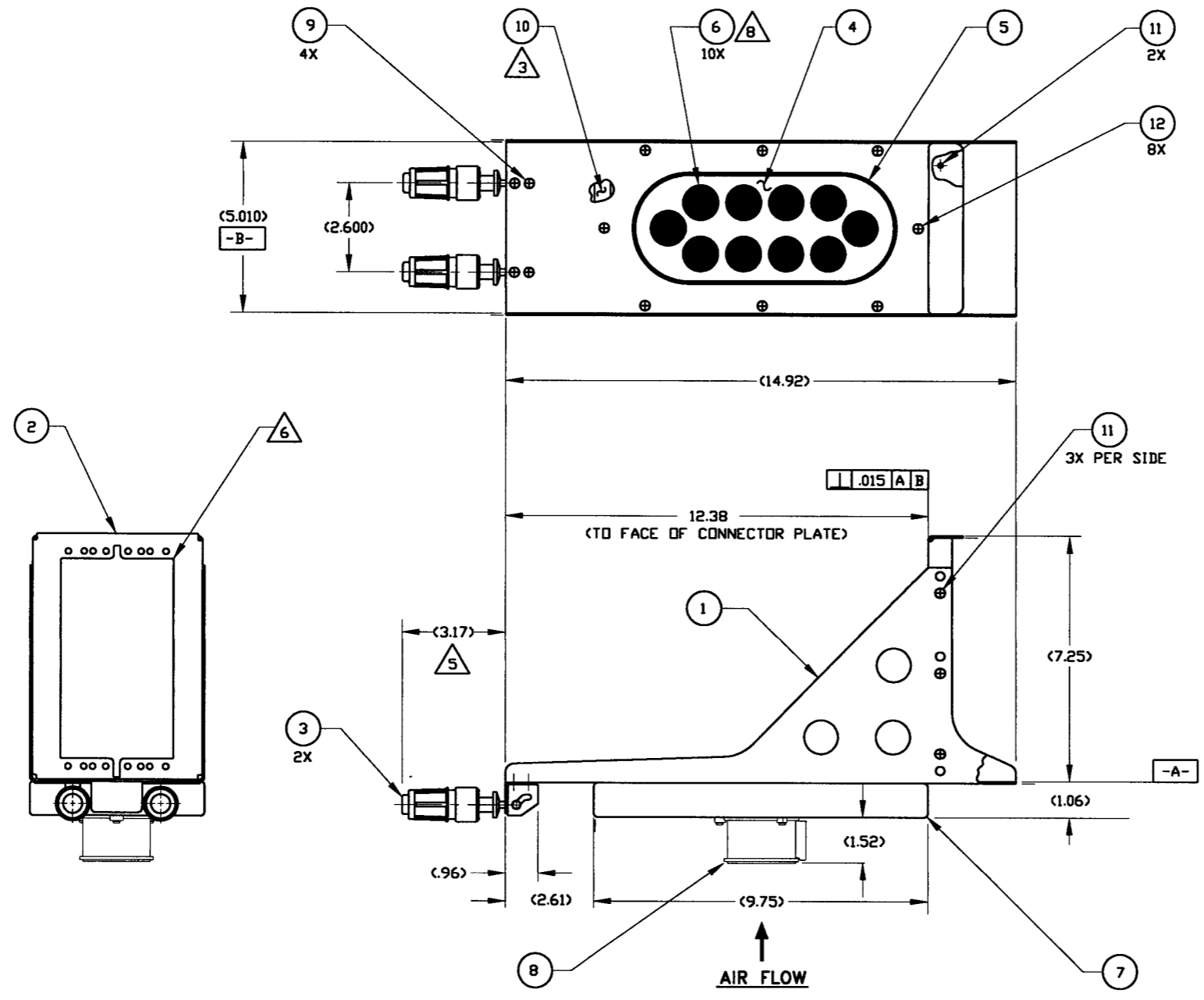
NOTES: UNLESS OTHERWISE SPECIFIED



CAD GENERATED DOCUMENT		UNLESS OTHERWISE SPECIFIED DIMENSIONS ARE IN INCHES TOLERANCES ARE:		CONTRACT NO.		ELECTRONIC CABLE SPECIALISTS	
ANY CHANGES TO THIS DOCUMENT MUST BE SUBMITTED TO THE DESIGN/DRAFTING DEPARTMENT FOR PROPER UPDATE		FRACTIONS ±		DRAWN BY J. SHAW		FRANKLIN, WI 53132	
-101		DECIMALS .00 ± .03		DATE 12/8/99		PHONE: (414) 421-5300	
1		ANGULAR ± 1'		CHECKED BY <i>[Signature]</i>		TITLE TRAY ASSY, 4 MCU S/S WITH BOTTOM FAN	
FINAL		DO NOT SCALE DRAWING		DATE 12/9/99		SIZE D 66197 C/A	
PART/ASSY DASH NO.		TREATMENT		DESIGNED BY <i>[Signature]</i>		LEVEL C/A	
QTY REQ'D		FINISH		PROJECT ENGR		DWG NO. 6050-101	
NEXT/FINAL DWG		PRODUCTION		DATE		SCALE 1/2	
PROJECT NO.		QUALITY ASSURANCE		DATE 12/9/99		SHEET 1 OF 2	
APPLICATION		ADDITIONAL APPROVALS		DATE			
		ACT. WT 22 LBS					

DWG NO.	6050-101	SH	2	REV.	P	1
REVISIONS						
ZONE	REV.	DESCRIPTION	DATE	APPROVED		
	P	SEE SHEET 1				

This print and associated documents and the contained information are the confidential property of ELECTRONIC CABLE SPECIALISTS. Disclosure of, and/or reproduction of, all or part thereof or manufacture of any part from information contained on this print not specifically permitted by ELECTRONIC CABLE SPECIALISTS in writing is forbidden.



-101 ASSEMBLY

NOTES: SEE SHEET 1

THIRD ANGLE PROJECTION	CAD GENERATED DOCUMENT	ELECTRONIC CABLE SPECIALISTS FRANKLIN, WI 53132 PHONE: (414) 421-5300	
ANY CHANGES TO THIS DOCUMENT MUST BE SUBMITTED TO THE DESIGN/DRAFTING DEPARTMENT FOR PROPER UPDATE	SIZE D	CAD CODE 66197	LEVEL C/A
	SCALE 1/2	DWG NO. 6050-101	SHEET 2 of 2