

This print and associated documents and the contained information are the confidential property of ELECTRONIC CABLE SPECIALISTS. Disclosure of, and/or reproduction of, all or part thereof or manufacture of any part from information contained on this print not specifically permitted by ELECTRONIC CABLE SPECIALISTS in writing is forbidden.

Table with columns: ECN, SHT., ZONE, REV., BRIEF DESCRIPTION (SEE ECN FOR FULL DESCRIPTION), DATE, APPROVED. Includes revision history for items 3225, 3237, 3595, 3636, 4421, and 9824.

12. IDENTIFY WITH ECS P/N AND LOT#, PER EP210.

11. PART NUMBER FOR THIS ASSY IS 6049.

10. REMOVE ALL METERING PLUGS (10) AT AIRCRAFT INSTALLATION SITE.

9. UNIVERSAL CONNECTOR CUT-OUT FOR ARINC 600; SIZE 1, 2 OR 3.

8. MAXIMUM EXTENSION WHEN LRU IS SECURELY FASTENED TO TRAY ASSEMBLY.

7. ALTERNATE PART NO.: DOW CORNING P/N RTV-732CLR.

6. -DELETED-

5. DESIGNED TO MEET THE APPLICABLE REQUIREMENTS OF THE FOLLOWING: A: ARINC 600-9: 4 MCU, B: RTCA/DD-160C ENV. CAT. A1-BABXXXXXXXXXXXXXXXXXX

4. ALTERNATE PART NO.: RAM P/N CA12145-102.

3. APPLY (10) AROUND SCREW HOLES & CONTACT SURFACES AT ASSEMBLY TO PROVIDE A SEAL BETWEEN (1)/(14), (11) & (4).

2. FINISH: (CLEAR CHEM FILM PER MIL-C-5541, CLASS 3).

1. DIMENSIONS AND TOLERANCES PER ANSI Y14.5M-1982.

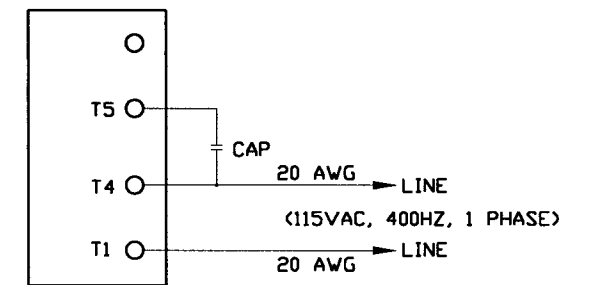
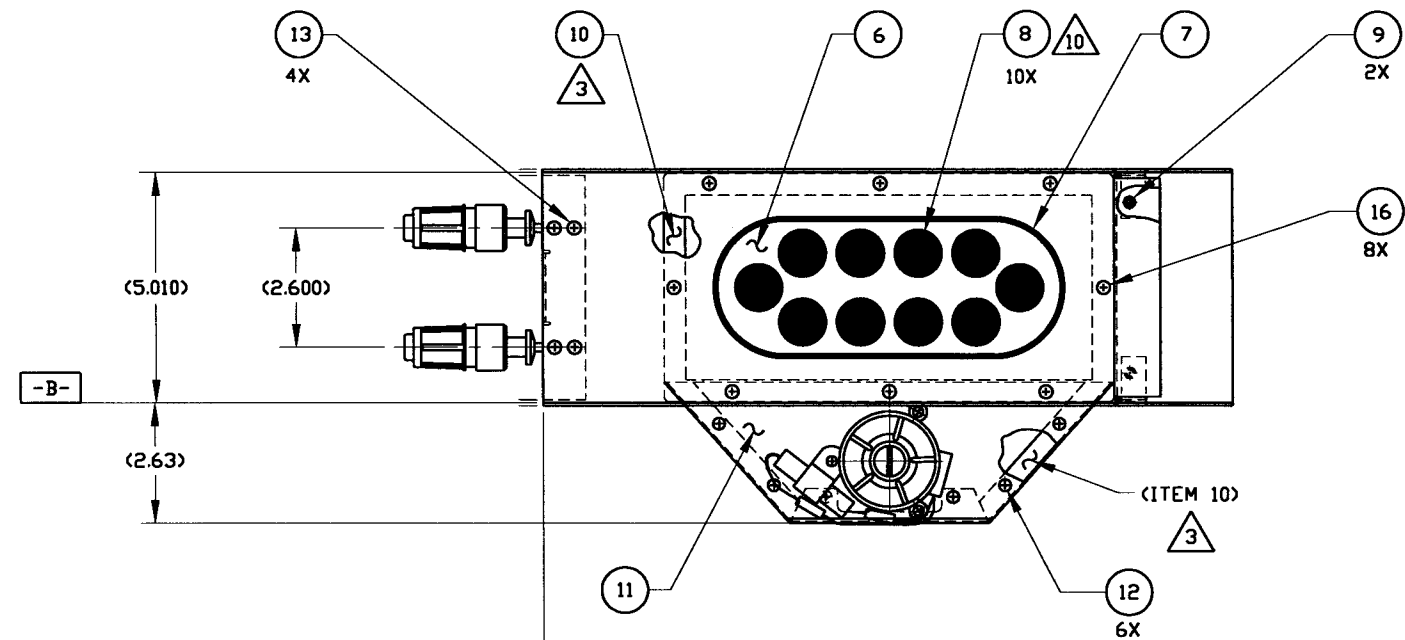
NOTES: UNLESS OTHERWISE SPECIFIED

Main parts list table with columns: QTY REQ'D, QTY REQ'D, QTY REQ'D, QTY REQ'D, QTY REQ'D, QTY REQ'D, QTY REQ'D, COMPONENTS PART NO. OR IDENTIFYING NO., NOMENCLATURE OR DESCRIPTION, MATERIAL/SPECIFICATION, CASE CODE, ITEM NO.

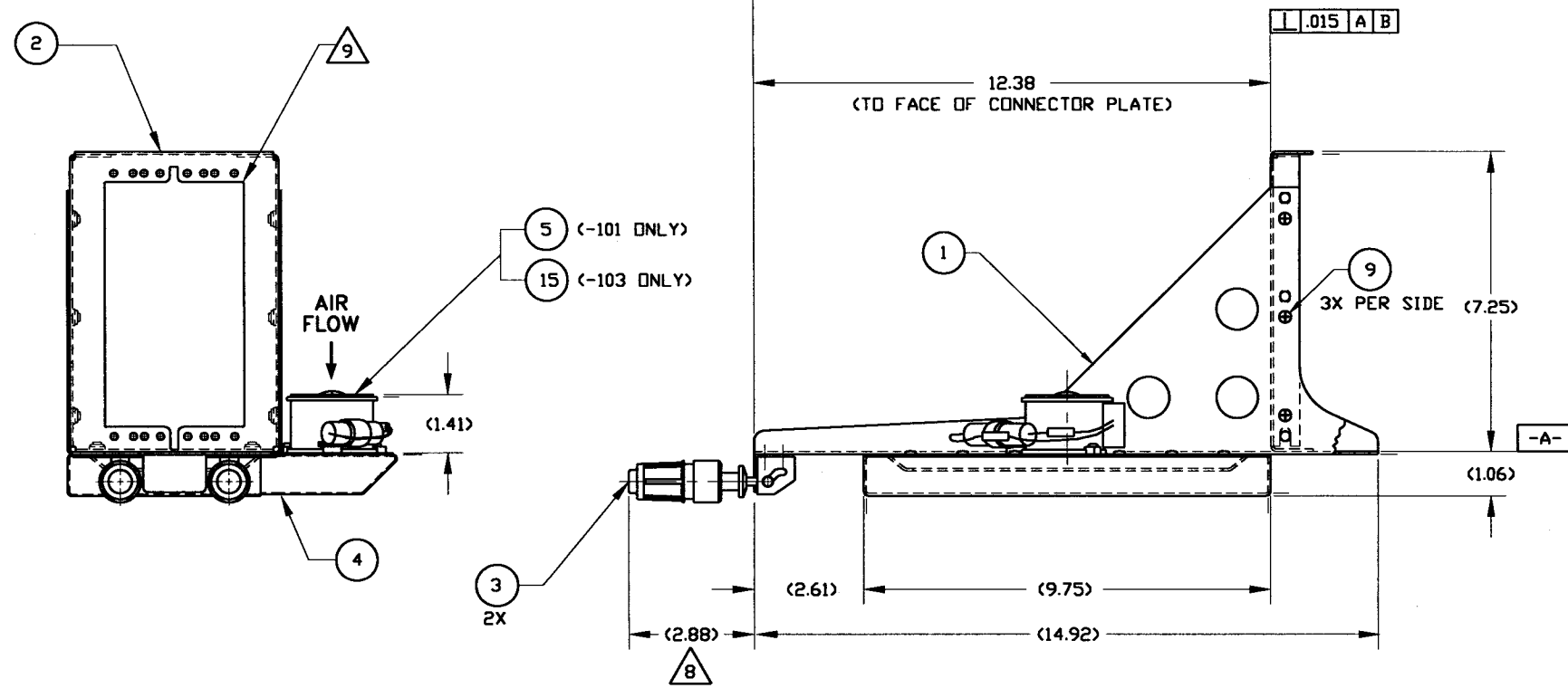
Engineering drawing footer containing: THIRD ANGLE PROJECTION, CAD GENERATED DOCUMENT, DIMENSIONS AND TOLERANCES PER ANSI Y14.5M-1982, CONTRACT NO., DRAWN, CHECKED, DESIGNED, PROJECT, MANUFACTURING, DATE, SCALE, EFFECTIVITY, SHEET 1 of 5.

This print and associated documents and the contained information are the confidential property of ELECTRONIC CABLE SPECIALISTS. Disclosure of, and/or reproduction of, all or part thereof or manufacture of any part from information contained on this print not specifically permitted by ELECTRONIC CABLE SPECIALISTS in writing is forbidden.

DWG NO.	6049	SH	2	REV.	K	1
REVISIONS						
ZONE	REV.	DESCRIPTION	DATE	APPROVED		
K		SEE SHEET 1				

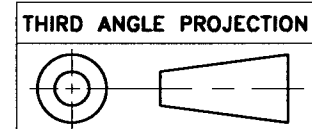


FAN MOTOR WIRE TERMINATION DIAGRAM  
-101 ASSY ONLY



(-101) & (-103) ASSEMBLY

NOTES: SEE SHEET 1



THIRD ANGLE PROJECTION  
CAD GENERATED DOCUMENT  
ANY CHANGES TO THIS DOCUMENT MUST BE SUBMITTED TO THE DESIGN/DRAFTING DEPARTMENT FOR PROPER UPDATE

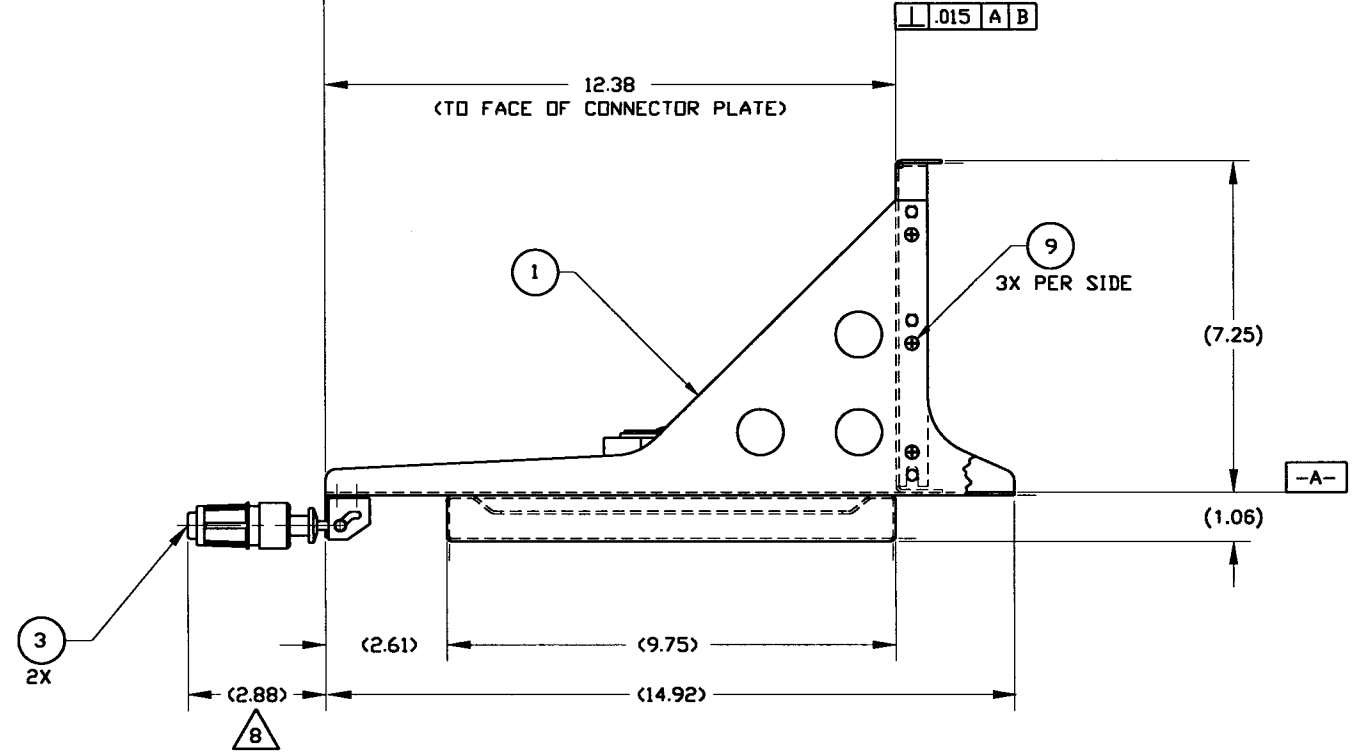
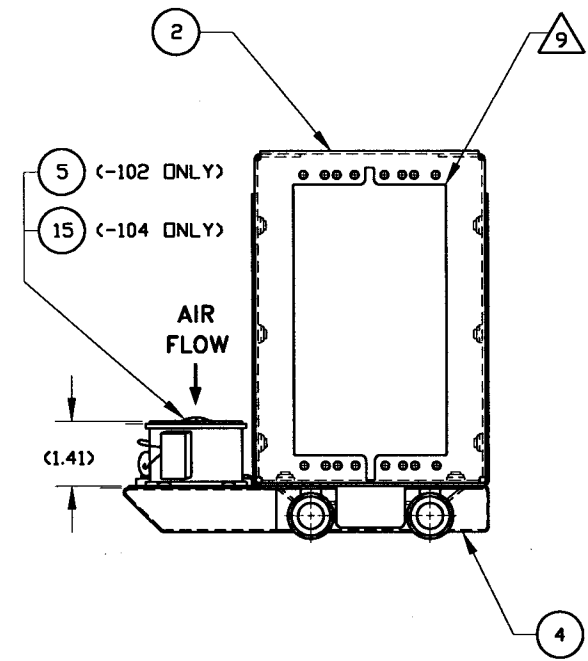
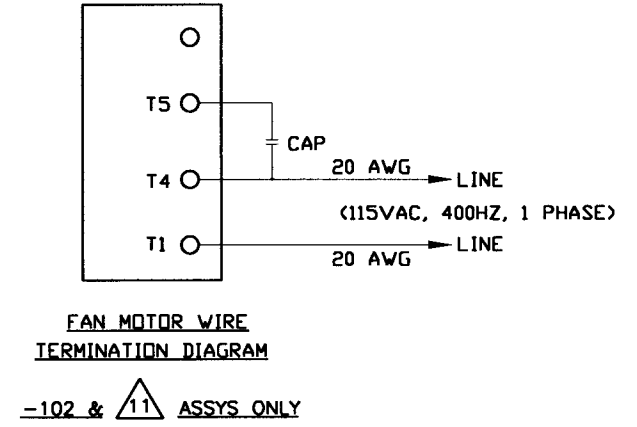
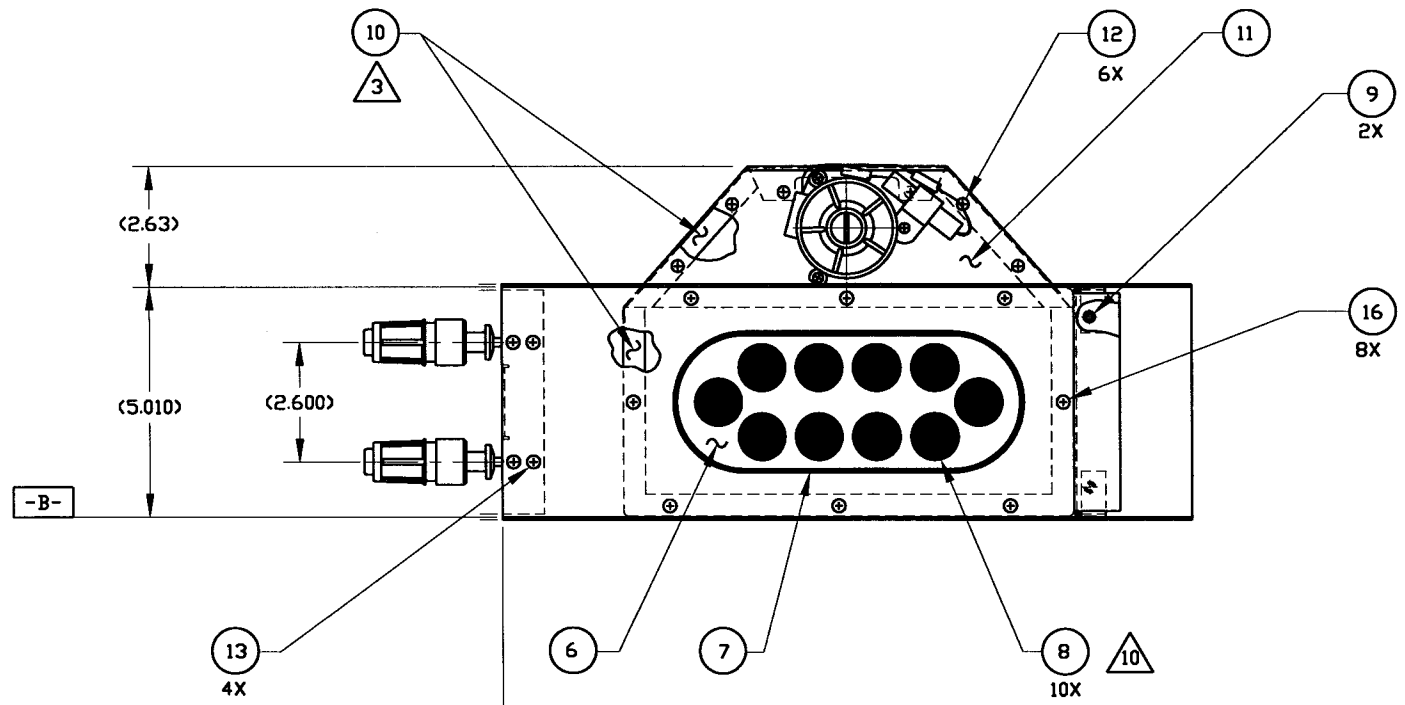
ELECTRONIC CABLE SPECIALISTS FRANKLIN, WI 53132 PHONE: (414) 421-5300			
SIZE	DATE CODE	LEVEL	DWG NO.
D	66197	C/A	6049
SCALE	1/2	SHEET	2 of 5

This print and associated documents and the contained information are the confidential property of ELECTRONIC CABLE SPECIALISTS. Disclosure of, and/or reproduction of, all or part thereof or manufacture of any part from information contained on this print not specifically permitted by ELECTRONIC CABLE SPECIALISTS in writing is forbidden.

DWG NO.	6049	SH	3	REV.	K	1
REVISIONS						
ZONE	REV.	DESCRIPTION	DATE	APPROVED		
	K	SEE SHEET 1				

D  
C  
B  
A

D  
C  
B  
A



-102 / -104 / 11 ASSEMBLY

NOTES: SEE SHEET 1

	<b>THIRD ANGLE PROJECTION</b>	<b>CAD GENERATED DOCUMENT</b>		<b>ELECTRONIC CABLE SPECIALISTS</b> FRANKLIN, WI 53132 PHONE: (414) 421-5300
	ANY CHANGES TO THIS DOCUMENT MUST BE SUBMITTED TO THE DESIGN/DRAFTING DEPARTMENT FOR PROPER UPDATE	SIZE: D CAGE CODE: 66197 SCALE: 1/2	LEVEL: C/A DWG NO.: 6049 SHEET: 3 OF 5	

8 7 6 5 4 3 2 1