

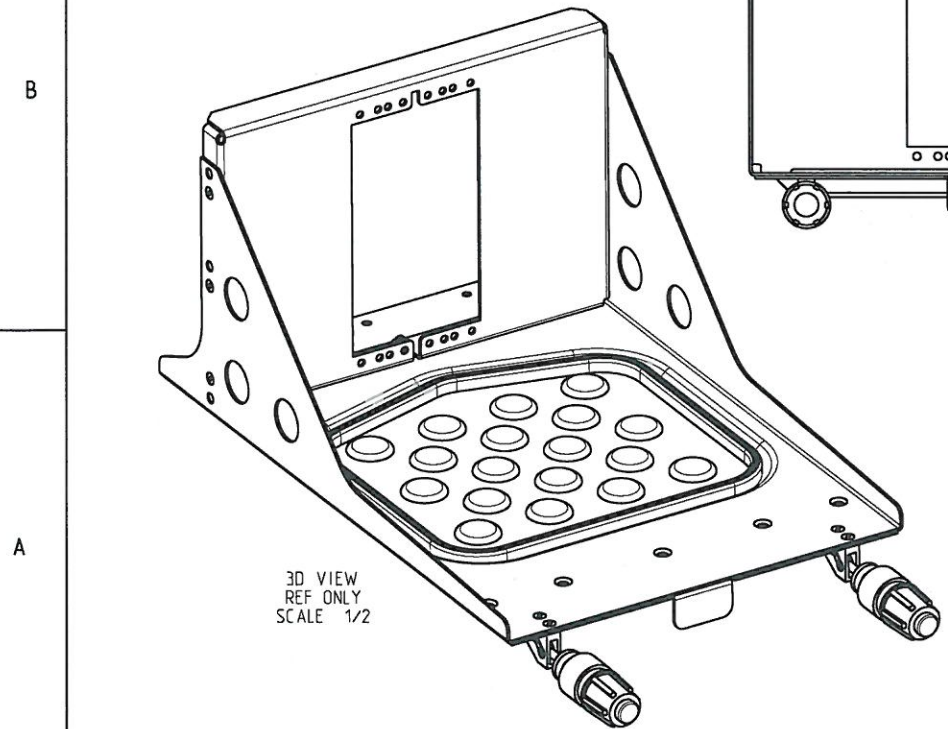
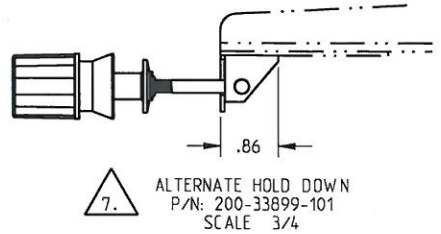
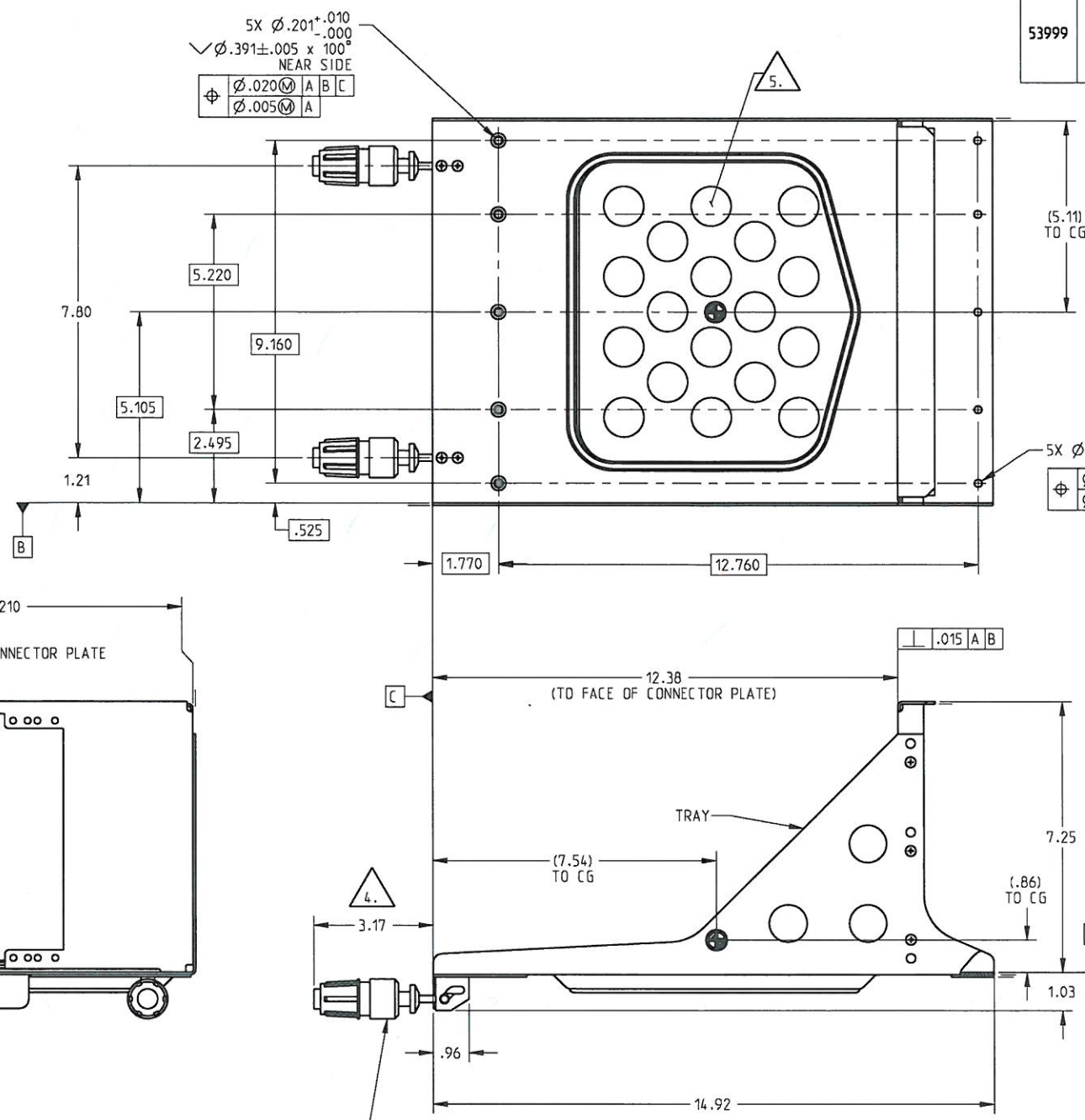
This print and associated documents and the contained information are the confidential property of ELECTRONIC CABLE SPECIALISTS. Disclosure of, and/or reproduction of, all or part thereof or manufacture of any part from information contained on this print not specifically permitted by ELECTRONIC CABLE SPECIALISTS in writing is forbidden.

**** EXPORT CONTROLLED DOCUMENT - EAR ****
 The information in this document is subject to the Export Controls in Accordance with the Export Administration Regulations. Diversion Contrary to U.S. Law is prohibited.

REVISION HISTORY						
ECN	SHT	ZONE	REV	DESCRIPTION	DATE	APPROVED
16658			N/C	RELEASED FOR 1ST ARTICLE INSPECTION.	11/6/02	B. MATHUR
53999		D7 NTS C2 F/D A3	A	ADDED EAR NOTE UPDATED NOTE 3 ADDED NOTES 6 & 7 ADDED ALT. HOLD DOWN VIEW ADDED CG TO VIEWS ADDED CALC. WT.	TJR 1/15/15	<i>[Signature]</i>

**NOTES: UNLESS OTHERWISE SPECIFIED
 GENERAL NOTES:**

- DIMENSIONS AND TOLERANCES PER ASME Y14.5M-1994.
- DESIGNED TO MEET THE APPLICABLE REQUIREMENTS OF THE FOLLOWING:
 - ARINC 600-13: 8 MCU
 - RTCA/DO-160D ENVIRONMENTAL TEST CONDITIONS:
 - TEMPERATURE: CAT A2
 - ALTITUDE: CAT A2
 - TEMP VARIATION: CAT B
 - HUMIDITY: CAT A
 - OPERATIONAL SHOCK: CAT B
 - CRASH SAFETY: SUSTAINED, TABLE 7-1, FIXED WING TRANSPORT A/C, FIXED ORIENTATION
 - VIBRATION: CAT S, CURVE B2
- TRAY AND CONNECTOR PLATE FINISH:
 CLEAR CHEM FILM PER MIL-DTL-5541, TYPE II, CLASS 3.
- MAXIMUM EXTENSION WHEN LRU IS SECURELY FASTENED TO TRAY ASSEMBLY.
- REMOVE METERING PLUGS PRIOR TO INSTALLING THE LRU ON AIRCRAFT.
- APPROXIMATE LOCATION OF CENTER OF GRAVITY SHOWN AS
- SEE ALTERNATE HOLD DOWN VIEW.



INSERTION EXTRACTION HOLD DOWN
 P/N: 10344-101 (SHOWN)
 OR ALTERNATE HOLD DOWN
 P/N: 200-33899-101

ECS PART NO: 6-08S1C1C0

PRODUCT SPECIFICATION DRAWING

THIRD ANGLE PROJECTION		WEIGHTS		UNLESS OTHERWISE SPECIFIED DIMENSIONS ARE IN INCHES TOLERANCES ARE		CONTRACT NO.		ELECTRONIC CABLE SPECIALISTS	
	-	-	-	FRACTIONS	DECIMALS	ANGULAR	-	FRANKLIN, WI 53132	PHONE: (414) 421-5300
	-	-	-	XX ± 0.03	XX 0.3	XX 0.5	DATE	TITLE	
	-	-	-	XXX ± 0.010	-	-	11/6/02	TRAY ASSEMBLY,	
	-	-	-	DO NOT SCALE DRAWING	-	-	11/6/02	S/S, 8 MCU	
	-	-	-		-	-	11/6/02	SIZE	CAGE CODE
	-	-	-		-	-	11/6/02	D	66197
	-	-	-		-	-	11/6/02	LEVEL	DWG NO.
	-	-	-		-	-	11/6/02	C	ECS-201596
	-	-	-		-	-	11/6/02	SCALE	EFFECTIVITY
	-	-	-		-	-	11/6/02	1/2	-
	-	-	-		-	-	11/6/02	SHEET	1 OF 1
	-	-	-		-	-	11/6/02		

NAME: JSHAW OBJECT: ECS-201596 DATE: 14-Jan-15 12:23:23