

NAME: B. MATHUR OBJECT: 200-92893-101.1 DATE: 22-Jul-03 16:24:47

This print and associated documents and the contained information are the confidential property of ELECTRONIC CABLE SPECIALISTS. Disclosure of, and/or reproduction of, all or part thereof or manufacture of any part from information contained on this print not specifically permitted by ELECTRONIC CABLE SPECIALISTS in writing is forbidden.

REVISION HISTORY						
ECN	SHT	ZONE	REV	DESCRIPTION	DATE	APPROVED
17940			N/C	RELEASED FOR 1ST ARTICLE MFG		J. B. Mather

NOTES: UNLESS OTHERWISE SPECIFIED

GENERAL NOTES:

- DIMENSIONS AND TOLERANCES PER ASME Y14.5M-1994.
- DESIGNED TO MEET THE APPLICABLE REQUIREMENTS OF THE FOLLOWING:
 - ARINC 600-9: 4 MCU
 - RTCA/DO-160D ENV CAT. (A2F2)BABI(SYLMC)JEXXXFXZ[IBZ]JAZZ[RRR]M[A3XX]XXA

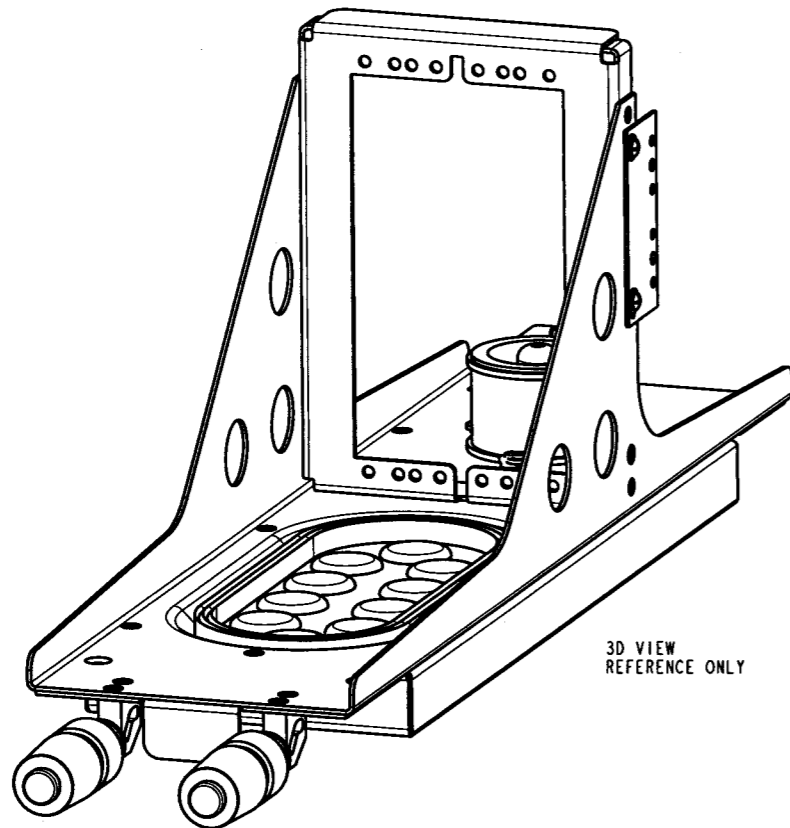
- FINISH: (CLEAR CHEM FILM PER MIL-5541, CLASS 3).
- MAXIMUM EXTENSION WHEN LRU IS SECURELY FASTENED TO TRAY ASSEMBLY.
- UNIVERSAL CONNECTOR CUT-OUT FOR ARINC 600 SIZE 1, 2, OR 3.
- DENOTES CENTER OF GRAVITY.
- FAN MTBF = 70,000 HRS @ 72° C.

ASSEMBLY NOTES:

- APPLY SEALANT AROUND SCREW HOLES AND CONTACT SURFACES AT ASSEMBLY TO PROVIDE A SEAL BETWEEN TRAY AND PLENUM.
- IDENTIFY WITH ECS PART NO. AND LOT# PER EP210.

INSTALLATION NOTES:

- REMOVE METERING PLUGS PRIOR TO INSTALLING THE LRU ON AIRCRAFT.



3D VIEW REFERENCE ONLY

AR	DOW CORNING RTV-3145	ADHESIVE SEALANT, CLEAR	SILICONE RUBBER	RTV-732-CLR	-	15
1	10016-104	DEFORMATION SEAL ASSEMBLY	SILICONE RUBBER	-	-	14
10	10736-01	PLUG BUMPER	RUBBER	-	-	13
2	NAS1149DN616J	WASHER, FLAT	#6 X .016 THK, ALUM	-	-	12
2	MS51957-29	SCREW, PAN HEAD	#6-32 X 0.438 LG.	-	-	11
8	MS24693-C24	SCREW, FLAT HEAD	#6-32 X .25 LONG, CRES	-	-	10
6	MS24693-C26	SCREW, FLAT HEAD	#6-32 X .38 LONG, CRES	-	-	9
4	MS24693-C25	SCREW, FLAT HEAD	#6-32 X .31 LONG, CRES	-	-	8
1	S0085-104	FAN ASSEMBLY, DC	-	-	-	7
2	10344-101	HOLD DOWN, FRONT INSERTION/EXTRACTION	-	-	-	6
1	992-3477-005	BRACKET, ANGLE-GROUNDING	.050 AL ALLOY 5052	-	-	5
1	10025CC-01	METERING PLATE, 4 MCU	ALUM ALLOY CLEAR CHEM FILM	-	-	4
1	S0067CC-104	PLENUM, ASSEMBLY 4 MCU	-	-	-	3
1	10018CC-106	CONNECTOR PLATE ASSEMBLY, 4 MCU	-	-	-	2
1	200-84805CC-101	TRAY WELDING ASSY, 4 MCU, S/L	.063 AL ALLOY 6061	-	-	1
	200-92893-101	TRAY ASSEMBLY, REAR FAN, 4 MCU S/L	-	-	-	-
QTY.	COMPONENT PART NO. OR IDENTIFYING NO.	NOMENCLATURE OR DESCRIPTION	MATERIAL/SPECIFICATION	ALTERNATE PART NO.	CAGE CODE	ITEM NO.

THIRD ANGLE PROJECTION		WEIGHTS		UNLESS OTHERWISE SPECIFIED DIMENSIONS ARE IN INCHES TOLERANCES ARE:		CONTRACT NO.		ELECTRONIC CABLE SPECIALISTS	
		STRESS		FRACTIONS DECIMALS ANGULAR		DRAWN B. MATHUR		FRANKLIN, WI 53132	
CAD GENERATED DOCUMENT ANY CHANGES TO THIS DOCUMENT MUST BE SUBMITTED TO THE DESIGN/DRAFTING DEPARTMENT FOR PROPER UPDATE		-		.XX ± 0.03 .X ± 0.5		CHECKED J. Paavussen		PHONE: (414) 421-5300	
QTY. REQ'D		FINAL BEST DRAWING		.XXX ± 0.010		DESIGNED B. MATHUR		TITLE	
-		PROJECT NO. 030010F		TREATMENT DO NOT SCALE DRAWING		DATE 7/22/03		TRAY ASSEMBLY.	
APPLICATION		QUALITY ASSURANCE		FINISH		DATE 7/22/03		REAR FAN, 4 MCU S/L	
ADDITIONAL APPROVALS		DATE		SIMILAR TO		DATE 7/22/03		SIZE CAGE CODE LEVEL DWG NO.	
DATE		200-84704-101		ACT WT		SCALE 1/2		D 66197 C/A 200-92893-101	
DATE		200-84704-101		CALC WT		EFFECTIVITY:		SHEET 1 OF 2	

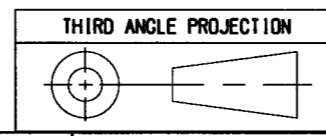
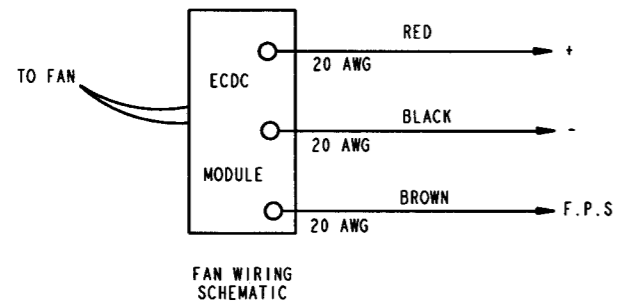
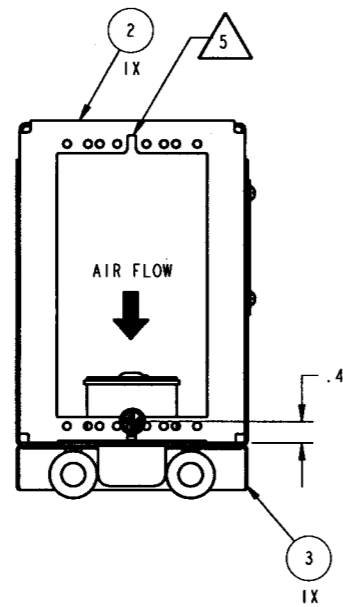
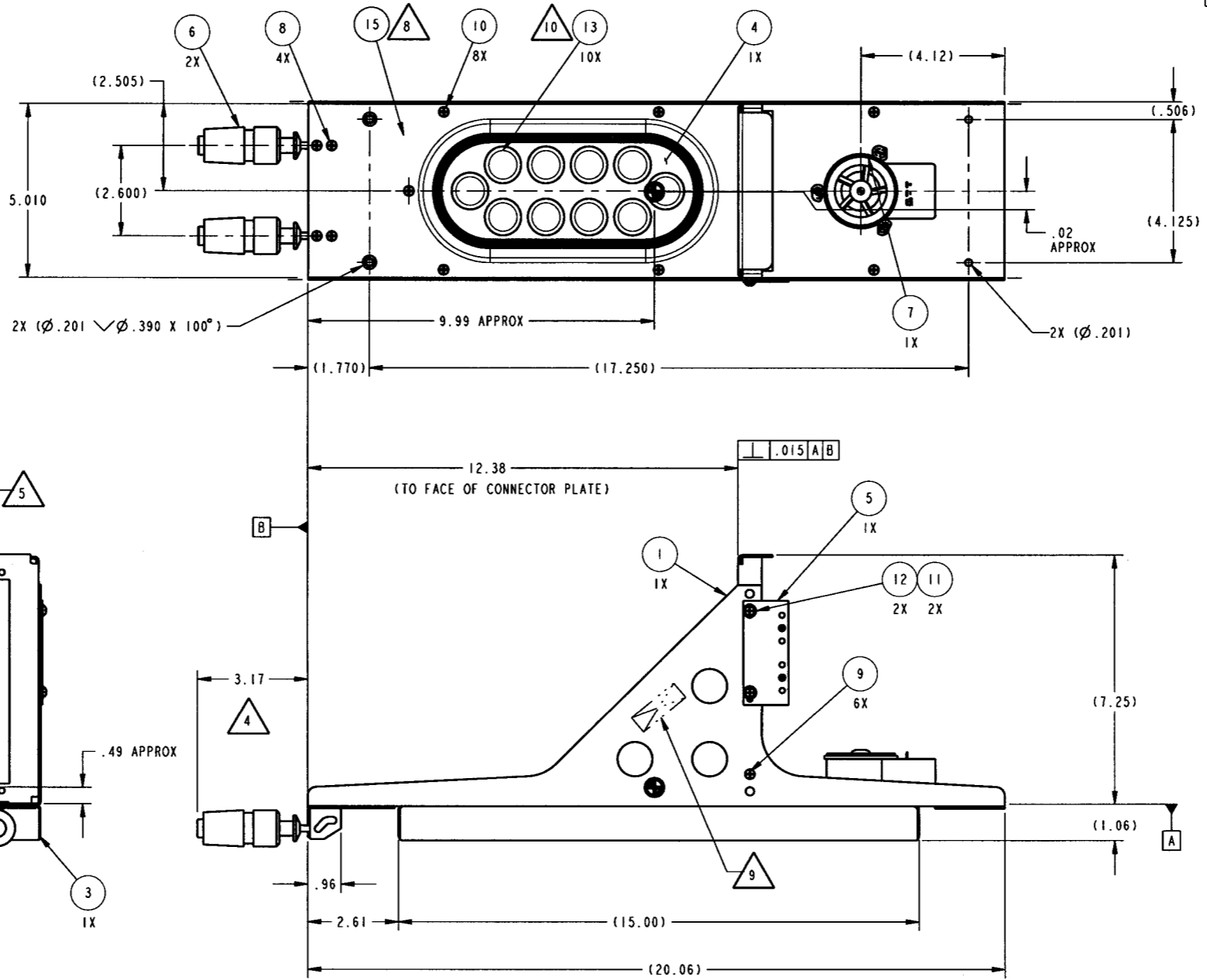
NAME: B. J. MATHUR OBJECT: 200-92893-101.2 DATE: 22-Jul-03 16:25:37

This print and associated documents and the contained information are the confidential property of ELECTRONIC CABLE SPECIALISTS. Disclosure of, and/or reproduction of, all or part thereof or manufacture of any part from information contained on this print not specifically permitted by ELECTRONIC CABLE SPECIALISTS in writing is forbidden.

DWG NO. 200-92893-101 SH 2 REV N/C 1

REVISION HISTORY				
ZONE	REV.	DESCRIPTION	DATE	APPROVED
	N/C	SEE SHEET 1		

NOTES: SEE SHEET 1



CAD GENERATED DOCUMENT
 ANY CHANGES TO THIS DOCUMENT
 MUST BE SUBMITTED TO THE
 DESIGN/DRAFTING DEPARTMENT
 FOR PROPER UPDATE

ELECTRONIC CABLE SPECIALISTS
 FRANKLIN, WI 53132
 PHONE: (414) 421-5300

SIZE	CAGE CODE	LEVEL	DWG NO.
D	66197	C/A	200-92893-101
SCALE	EFFECTIVITY:		SHEET 2 OF 2
1/2	-		