

DWG NO. ECS-201869		SH 1	REV A	1		
REVISION HISTORY						
ECN	SHT	ZONE	REV	DESCRIPTION	DATE	APPROVED
18693			N/C	RELEASED FOR 1ST ARTICLE INSPECTION.	12/11/03	P JOBE
53853		NTS NTS B8 B5 F/D A3	A	UPDATED NOTE 3. ADDED NOTES 8 & 9. ADDED ALT HOLD DOWN VIEW. ADDED HOLD DOWN CALLOUT ADDED CG & DIMENSIONS ADDED CAL WGT.	LJH 1/15/15	<i>[Signature]</i>

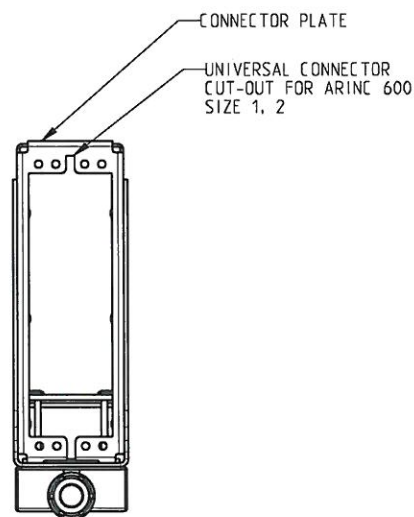
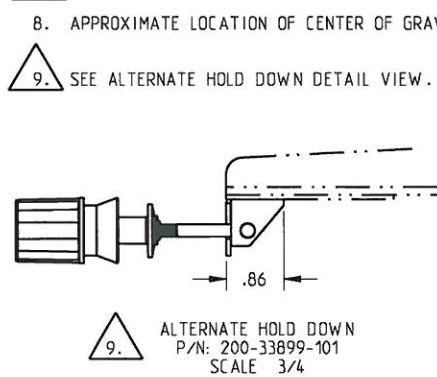
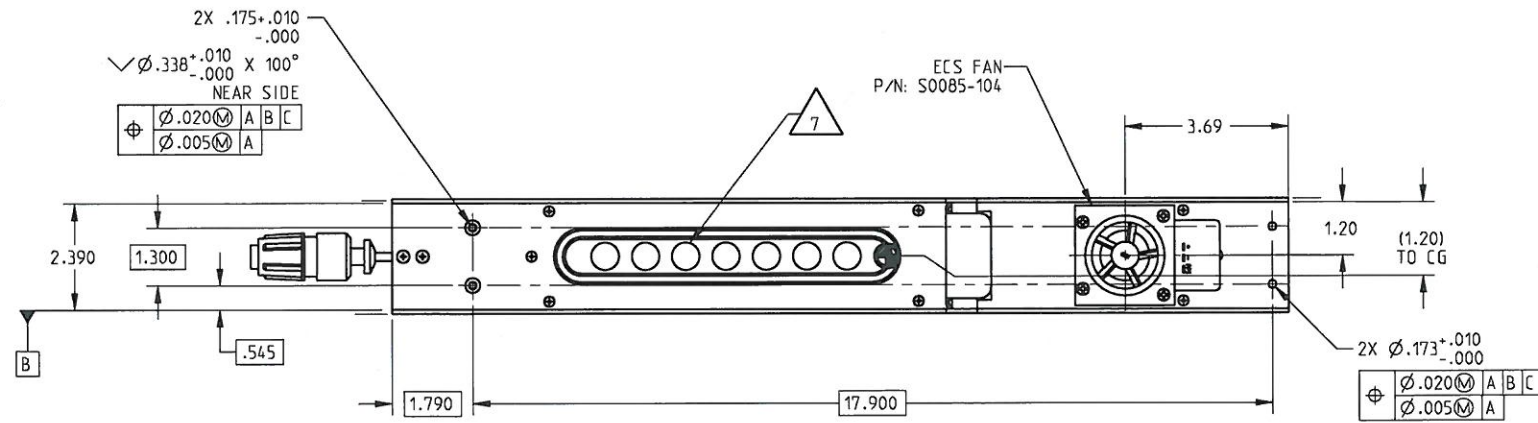
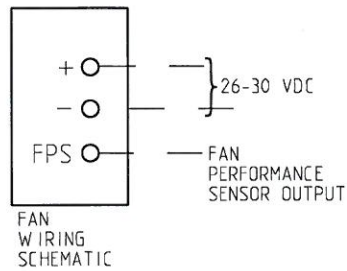
This print and associated documents and the contained information are the confidential property of ELECTRONIC CABLE SPECIALISTS. Disclosure of, and/or reproduction of, all or part thereof or manufacture of any part from information contained on this print not specifically permitted by ELECTRONIC CABLE SPECIALISTS in writing is forbidden.

\*\*\* EXPORT CONTROLLED DOCUMENT - EAR \*\*\*  
The information in this document is subject to the Export Controls in Accordance with the Export Administration Regulations. Diversion Contrary to U.S. Law is prohibited.

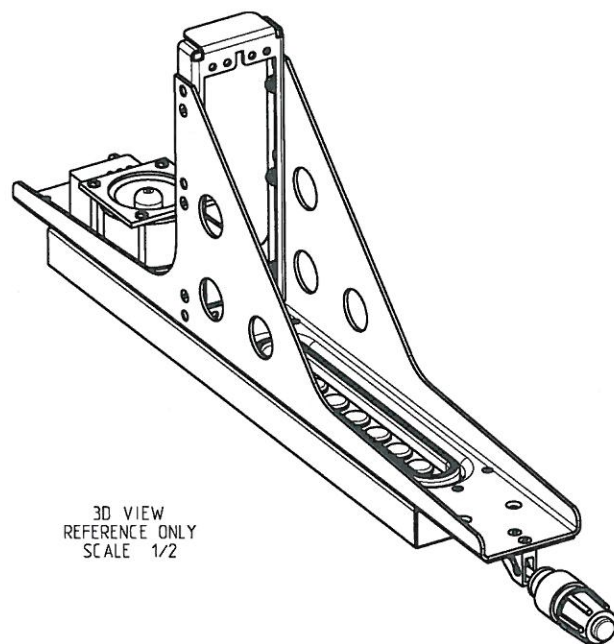
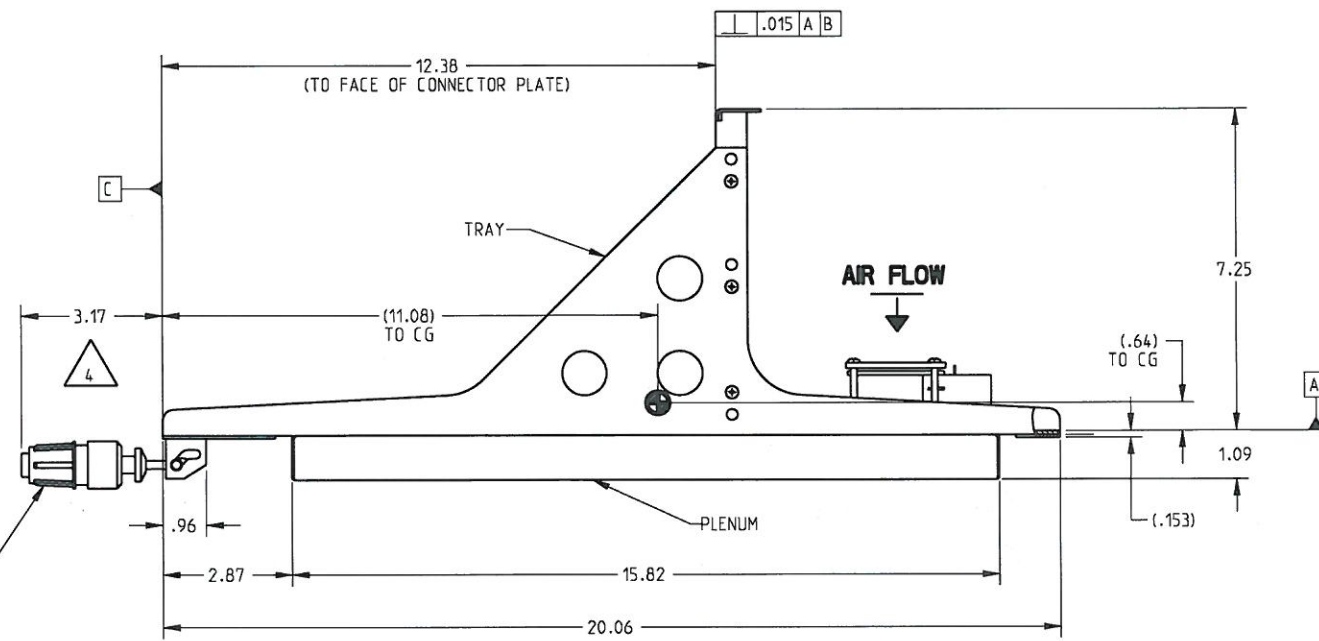
**NOTES: UNLESS OTHERWISE SPECIFIED**

**GENERAL NOTES:**

- DIMENSIONS AND TOLERANCES PER ASME Y14.5M-1994.
- DESIGNED TO MEET THE APPLICABLE REQUIREMENTS OF THE FOLLOWING:
  - ARINC 600-13, 2 MCU
  - RTCA/DO-160D ENVIRONMENTAL TEST CONDITIONS.
    - TEMPERATURE: CAT A2
    - ALTITUDE: CAT A2
    - TEMPERATURE VARIATION: CAT B
    - HUMIDITY: CAT A
    - OPERATIONAL SHOCK: CAT B
    - CRASH SAFETY: SUSTAINED, TABLE 7-1, FIXED WING TRANSPORT A/C, FIXED ORIENTATION
    - VIBRATION: CAT S, CURVE B2
- TRAY, PLENUM AND CONNECTOR PLATE FINISH: CLEAR CHEM FILM PER MIL-DTL-5541, TYPE II, CLASS 3.
- MAXIMUM EXTENSION WHEN LRU IS SECURELY FASTENED TO TRAY ASSEMBLY.
- FOR PRESSURIZED APPLICATION ONLY. NOT RECOMMENDED FOR INSTALLATION IN UNPRESSURIZED AREAS.
- ELECTRICAL CHARACTERISTICS (FAN):
  - FAN: 28 V DC
  - CURRENT: 0.25 AMPS (NDM)
- REMOVE ALL METERING PLUGS PRIOR TO INSTALLING LRU.
- APPROXIMATE LOCATION OF CENTER OF GRAVITY SHOWN AS
- SEE ALTERNATE HOLD DOWN DETAIL VIEW.



INSERTION EXTRACTION HOLD DOWN  
P/N: 10344-101 (SHOWN)  
OR ALTERNATE HOLD DOWN  
P/N: 200-33899-101



# ECS PART NO: 200-92144-101

## PRODUCT SPECIFICATION DRAWING

THIRD ANGLE PROJECTION		WEIGHTS		UNLESS OTHERWISE SPECIFIED: DIMENSIONS ARE IN INCHES.		SIMILAR TO: ECS-201870		ELECTRONIC CABLE SPECIALISTS FRANKLIN, WI 53132 PHONE: (414) 421-5300	
		-		FRACTIONS ARE: - .X ± 0.1 - .XX ± 0.03 - .XXX ± 0.010 DO NOT SCALE DRAWINGS		DRAWN: T. DuFRESNE DATE: 03-Nov-03		TITLE: TRAY ASSEMBLY, 2 MCU S/L DC FAN MOUNTED	
CAD GENERATED DOCUMENT ANY CHANGES TO THIS DOCUMENT MUST BE SUBMITTED TO THE DESIGN/DRAFTING DEPARTMENT FOR PROPER UPDATE		-		TREATMENT		CHECKED: B MATHUR DATE: 12/11/03		SCALE: D 66197 C	
- FINAL 030457		-		FINISH		DESIGNED: T. DuFRESNE DATE: 03-Nov-03		DWG NO: ECS-201869	
-		-		-		PROJECT: B MATHUR DATE: 12/11/03		EFFECTIVITY: -	
-		-		-		MANUFACTURING		SHEET 1 OF 1	
-		-		-		ENGINEERING: B MATHUR DATE: 12/11/03			
-		-		-		SURF AREA SQ INCHES FAB SQ INCHES RESTO CALC WT LBS			
-		-		-		588.119 2.234			

NAME: LGORALSKI OBJECT: ECS-201869 DATE: 15-Jan-15 14:10:19