

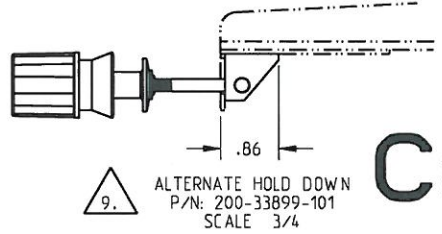
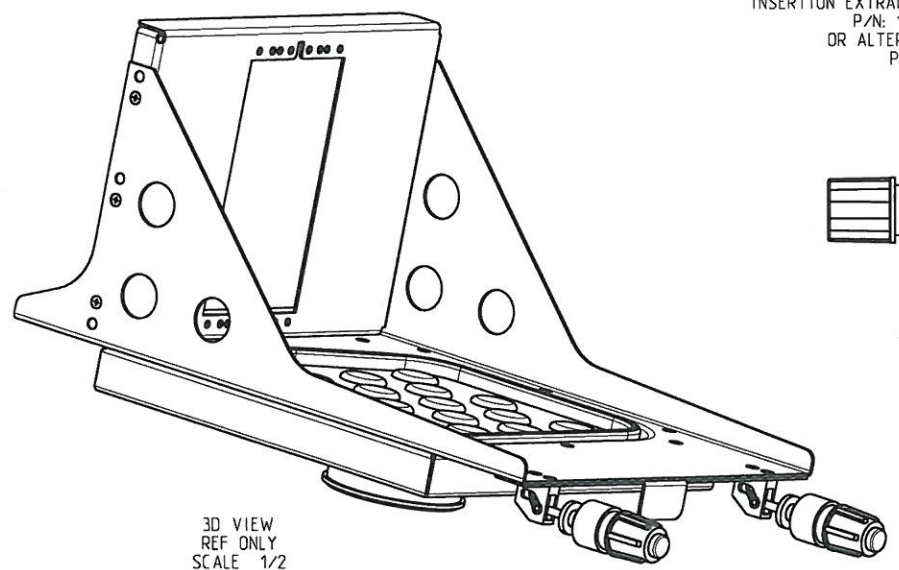
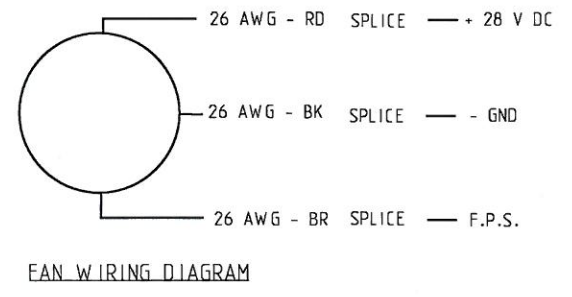
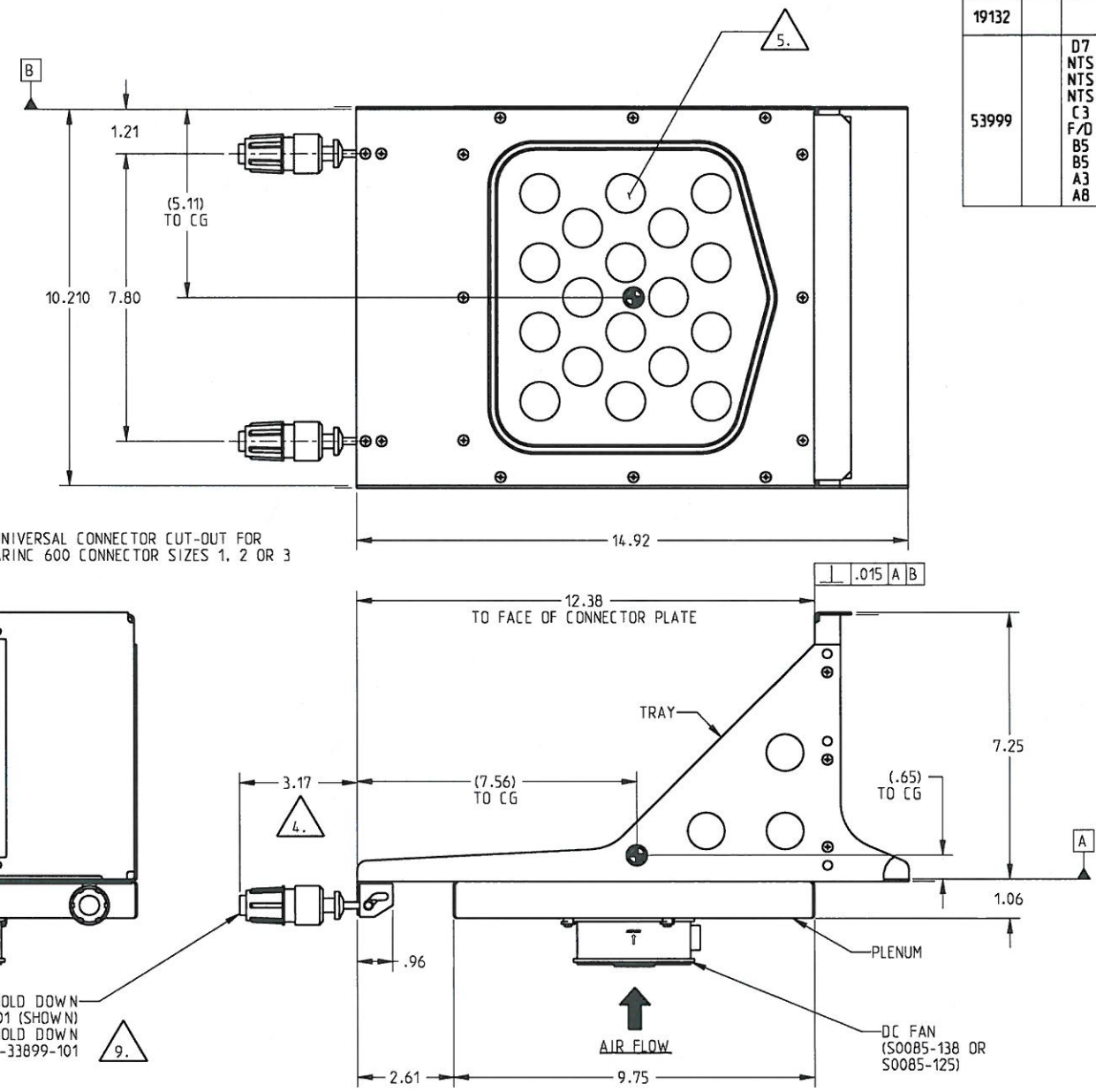
This print and associated documents and the contained information are the confidential property of ELECTRONIC CABLE SPECIALISTS. Disclosure of, and/or reproduction of, all or part thereof or manufacture of any part from information contained on this print not specifically permitted by ELECTRONIC CABLE SPECIALISTS in writing is forbidden.

**** EXPORT CONTROLLED DOCUMENT - EAR ****
The information in this document is subject to the Export Controls in Accordance with the Export Administration Regulations. Diversion Contrary to U.S. Law is prohibited.

REVISION HISTORY						
ECN	SHT	ZONE	REV	DESCRIPTION	DATE	APPROVED
			X	RELEASED FOR CUSTOMER APPROVAL	11/13/02	PJJ
19132			N/C	RELEASED FOR PRODUCTION	LJH 1/15/14	PJJ
53999		D7 NTS NTS NTS C3 F/D B5 A3 A8	A	ADDED EAR NOTE UPDATED NOTE 2. ADDED DELTA TO NOTE 3 ADDED NOTES 8 & 9. UPDATED G-TOL ADDED CG & DIMENSIONS ADDED ALT P/N NOTE ADDED ALT. HOLD DOWN VIEW ADDED CAL WGT ADDED ISO VIEW	LJH 1/20/15	<i>[Signature]</i>

**NOTES: UNLESS OTHERWISE SPECIFIED
GENERAL NOTES:**

- DIMENSIONS AND TOLERANCES PER ASME Y14.5M-1994.
- DESIGNED TO MEET THE APPLICABLE REQUIREMENTS OF THE FOLLOWING:
A. ARINC 600-13: 8 MCU
B. RTCA/DO-160D ENVIRONMENTAL TEST CONDITIONS:
1. TEMPERATURE: CAT A2
2. ALTITUDE: CAT A2
3. TEMP VARIATION: CAT B
4. HUMIDITY: CAT A
5. OPERATIONAL SHOCK: CAT B
6. CRASH SAFETY: SUSTAINED, TABLE 7-1, ALL FIXED WING TRANSPORT A/C, FIXED ORIENTATION
7. VIBRATION: CAT S, CURVE B2
- TRAY, PLENUM AND CONNECTOR PLATE FINISH:
CLEAR CHEM FILM PER MIL-DTL-5541, TYPE II, CLASS 3.
- MAXIMUM EXTENSION WHEN LRU IS SECURELY FASTENED TO TRAY ASSEMBLY.
- REMOVE METERING PLUGS PRIOR TO INSTALLING THE LRU ON THE AIRCRAFT.
- FOR PRESSURIZED APPLICATION ONLY. NOT RECOMMENDED FOR INSTALLATION IN UNPRESSURIZED AREAS.
- ELECTRICAL SPECIFICATIONS (FAN):
28V DC FAN
1.20 - 1.30 AMPS (NOM)
FAN SUPPLIED WITH 12-18 INCH LEADS (26AWG)
- APPROXIMATE LOCATION OF CENTER OF GRAVITY SHOWN AS \odot .
- SEE ALTERNATE HOLD DOWN DETAIL VIEW.



CarlisleIT PART NO.: 200-91165-101

PRODUCT SPECIFICATION DRAWING

THIRD ANGLE PROJECTION	
CAD GENERATED DOCUMENT ANY CHANGES TO THIS DOCUMENT MUST BE SUBMITTED TO THE DESIGN/DRAFTING DEPARTMENT FOR PROPER UPDATE	

QTY	FINAL/ NEXT DRAWING	PROJECT NO.	QUALITY ASSURANCE	ADDITIONAL APPROVALS	DATE
	FINAL	021312	PRODUCTION		

UNLESS OTHERWISE SPECIFIED: DIMENSIONS ARE IN INCHES	
TOLERANCES ARE:	
FRACTIONS	DECIMALS
XXX ± 0.01	XX ± 0.1
XXX ± 0.03	XX ± 0.3
XXX ± 0.05	XX ± 0.5
XXX ± 0.010	XX ± 0.010
DO NOT SCALE DRAWINGS	
TREATMENT	
FINISH	
SURF AREA SQ INCHES FAB SQ INCHES REQ'D CALC WGT LBS	
	3.375

DRAWN		DATE		TITLE	
S KANTORSKI	11/05/02	TRAY ASSY, 8 MCU S/S W/BOTTOM FAN			
B MATHUR	11/7/02				
S KANTORSKI	11/5/02				
B MATHUR	1/15/04				
ELECTRONIC CABLE SPECIALISTS FRANKLIN, WI 53132 PHONE: (414) 421-5300		SIZE	CAGE CODE	LEVEL	DWG NO.
D	66197	C		ECS-201595	
SCALE	15/32	EFFECTIVITY:		SHEET	1 OF 1

NAME: JSHAW OBJECT: ECS-201595 DATE: 19-Jan-15 11:02:00