

DWG NO. ECS-200770				SH 1	REV N/C	1
REVISION HISTORY						
ECN	SHT	ZONE	REV	DESCRIPTION	DATE	APPROVED
13998			N/C	RELEASED FOR DESIGN APPROVAL	7/16/01	JDR

This print and associated documents and the contained information are the confidential property of ELECTRONIC CABLE SPECIALISTS. Disclosure of, and/or reproduction of, all or part thereof or manufacture of any part from information contained on this print not specifically permitted by ELECTRONIC CABLE SPECIALISTS in writing is forbidden.

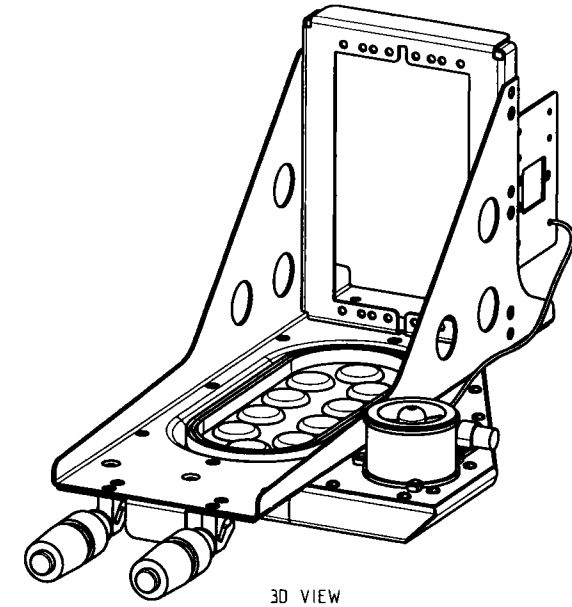
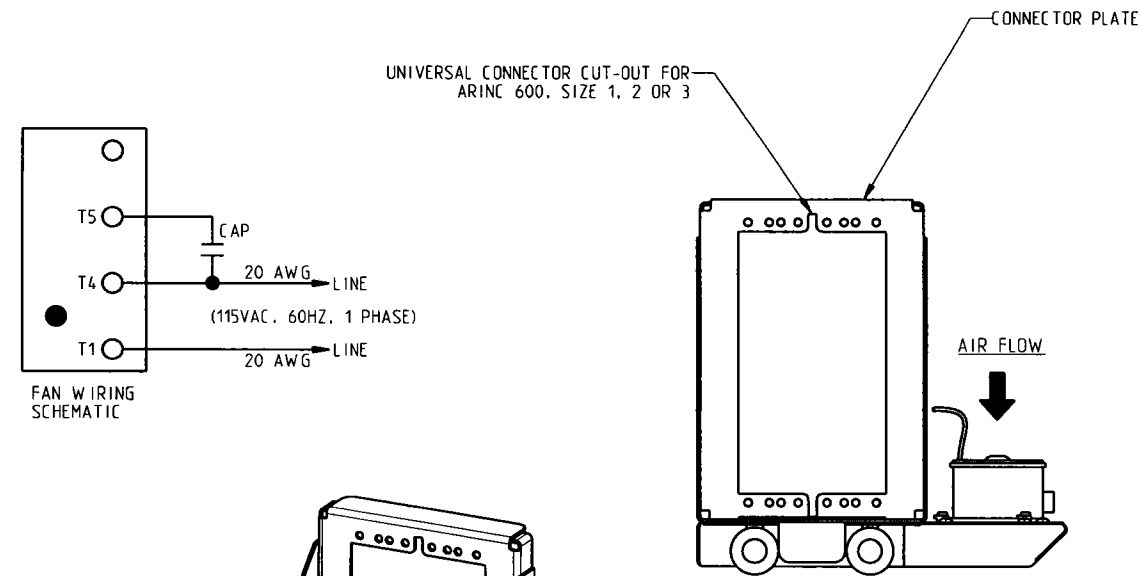
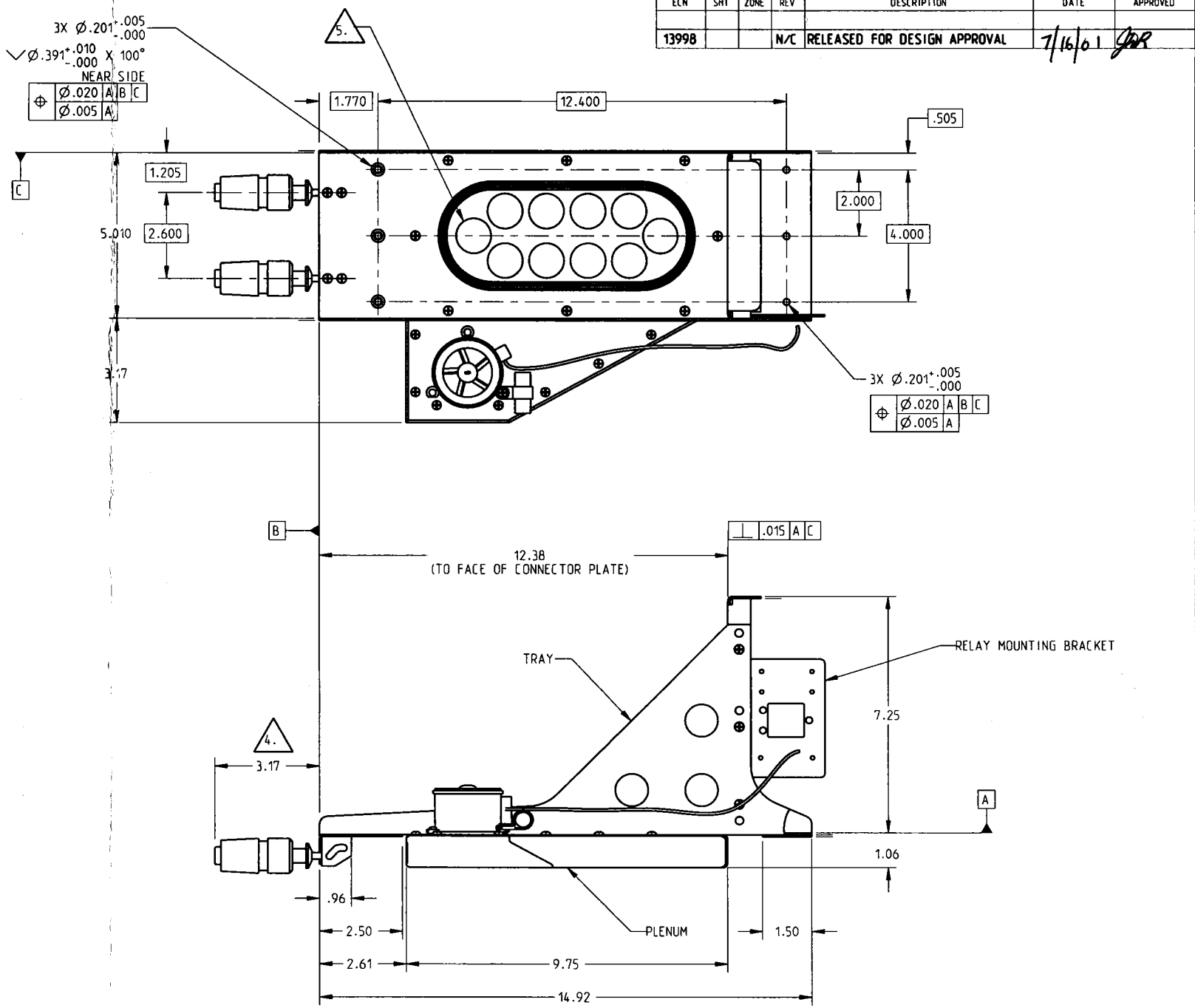
NOTES: UNLESS OTHERWISE SPECIFIED
GENERAL NOTES:

- DIMENSIONS AND TOLERANCES PER ASME Y14.5M-1994.
- DESIGNED TO MEET THE APPLICABLE REQUIREMENTS OF THE FOLLOWING:
A. ARINC 600-12: 4 MCU
B. RTCA/DO-160D ENV. CAT ((A2)(F2))-JBAB(S(B2))XXXXXXXXXXXXXXXXXXXX
- TRAY, CONNECTOR PLATE AND PLENUM FINISH:
CLEAR CHEM FILM PER MIL-5541, CLASS 3.

4. MAXIMUM EXTENSION WHEN LRU IS SECURELY FASTENED TO TRAY ASSEMBLY.

INSTALLATION NOTES:

5. REMOVE METERING PLUGS PRIOR TO INSTALLING THE LRU ON AIRCRAFT.



ECS PART NO: 200-87190-101

PRODUCT SPECIFICATION DRAWING

THIRD ANGLE PROJECTION		WEIGHTS		UNLESS OTHERWISE SPECIFIED DIMENSIONS ARE IN INCHES		CONTRACT NO.		ECS ELECTRONIC CABLE SPECIALISTS FRANKLIN, WI 53132 PHONE: (414) 421-5300	
CAD GENERATED DOCUMENT ANY CHANGES TO THIS DOCUMENT MUST BE SUBMITTED TO THE DESIGN/DRAFTING DEPARTMENT FOR PROPER UPDATE		STRESS		FRACTIONS		DRAWN M. GOSKOWICZ		DATE 28-Jun-01	
FINAL		010673		DECIMALS		CHECKED M. PESKE		DATE 7/13/01	
PROJECT NO.		QUALITY ASSURANCE		ANGULAR		DESIGNED M. Goskowitz		DATE 7/11/01	
APPLICATION		ADDITIONAL APPROVALS		DO NOT SCALE DRAWING		MANUFACTURED BY M. Swartz		DATE 7/13/01	
				TREATMENT		ENGINEER B. Mathew		DATE 7/13/01	
				FINISH		SCALE		EFFECTIVITY	
				SIMILAR TO		D 66197		C	
				ACT WT		SCALE 1/2		ECS-200770	
				CALE WT		SHEET 1 OF 1			

NAME: MAGOSKOW OBJECT: ECS-200770 DATE: 12-Jul-01 16:31:01