

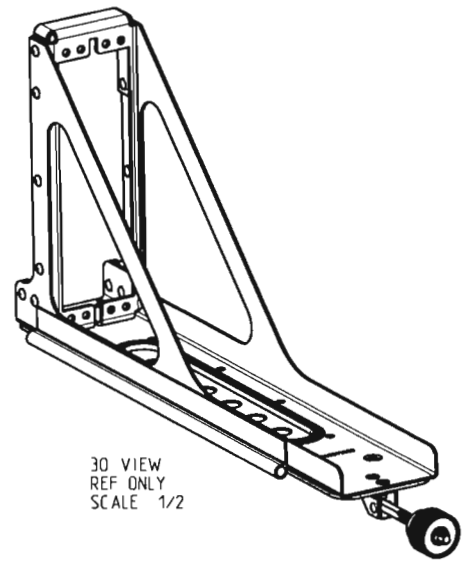
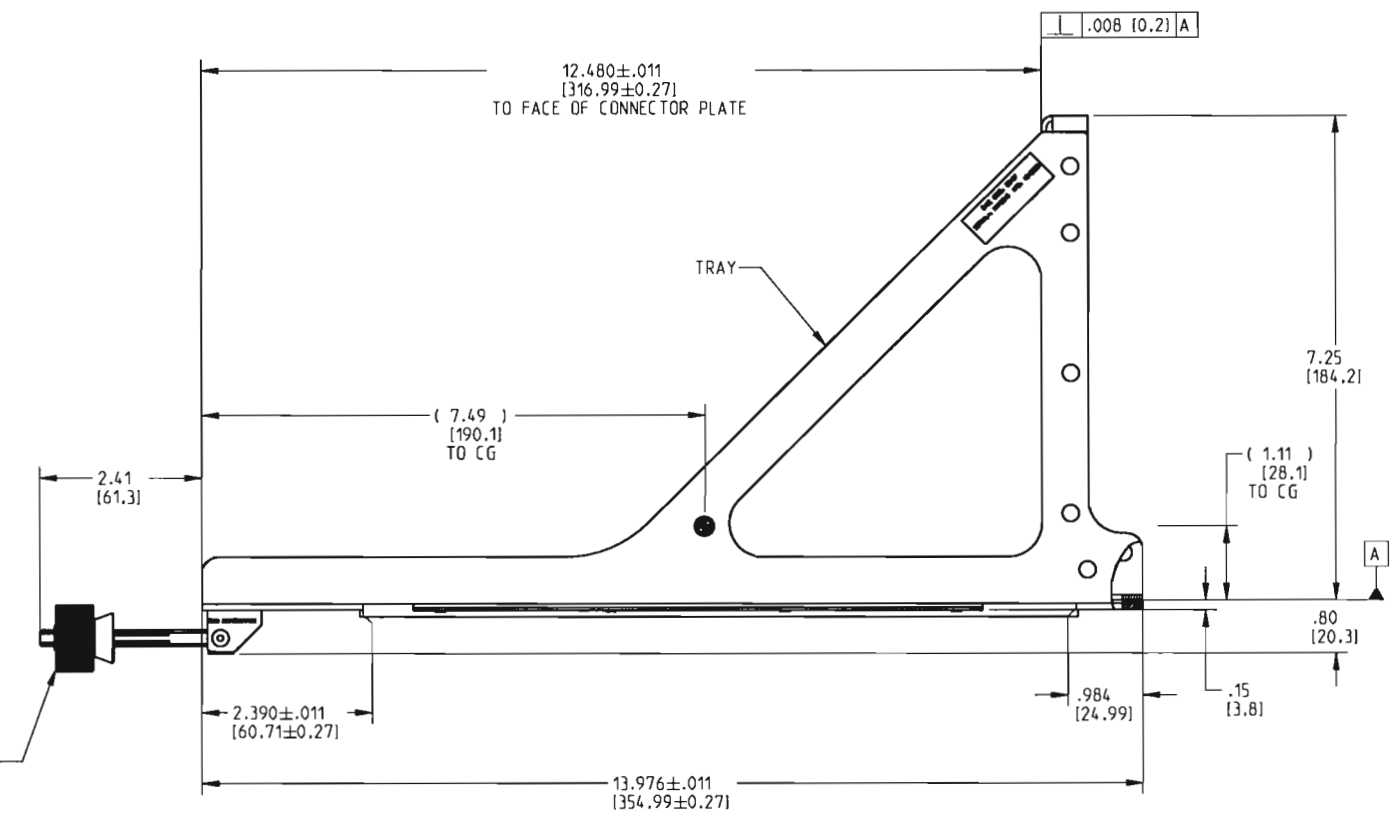
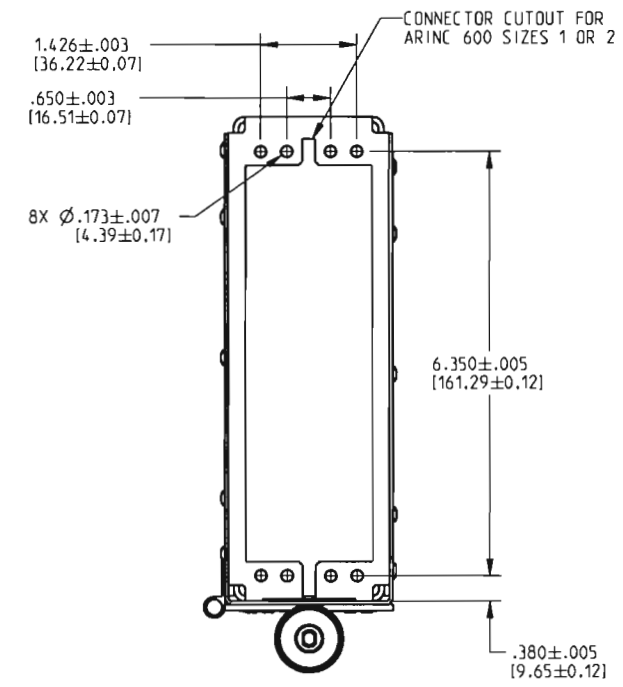
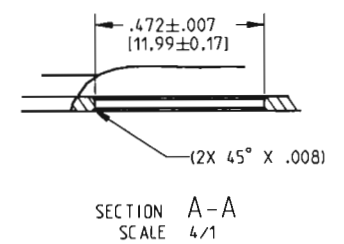
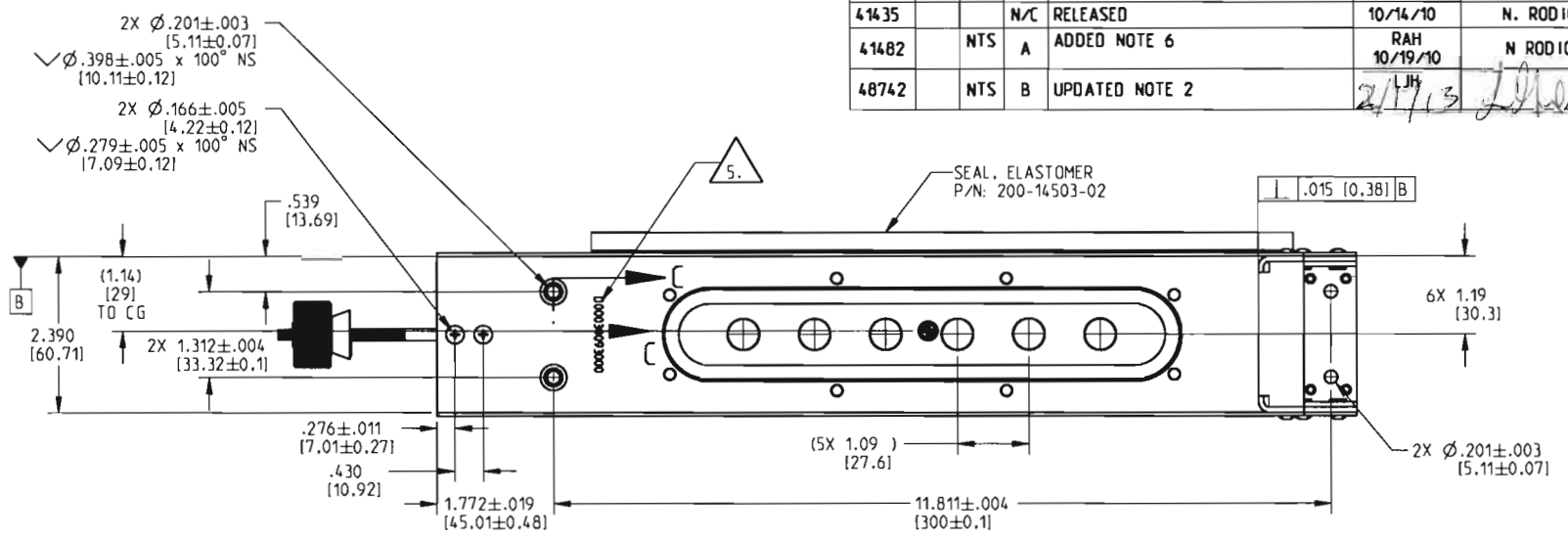
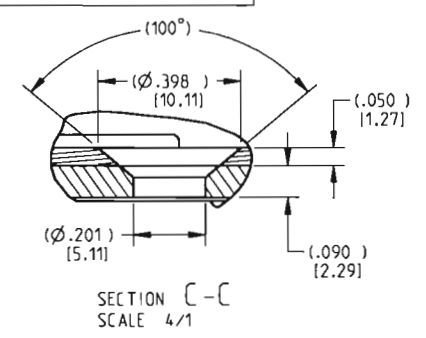
ECN	SHT	ZONE	REV	DESCRIPTION	DATE	APPROVED
41435			N/C	RELEASED	10/14/10	N. RODIG
41482		NTS	A	ADDED NOTE 6	10/19/10	N. RODIG
48742		NTS	B	UPDATED NOTE 2	2/17/13	J. Behendorf

This print and associated documents and the contained information are the confidential property of ELECTRONIC CABLE SPECIALISTS. Disclosure of, and/or reproduction of, all or part thereof or manufacture of any part from information contained on this print not specifically permitted by ELECTRONIC CABLE SPECIALISTS in writing is forbidden.

**** EXPORT CONTROLLED DOCUMENT - EAR ****
The information in this document is subject to the Export Controls in accordance with the Export Administration Regulations. Diversion contrary to U.S. Law is prohibited.

NOTES: UNLESS OTHERWISE SPECIFIED GENERAL NOTES:

- DIMENSIONS AND TOLERANCES PER ASME Y14.5M-1994.
- TESTED TO MEET THE APPLICABLE REQUIREMENTS OF THE FOLLOWING:
 - A. ARINC 600-18: 2 MCU
 - B. RTCA/DO-160E: ENVIRONMENTAL TEST CONDITIONS:
 - TEMPERATURE: CAT D3
 - ALTITUDE: CAT D3
 - HUMIDITY: CAT A
 - SALT: CAT S & CAT T
 - C. AIRBUS SPECIFICATION ABS 1773
 - VIBRATION: ROBUST VIB SINUSOIDAL
 - OPERATIONAL SHOCK: 6G/11MS SINE PULSE
 - CRASH SAFETY: 15G/11MS SINE PULSE
 - CONSTANT ACCELERATIONS:
 - a. MAX FLIGHT ACCELERATION: 6.5G UP, 4.5G DOWN, 3G OTHER
 - b. EXTREME CRASH ACCELERATION: 12G
 - WINDMILLING: 160 MIN DWELL @ CRITICAL FREQUENCY 30-2 Hz
- TRAY AND CONNECTOR PLATE FINISH: CLEAR CHEM FILM PER MIL-DTL-5541, TYPE II, CLASS 3.
- ⊙ DENOTES CENTER OF GRAVITY (CG).
- △ STAMPED WITH AIRBUS P/N IN LOCATION SHOWN.
- COMPLIANT WITH AIRBUS SPECIFICATION NUMBERS D00030093000 AND ABS1699-02.



ECS PART NO.: 200-23876-101

PRODUCT SPECIFICATION DRAWING

THIRD ANGLE PROJECTION		WEIGHTS		UNLESS OTHERWISE SPECIFIED DIMENSIONS ARE IN INCHES		CONTRACT NO.		ECS ELECTRONIC CABLE SPECIALISTS FRANKLIN, WI 53132 PHONE: (414) 421-5300	
		--		FRACTIONS DECIMALS ANGULAR		DRAWN P. HANNES DATE 19-May-09		TITLE A/B TRAY ASSEMBLY, 13.97 LONG, 2 MCU	
CAD GENERATED DOCUMENT ANY CHANGES TO THIS DOCUMENT MUST BE SUBMITTED TO THE DESIGN/DRAFTING DEPARTMENT FOR PROPER UPDATE		--		TOLERANCES ARE: .XXX .003 .005 .010 .015 .020 .030 .040 .050 .060 .070 .080 .090 .100 .125 .150 .175 .200 .250 .300 .375 .450 .500 .625 .750 .875 1.000 1.250 1.500 1.750 2.000 2.500 3.000 3.750 4.500 5.000		CHECKED C. BELL DATE 10/14/10		SCALE 3/4 EFFECTIVITY	
--		--		TREATMENT		DESIGNED P. HANNES DATE 19-May-09		LEVEL C	
--		--		FINISH		PROJECT N. RODIG DATE 10/14/10		DWG NO. ECS-207969	
--		--		QUALITY ASSURANCE		MANUFACTURING		SHEET 1 of 2	
--		--		SIMILAR TO		ENGINEERING J. BEHENDORF DATE 10/14/10			
--		--		NET WT		CALC WT .85 lbs			
--		--		APPLICATION		ADDITIONAL APPROVALS			
--		--		DATE					