

This print and associated documents and the contained information are the confidential property of CarlisleIT. Disclosure of, and/or reproduction of, all or part thereof or manufacture of any part from information contained on this print not specifically permitted by CarlisleIT in writing is forbidden.

*** EXPORT CONTROLLED DOCUMENT - EAR ***
 The information in this document is subject to the Export Controls in Accordance with the Export Administration Regulations. Diversion Contrary to U.S. Law is prohibited.

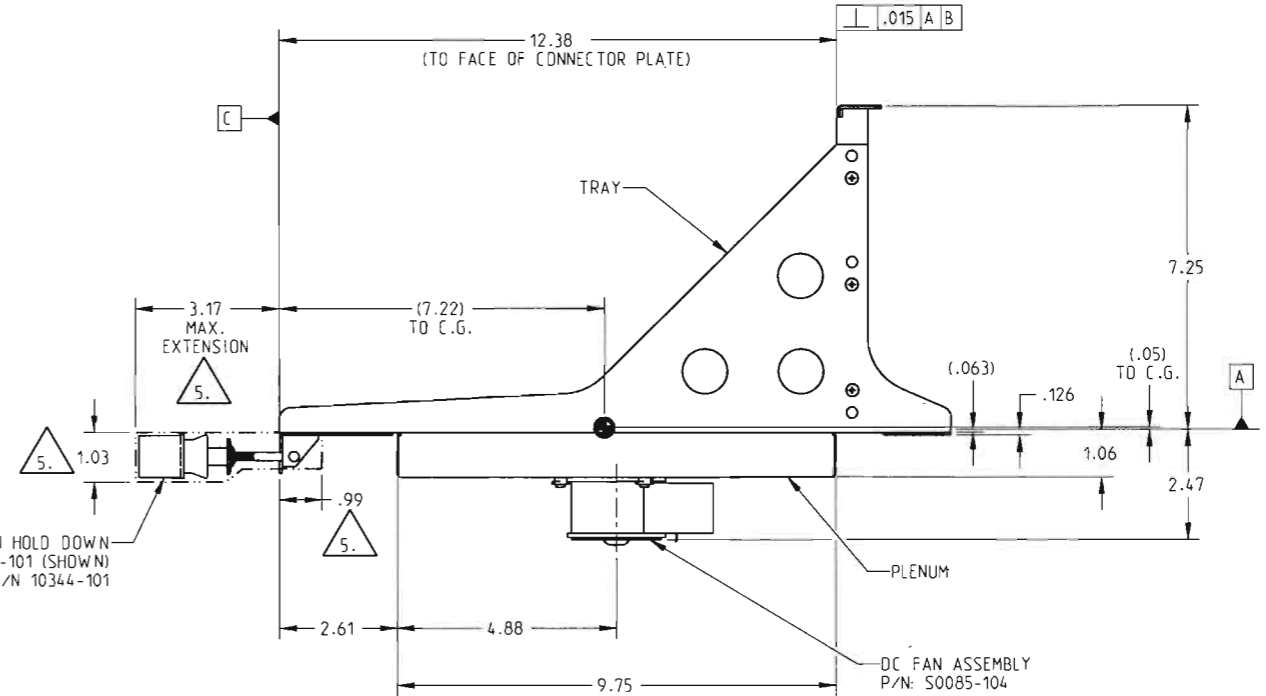
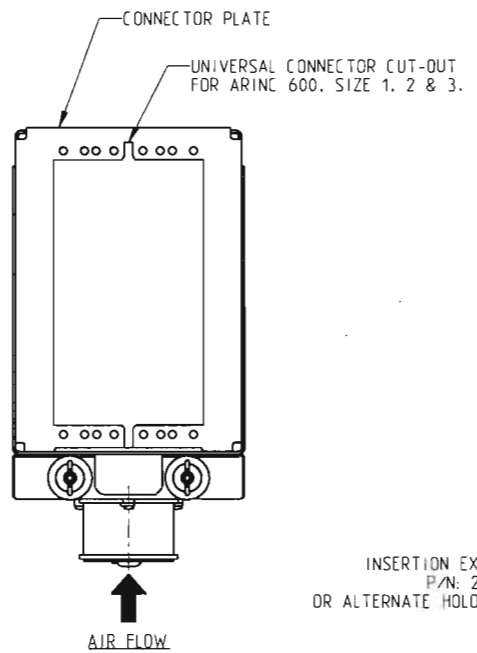
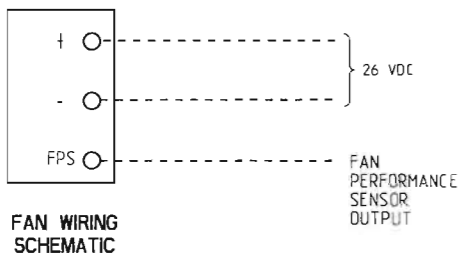
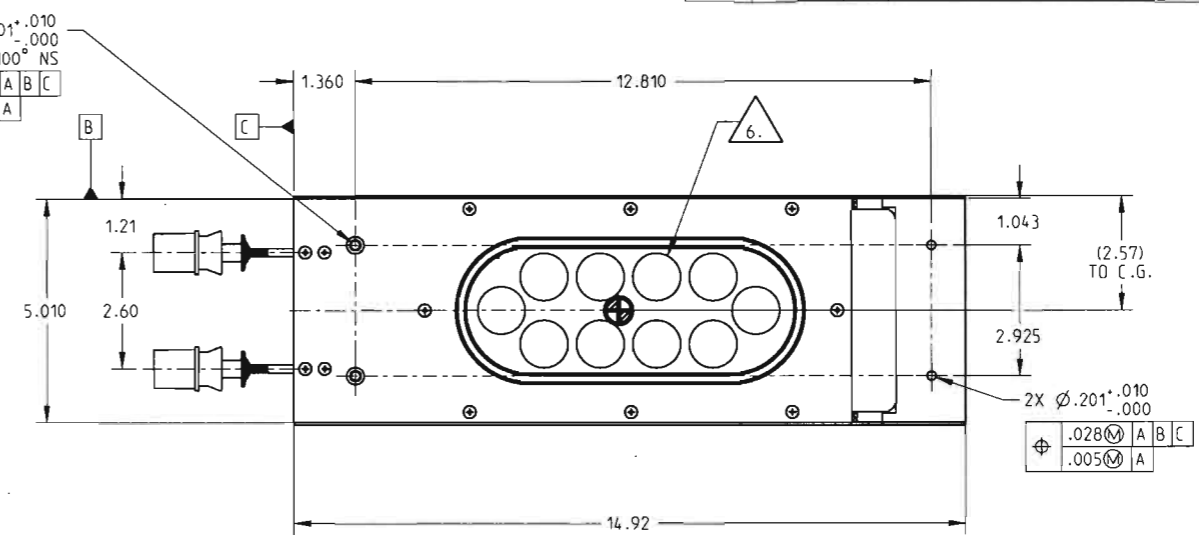
DWG NO. 900-132108				SH 1	REV N/C
REVISION HISTORY					
ECN	SHT	ZONE	REV	DESCRIPTION	DATE
55328			N/C	RELEASED	4/29/15

NOTES: UNLESS OTHERWISE SPECIFIED

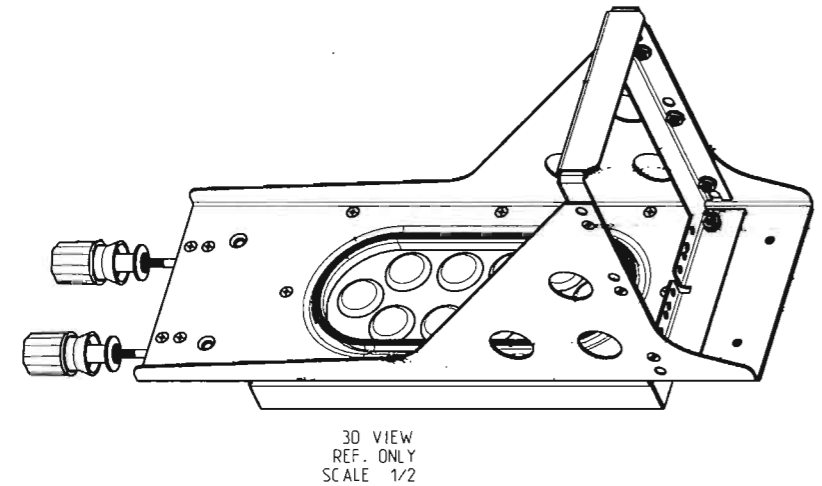
GENERAL NOTES:

- DIMENSIONS AND TOLERANCES PER ASME Y14.5M-1994.
- DESIGNED TO MEET THE APPLICABLE REQUIREMENTS OF THE FOLLOWING:
 - A. ARINC 600-19: 4 MCU
 - B. RTCA/DO-160G ENVIRONMENTAL TEST CONDITIONS:
 - TEMPERATURE: CAT A2
 - ALTITUDE: CAT A2
 - TEMP VARIATION: CAT B
 - HUMIDITY: CAT A
 - OPERATIONAL SHOCK: CAT B
 - CRASH SAFETY: SUSTAINED, TABLE 7-1, FIXED WING TRANSPORT A/C, RANDOM ORIENTATION
 - VIBRATION: CAT S, CURVE B2
- TRAY AND CONNECTOR PLATE FINISH: CLEAR CHEM FILM PER MIL-DTL-5541, TYPE II, CLASS 3.
- APPROXIMATE LOCATION OF CENTER OF GRAVITY SHOWN AS

- MAXIMUM ENVELOPE OF HOLD DOWN.
- REMOVE METERING PLUGS PRIOR TO INSTALLING THE LRU ON AIRCRAFT.



INSERTION EXTRACTION HOLD DOWN P/N: 200-33899-101 (SHOWN) OR ALTERNATE HOLD DOWN P/N 10344-101



CarlisleIT PART NO.: 200-10682-101

PRODUCT SPECIFICATION DRAWING

THIRD ANGLE PROJECTION	-	-	-	WEIGHTS	-	-	UNLESS OTHERWISE SPECIFIED: DIMENSIONS ARE IN INCHES. DO NOT SCALE DRAWING. TOLERANCES ARE:	SIMILAR TO	-
	-	-	-	STRESS	-	-	FRACTIONS	DECIMALS	ANGULAR
	-	-	-	MASTER DATA	-	-	.X ± 0.1	.XX ± 0.03	X ± 3.0°
	-	-	-	TREATMENT	-	-	.XXX ± 0.010	.XXXX ± 0.0020	X ± 0.5°
	-	-	-	FINISH	-	-			
CAD GENERATED DOCUMENT ANY CHANGES TO THIS DOCUMENT MUST BE SUBMITTED TO THE DESIGN/DRAFTING DEPARTMENT FOR PROPER UPDATE	1	FINAL	173887	PRODUCTION	-	-			
QTY REQ'D TO	FINAL/ NEXT DRAWING	PROJECT NO.	QUALITY ASSURANCE						
APPLICATION		ADDITIONAL APPROVALS	DATE						
SHEET AREA SQ INCHES	FAB SQ INCHES	SCALE	WT LBS						
-	-	-	2.330						

CARLISLE Carlisle Interconnect Technologies Franklin WI, 53132 (414) 421-5300

TRAY ASSEMBLY, BOTTOM FAN, 4 MCU S/S

DRAWN: G.BADY 4/14/15
 CHECKED: L.GORALSKI 4/14/15
 DATE: 4/29/15

SIZE: D 66197 A
 LEVEL: A
 DWG NO.: 900-132108
 SHEET: 1 of 1