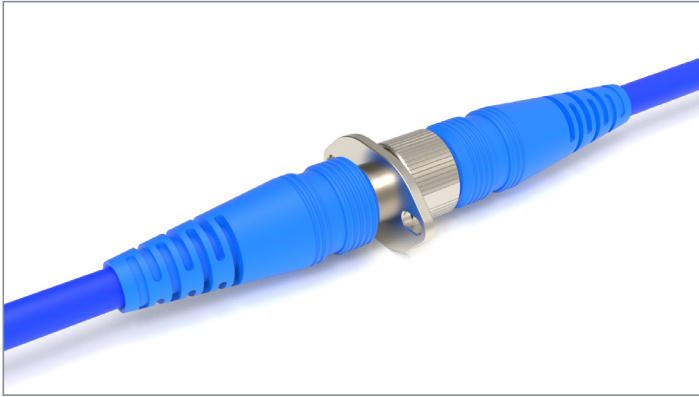
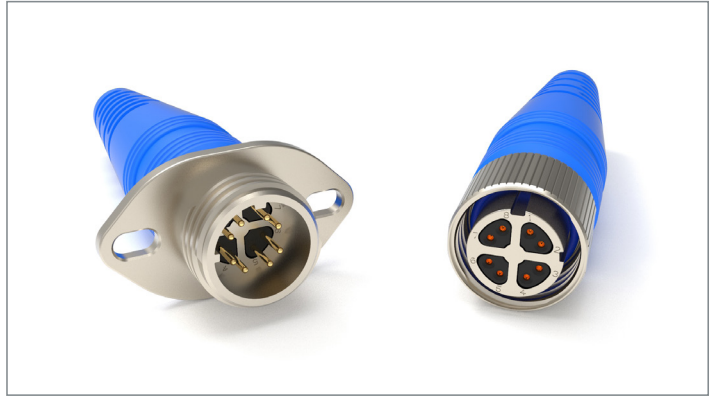


Octax® LT High-Performance Single-Port 10 Gb Data Connector

ENGINEERED FOR AIRBORNE APPLICATIONS



Mated Octax LT



Octax LT Plug & Bulkhead Receptacle

The Octax® LT connector series is a high-performance single-port 10 Gb data connector engineered for airborne applications. This very compact stand-alone connector solution combines multiple key configurations, extends the shield through the connector, and offers the ease of standard 22 gauge crimp contact terminations, making it ideal for commercial aviation use.

Key Characteristics:

- » Use standard M39029 22D crimp contacts, enabling re-termination and field repair without the expense of single-use connector solutions
- » Engineered for use with our 26 or 24 AWG 10 Gb data cables for optimum performance
- » Silicone boot included to provide environmental protection
- » Two-hole mounting allows use in very tight spaces
- » Connectors exceed CAT 7 Ethernet performance standards
- » Extremely low weight (6.0 gram receptacle and 7.0 gram plug)

FEATURES	BENEFITS
Electroless nickel-plated, die-cast, aluminum shell design	<ul style="list-style-type: none"> • Durable and lightweight with great EMI performance
Altitude immersion up to 50,000 feet	<ul style="list-style-type: none"> • Ideal for commercial and business aviation
Durable latching system	<ul style="list-style-type: none"> • Robust vibration resistant mating
EMI banding system	<ul style="list-style-type: none"> • Superior EMI protection
Standard M39029 crimp contacts	<ul style="list-style-type: none"> • Standard contacts mean easy and inexpensive termination and rework when needed
Compatible with 26 & 24 AWG Gigabit Series Ethernet cables	<ul style="list-style-type: none"> • Choose either a lower weight cable or a larger gauge for longer runs
Field-terminable	<ul style="list-style-type: none"> • Standard tools and contacts means easy termination on wing

Octax® LT High-Performance Single-Port 10 Gb Data Connector

ENGINEERED FOR AIRBORNE APPLICATIONS

Plug: P/N Configurator & Dimensional Drawing

OCTAXLT P S X X

PLUG

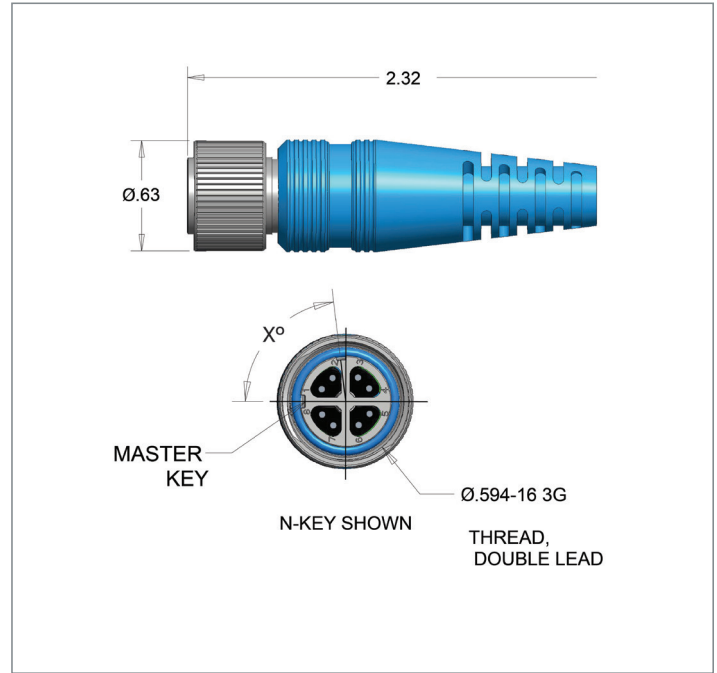
SOCKET CONTACT

SHELL FINISH

F - ELECTROLESS NICKEL
W - CADMIUM PER AMS-QQ-P-416

KEY POSITION

KEYWAY ID	X deg
MASTER	0
N	85
A	95
B	175
C	185
D	265
E	275



Receptacle: P/N Configurator & Dimensional Drawing

OCTAXLT FMR P X X

FLANGE RECEPTACLE

PIN CONTACT

SHELL FINISH

F - ELECTROLESS NICKEL
W - CADMIUM PER AMS-QQ-P-416

KEY POSITION

KEYWAY ID	X deg
MASTER	0
N	85
A	95
B	175
C	185
D	265
E	275

